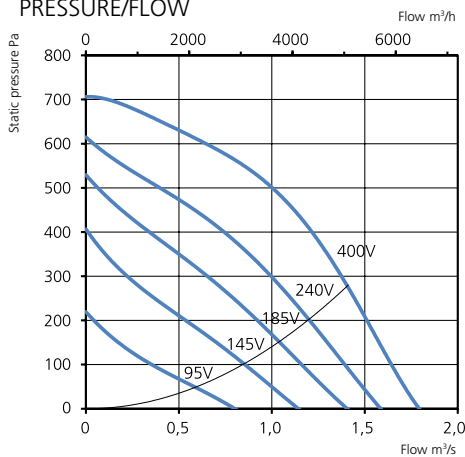
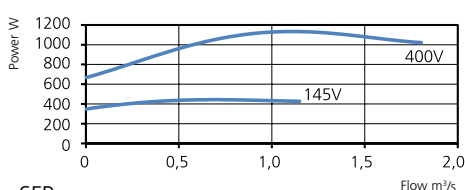
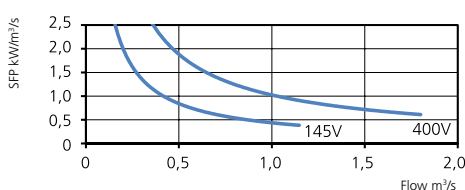


INSULATED DUCT FAN WITH CIRCULAR CONNECTIONS
IRB 500 E3

 7890119
 IRB 500 E3


- Insulated duct fan with circular connections.
- Equipped with 50 mm of thermal and acoustic insulation makes it ideal for handling cold air.
- Designed for high pressure and long, complicated duct runs.
- The design prioritise functionality, durability and longevity.
- Operational in both 50 and 60 Hz.
- Impeller with backward curved blades.
- The external rotor motor has maintenance-free sealed ball-bearings.
- Integrated motor protection.
- Junction box has enclosure class IP 54.
- For speed control a transformer can be connected.
- The housing is manufactured from galvanized sheet steel.
- Duct connections are equipped with rubber seals.
- The fan is intended to be installed in a duct system.
- A duct connected fan can be installed outside or in damp environments.


PRESSURE/FLOW

POWER/FLOW

SFP

TECHNICAL DATA

Voltage	400 V
Frequency	50 Hz (60 Hz)
Phase	3 ~
Current	2.58 A
Power	1130 W
Speed	1371 r.p.m.
Max. temp of transported air	80 °C
Sound pressure level, 3 m	58 dB(A)
Weight	89.2 kg
Enclosure class	54 IP
Wiring diagram	4040004

ACCESSORIES

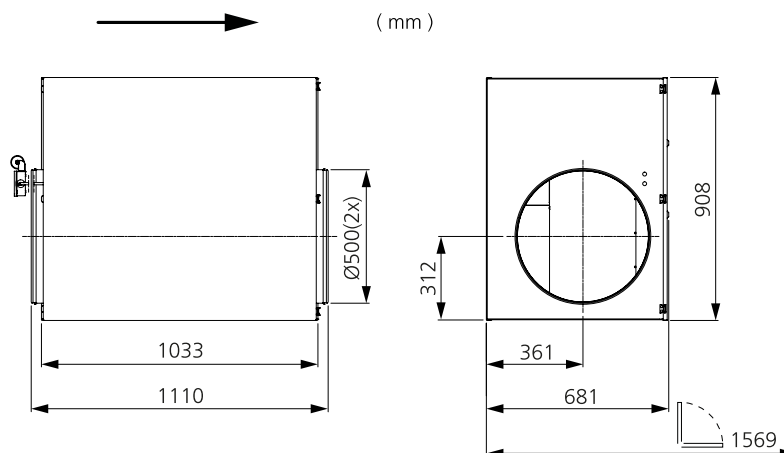
- Mounting clamp MK 500
- Safety grille BSV 500
- Back draught shutter RSK 500
- Louvre shutter VK 500
- Transformer controller VRDT 4
- Transformer controller VRTT 4

SOUND DATA

	L_{WA} tot dB (A)	63	125	250	500	1K	2K	4K	8K
Surrounding 400 V	65	50	63	60	50	41	39	36	32
Outlet 400 V	81	64	78	74	71	70	65	63	62
Inlet 400 V	73	61	72	64	53	51	49	47	46
Inlet 240 V	69	58	68	59	48	47	45	43	42
Inlet 185 V	67	55	66	56	43	42	41	41	37
Inlet 145 V	62	54	61	50	37	38	36	37	32
Inlet 95 V	53	51	48	39	27	29	33	27	23

MORE INFORMATION

 Find out the latest updated information about this product by visiting www.ostberg.com or scanning this QR code.

DIMENSIONS

ÖSTBERG