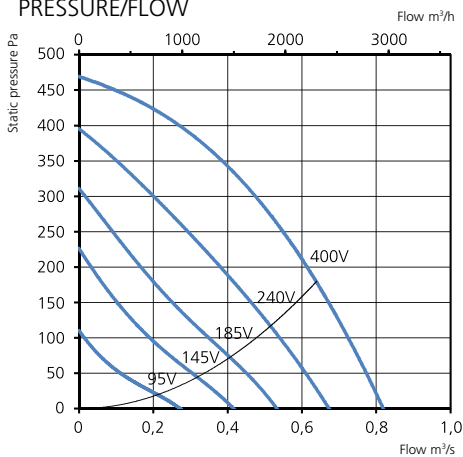
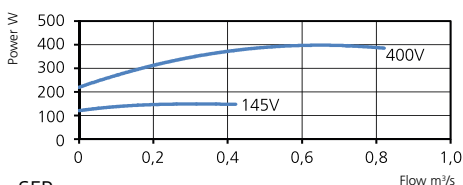
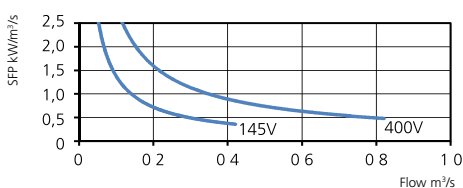


INSULATED DUCT FAN WITH CIRCULAR CONNECTIONS
IRB 355 D3

 7890115
 IRB 355 D3


- Insulated duct fan with circular connections.
- Equipped with 50 mm of thermal and acoustic insulation makes it ideal for handling cold air.
- Designed for high pressure and long, complicated duct runs.
- The design prioritise functionality, durability and longevity.
- Impeller with backward curved blades.
- The external rotor motor has maintenance-free sealed ball-bearings.
- Integrated motor protection.
- Junction box has enclosure class IP 54.
- For speed control a transformer or electronic speed controller can be connected.
- The housing is manufactured from galvanized sheet steel.
- Duct connections are equipped with rubber seals.
- The fan is intended to be installed in a duct system.
- A duct connected fan can be installed outside or in damp environments.


PRESSURE/FLOW

POWER/FLOW

SFP

TECHNICAL DATA

Voltage	400 V
Frequency	50 Hz
Phase	3 ~
Current	0.76 A
Power	397 W
Speed	1340 r.p.m.
Max. temp of transported air	70 °C
Sound pressure level, 3 m	52 dB(A)
Weight	46.7 kg
Enclosure class	54 IP
Wiring diagram	4040004

ACCESSORIES

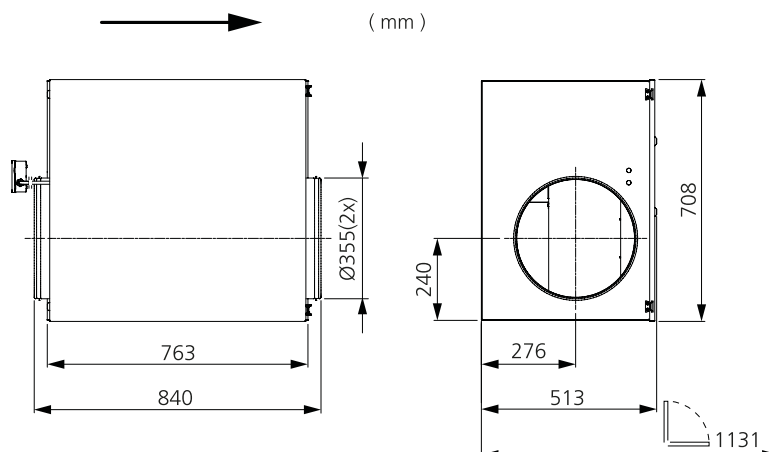
- Mounting bracket Kit Universal
- Mounting clamp MK 355
- Safety grille BSV 355
- Back draught shutter RSK 355
- Louvre shutter VK 355
- Transformer controller VRTT 1
- Transformer controller VRDT 2

SOUND DATA

	L_{wa} tot dB (A)	63	125	250	500	1K	2K	4K	8K
Surrounding 400 V	59	45	57	54	42	37	32	30	28
Outlet 400 V	75	63	73	70	61	59	56	54	48
Inlet 400 V	70	60	68	63	52	42	40	37	35
Inlet 240 V	64	56	62	57	43	35	33	32	27
Inlet 185 V	59	54	56	52	35	28	28	28	21
Inlet 145 V	53	51	45	45	27	22	25	20	13
Inlet 95 V	41	40	34	33	15	17	18	13	9

MORE INFORMATION

 Find out the latest updated information about this product by visiting www.ostberg.com or scanning this QR code.

DIMENSIONS

ÖSTBERG