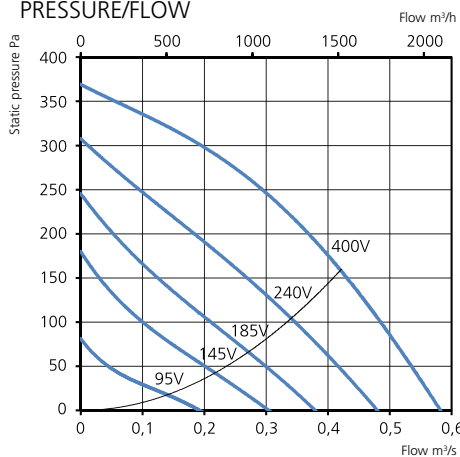
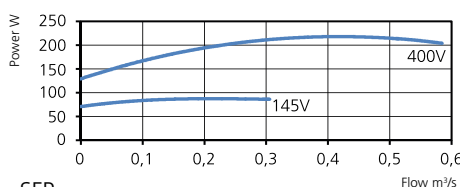
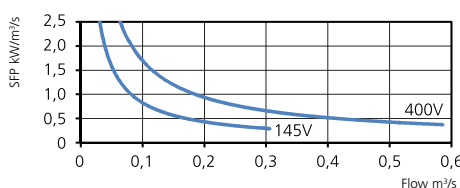


INSULATED DUCT FAN WITH CIRCULAR CONNECTIONS
IRB 315 B3

 7890113
 IRB 315 B3


- Insulated duct fan with circular connections.
- Equipped with 50 mm of thermal and acoustic insulation makes it ideal for handling cold air.
- Designed for high pressure and long, complicated duct runs.
- The design prioritise functionality, durability and longevity.
- Impeller with backward curved blades.
- The external rotor motor has maintenance-free sealed ball-bearings.
- Integrated motor protection.
- Junction box has enclosure class IP 54.
- For speed control a transformer can be connected.
- The housing is manufactured from galvanized sheet steel.
- The fan is intended to be installed in a duct system.
- A duct connected fan can be installed outside or in damp environments.


PRESSURE/FLOW

POWER/FLOW

SFP

TECHNICAL DATA

Voltage	400 V
Frequency	50 Hz
Phase	3 ~
Current	0.42 A
Power	215 W
Speed	1350 r.p.m.
Max. temp of transported air	80 °C
Sound pressure level, 3 m	47 dB(A)
Weight	43.4 kg
Enclosure class	54 IP
Wiring diagram	4040004

ACCESSORIES

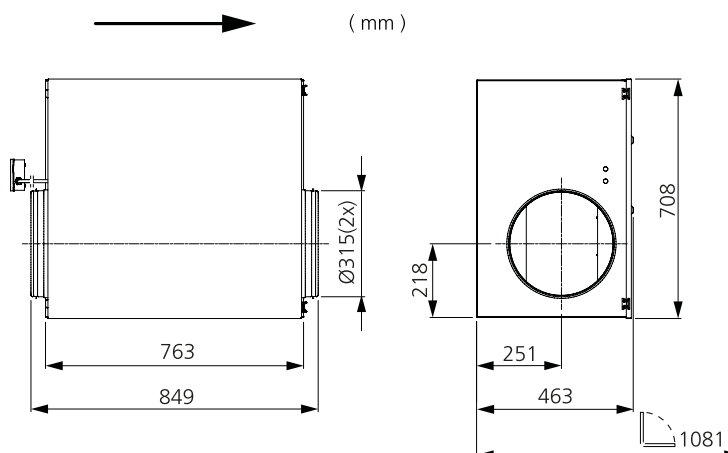
- Mounting bracket Kit Universal
- Mounting clamp MK 315
- Safety grille BSV 315
- Back draught shutter RSK 315
- Louvre YG 315
- Louvre shutter VK 315
- Filterbox FLK 315
- Filterbox FLF 315
- Silencer LDC 315
- Transformer controller VRTT 1
- Transformer controller VRDT 2

SOUND DATA

	L _{WA} tot dB (A)	63	125	250	500	1K	2K	4K	8K
Surrounding 400 V	54	39	51	51	37	36	31	29	28
Outlet 400 V	70	55	68	64	53	53	51	50	38
Inlet 400 V	64	53	62	57	41	35	35	32	29
Inlet 240 V	62	50	62	51	35	30	30	29	25
Inlet 185 V	56	49	55	46	29	26	27	25	19
Inlet 145 V	47	44	41	38	23	25	24	14	11
Inlet 95 V	35	31	29	29	12	18	14	13	10

MORE INFORMATION

 Find out the latest updated information about this product by visiting www.ostberg.com or scanning this QR code.

DIMENSIONS

ÖSTBERG