

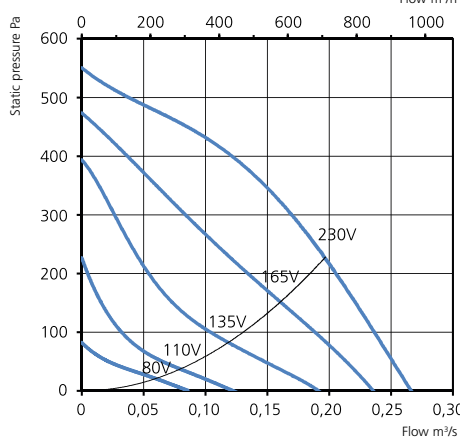
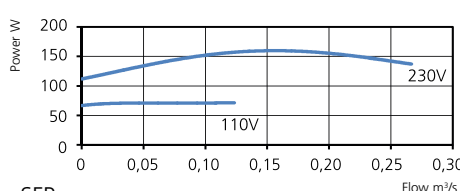
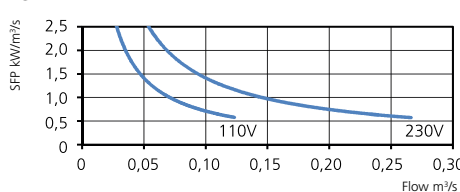
INSULATED DUCT FAN WITH CIRCULAR CONNECTIONS
IRB 200 B1

7880036

IRB 200 B1



- Insulated duct fan with circular connections.
- Equipped with 50 mm of thermal and acoustic insulation makes it ideal for handling cold air.
- Designed for high pressure and long, complicated duct runs.
- The design prioritise functionality, durability and longevity.
- Impeller with backward curved blades.
- The external rotor motor has maintenance-free sealed ball-bearings.
- Integrated motor protection.
- Junction box has enclosure class IP 54.
- For speed control a transformer or electronic speed controller can be connected.
- The housing is manufactured from galvanized sheet steel.
- Duct connections are equipped with rubber seals.
- The fan is intended to be installed in a duct system.
- A duct connected fan can be installed outside or in damp environments.


PRESSURE/FLOW

POWER/FLOW

SFP

TECHNICAL DATA

Voltage	230 V
Frequency	50 Hz
Phase	1 ~
Current	0,7 A
Power	160 W
Speed	2700 r.p.m.
Max. temp of transported air	80 °C
Sound pressure level, 3 m	48 dB(A)
Weight	19.7 kg
Enclosure class	44 IP
Wiring diagram	4040001

ACCESSORIES

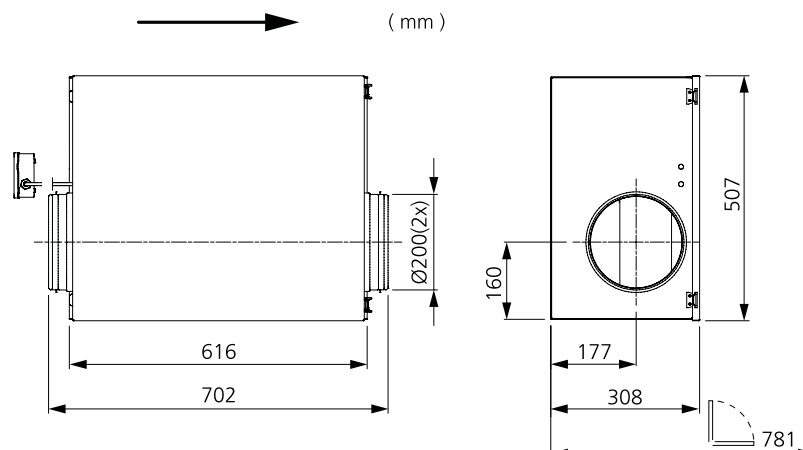
- Mounting bracket Kit Universal
- Mounting clamp MK 200
- Safety grille BSV 200
- Back draught shutter RSK 200
- Louvre YG 200
- Louvre shutter VK 200
- Filterbox FLK 200
- Filterbox FLF 200
- Silencer LDC 200
- Transformer controller VRTE C
- Transformer controller VRDE 1.5
- Speed controller VRS 1.0

SOUND DATA

	L _{wa} tot dB (A)	63	125	250	500	1K	2K	4K	8K
Surrounding 230 V	55	35	42	53	48	40	37	32	29
Outlet 230 V	73	60	62	68	66	63	62	58	60
Inlet 230 V	65	54	60	62	57	48	41	40	39
Inlet 165 V	64	50	57	63	50	41	35	35	34
Inlet 135 V	58	44	53	56	40	30	26	32	19
Inlet 110 V	54	43	53	41	29	21	23	19	5
Inlet 80 V	51	37	51	33	21	12	9	4	4

MORE INFORMATION

 Find out the latest updated information about this product by visiting www.ostberg.com or scanning this QR code.

DIMENSIONS

ÖSTBERG