

### INSULATED DUCT FAN WITH CIRCULAR CONNECTIONS

## IRB 200 A1

7880035

IRB 200 A1

- Insulated duct fan with circular connections.
- Equipped with 50 mm of thermal and acoustic insulation makes it ideal for handling cold air.
- Designed for high pressure and long, complicated duct runs.
- The design prioritise functionality, durability and longevity.
- Impeller with backward curved blades.
- The external rotor motor has maintenance-free sealed ball-bearings.
- Integrated motor protection.
- Junction box has enclosure class IP 54.
- For speed control a transformer or electronic speed controller can be connected.
- The housing is manufactured from galvanized sheet steel.
- Duct connections are equipped with rubber seals.
- The fan is intended to be installed in a duct system.
- A duct connected fan can be installed outside or in damp environments.
- To comply with the ErP 2018 regulation, a local demand controller must be used.



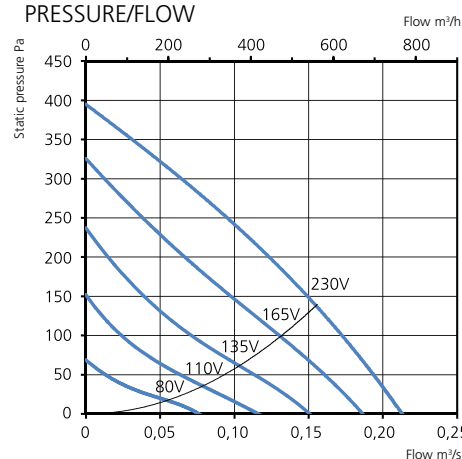
#### ACCESSORIES

- Mounting bracket Kit Universal
- Mounting clamp MK 200
- Safety grille BSV 200
- Back draught shutter RSK 200
- Louvre YG 200
- Louvre shutter VK 200
- Filterbox FLK 200
- Filterbox FLF 200
- Silencer LDC 200
- Transformer controller VRTE C
- Transformer controller VRDE 1.5
- Speed controller VRS 0.5
- Local Demand Controller Kit

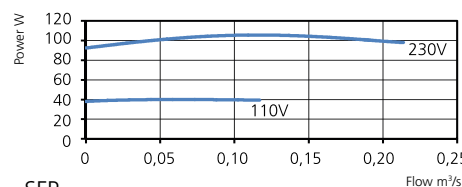
#### TECHNICAL DATA

<b>Voltage</b>	230 V
<b>Frequency</b>	50 Hz
<b>Phase</b>	1 ~
<b>Current</b>	0.46 A
<b>Power</b>	105 W
<b>Speed</b>	2520 r.p.m.
<b>Max. temp of transported air</b>	75 °C
<b>Sound pressure level, 3 m</b>	45 dB(A)
<b>Weight</b>	19 kg
<b>Enclosure class</b>	44 IP
<b>Wiring diagram</b>	4040001

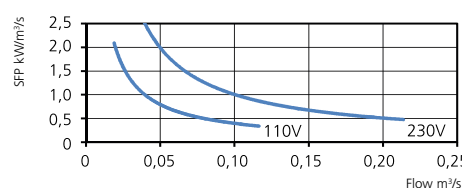
#### PRESSURE/FLOW



#### POWER/FLOW



#### SFP



#### SOUND DATA

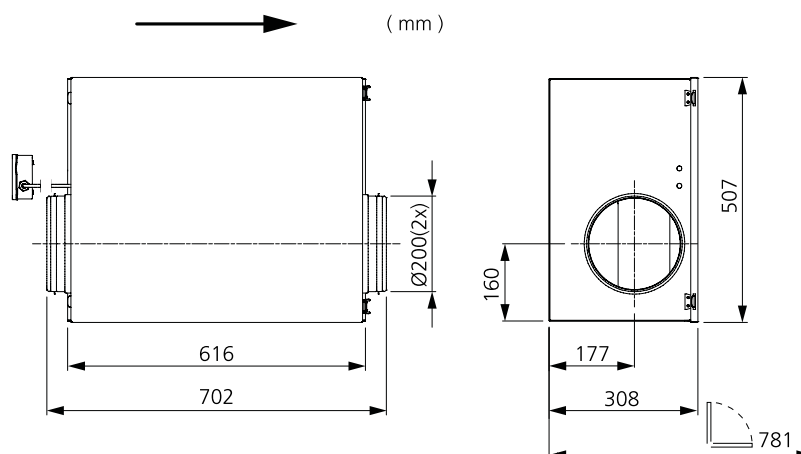
	L <sub>wa</sub> tot dB (A)	63	125	250	500	1K	2K	4K	8K
<b>Surrounding 230 V</b>	52	30	37	51	40	36	36	29	28
<b>Outlet 230 V</b>	69	52	59	65	61	57	60	56	49
<b>Inlet 230 V</b>	62	50	58	58	49	42	41	39	33
<b>Inlet 165 V</b>	60	47	55	57	44	37	36	33	27
<b>Inlet 135 V</b>	56	43	51	54	39	31	31	26	18
<b>Inlet 110 V</b>	49	39	47	42	31	24	25	14	7
<b>Inlet 80 V</b>	47	33	46	32	21	14	10	5	5

#### MORE INFORMATION



Find out the latest updated information about this product by visiting [www.ostberg.com](http://www.ostberg.com) or scanning this QR code.

#### DIMENSIONS



**ÖSTBERG**