

INSULATED DUCT FAN WITH CIRCULAR CONNECTIONS

IRB 125 B1

7880041
IRB 125 B1

- Insulated duct fan with circular connections.
- Equipped with 50 mm of thermal and acoustic insulation makes it ideal for handling cold air.
- Designed for high pressure and long, complicated duct runs.
- The design prioritise functionality, durability and longevity.
- Operational in both 50 and 60 Hz.
- Impeller with backward curved blades.
- The external rotor motor has maintenance-free sealed ball-bearings.
- Integrated motor protection.
- Junction box has enclosure class IP 54.
- For speed control a transformer or electronic speed controller can be connected.
- The housing is manufactured from galvanized sheet steel.
- Duct connections are equipped with rubber seals.
- The fan is intended to be installed in a duct system.
- A duct connected fan can be installed outside or in damp environments.



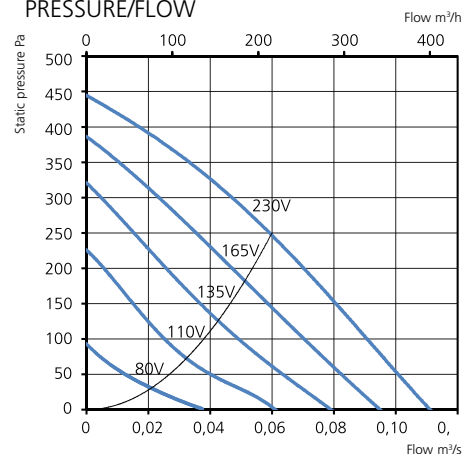
ACCESSORIES

- Mounting bracket Kit Universal
- Mounting clamp MK 125
- Safety grille BSV 125
- Back draught shutter RSK 125
- Louvre YG 125
- Louvre shutter VK 125
- Filterbox FLK 125
- Filterbox FLF 125
- Silencer LDC 125
- Transformer controller VRTE C
- Transformer controller VRDE 1.5
- Speed controller VRS 0.5

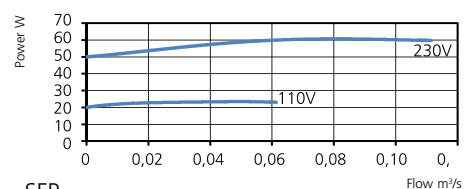
TECHNICAL DATA

Voltage	230 V
Frequency	50 Hz
Phase	1 ~
Current	0.26 A
Power	61 W
Speed	2590 r.p.m.
Max. temp of transported air	80 °C
Sound pressure level, 3 m	37 dB(A)
Weight	11.6 kg
Enclosure class	44 IP
Wiring diagram	4040001

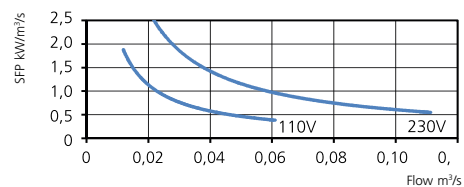
PRESSURE/FLOW



POWER/FLOW



SFP



SOUND DATA

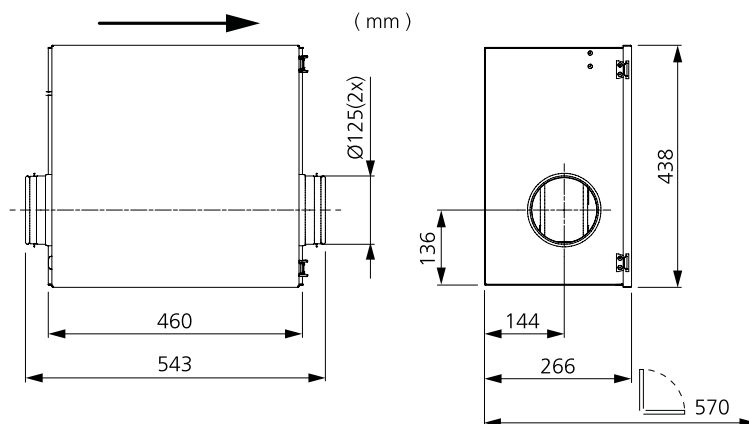
	L_{WA} tot dB (A)	63	125	250	500	1K	2K	4K	8K
Surrounding 230 V	44	29	32	41	37	31	30	29	29
Outlet 230 V	69	53	58	63	65	62	59	53	47
Inlet 230 V	52	40	49	46	39	35	36	31	22
Inlet 165 V	48	35	45	44	36	31	32	25	17
Inlet 135 V	45	32	42	40	32	27	26	19	10
Inlet 110 V	39	28	37	31	26	20	16	8	4
Inlet 80 V	32	24	28	26	16	9	3	3	3

MORE INFORMATION



Find out the latest updated information about this product by visiting www.ostberg.com or scanning this QR code.

DIMENSIONS



ÖSTBERG