

IRB 600x300 B3

- Insulated duct fan with rectangular connections.
- Equipped with 50 mm of thermal and acoustic insulation makes it ideal for handling cold air.
- Designed for high pressure and long, complicated duct runs.
- The design prioritise functionality, durability and longevity.
- Impeller with backward curved blades.
- The external rotor motor has maintenance-free sealed ball-bearings.
- Integrated motor protection.
- Junction box has enclosure class IP 54.
- For speed control a transformer can be connected.
- The housing is manufactured from galvanized sheet steel.
- The fan is intended to be installed in a duct system.
- A duct connected fan can be installed outside or in damp environments.

Accessories

- VRTT 1
- VRDT 2
- MB Universal
- Dukstos 600x300
- LDR 600x300

TECHNICAL DATA

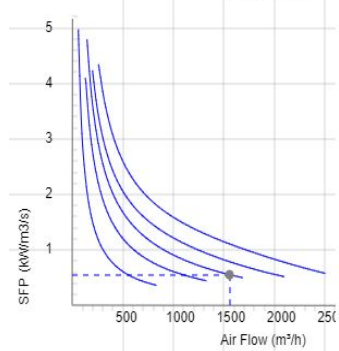
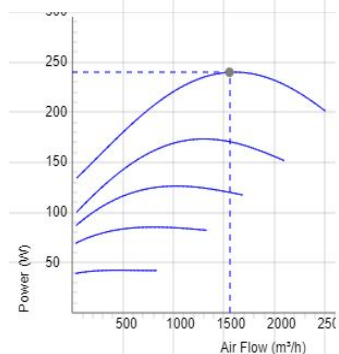
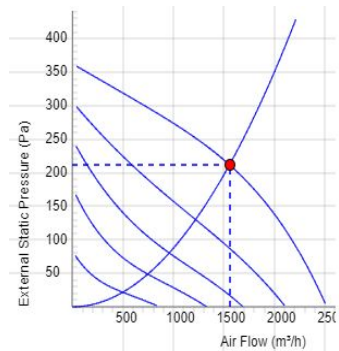
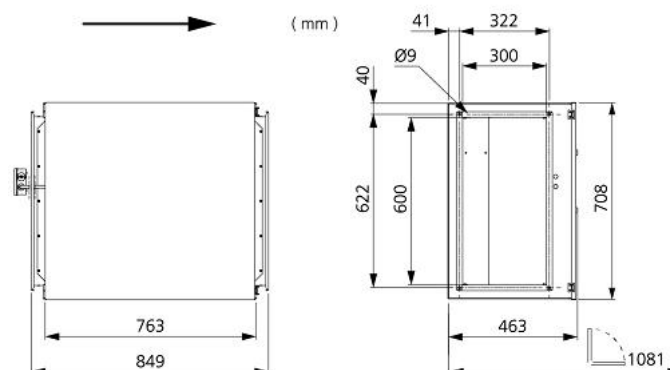
7890104
IRB 600x300 B3

Voltage	400 V
Voltage Delta	230 V
Phase	3 ~
Frequency	50 Hz
Power	240 W
Current	0.45 A
Current when speed controlled	0.46 A
Current Delta	0.78 A
Current Delta when speed controlled	0.8 A
Speed	1340 r.p.m.
Max. temperature of transported air	80 °C
Max. temperature of transported air when speed controlled	80 °C
Sound pressure level at 3 m	52 dB(A)
Weight	45.3 kg
Enclosure class	54 IP
Insulation class, motor	F
Capacitor	- µF
Max. flow @ 0Pa	2516.4070459397 m³/h
Max. pressure	360 Pa
Voltage range	380-415 V

SOUND DATA

	Flow (m³/h)	L _{WA} tot dB (A)	63Hz	125Hz	250Hz	500Hz	1KHz	2KHz	4KHz	8KHz
5. Surrounding Lw dB(A) 400V	2056	59	36	57	53	42	38	33	30	28
5. Outlet Lw dB(A) 400V	1854	72	56	69	67	59	59	54	53	49
5. Inlet Lw dB(A) 400V	1854	65	52	63	58	49	42	41	42	38
4. Inlet Lw dB(A) 240V	1462	58	49	56	51	42	35	35	37	30
3. Inlet Lw dB(A) 185V	1174	52	49	48	44	34	30	29	33	21
2. Inlet Lw dB(A) 145V	878	46	44	40	39	29	25	27	20	11
1. Inlet Lw dB(A) 95V	648	34	30	31	26	17	16	14	12	10

DIMENSIONS



Voltage steps

1	2	3	4	5
95V	145V	185V	240V	400V