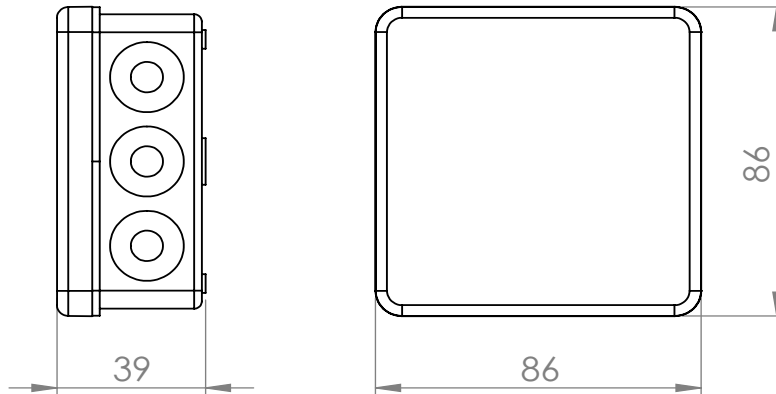


Measures

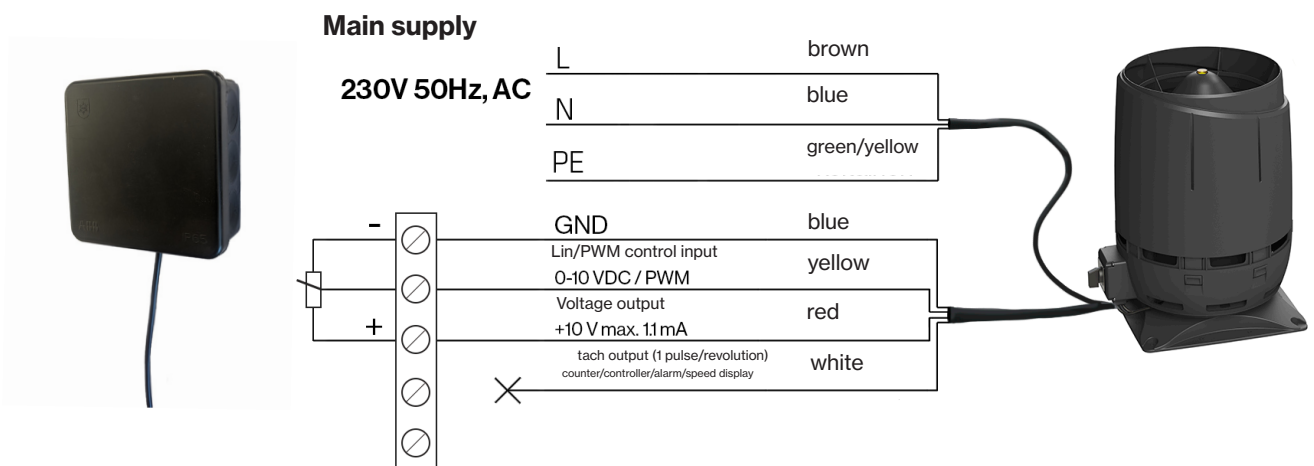


Properties

- Voltage signal: 0-10 V
- IP rating: IP65
- Installation on surface
- Temperature: -30...+80 °C
- Dust and water proof control unit
- Colour: black

Wiring diagrams for roof fans

ECo110 FLOW, ECo125 FLOW, ECo160 FLOW, ECo200 FLOW,
ECo190, ECo220, ECo250



Design

1. Connection box
2. Strain relief
3. Terminal strip
4. Potentiometer board

