

ACCESSORI
ACCESSORIES

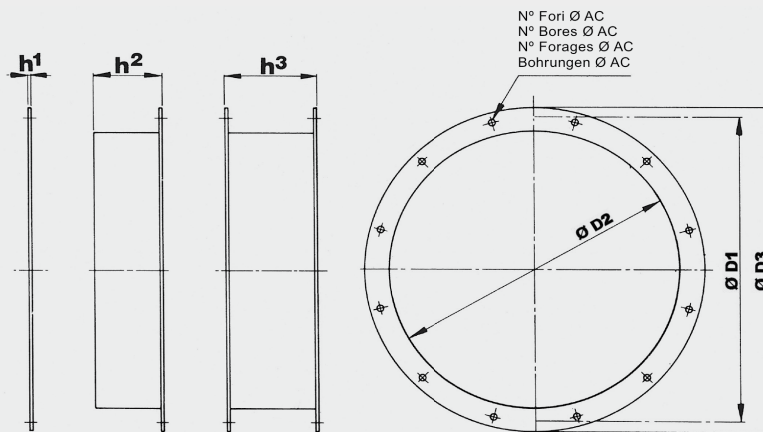
CA (CFH1)
CFH2 CFH3
CONTROFLANGIA DI ACCOPPIAMENTO IN ASPIRANTE
COUNTER-FLANGE

Controflange disponibile in 3 versioni (vedi figura).

Counter-flanges can be supplied in three executions (see figure).

H1: Controflangia piana singola
 H2: Controflangia singola con collare
 H3: Controflangia doppia con collare

*H1: Single plane flange
 H2: Single flange with neck
 H3: Double flange with neck*



Modello Model							Fori Holes		Peso Weight (kg)		
	Ø D2	Ø D1	Ø D3	h1	h2	h3	n°	Ø AC	kg1	kg2	kg3
CA 250	254	292	324	4	50	-	8	10	1,4	2,0	-
CA 280	285	332	365	4	50	-	8	10	2,5	2,2	-
CA 315	320	366	400	4	100	160	8	10	2,8	2,5	5
CA 355	360	405	440	4	100	160	8	10	3,7	3,0	6
CA 400	405	448	485	4	100	160	12	10	3,4	3,5	7
CA 450	455	497	535	5	112	160	12	10	3,8	4,0	8
CA 500	505	551	585	5	112	160	12	10	4,2	4,5	9
CA 560	566	629	666	5	112	160	12	10	6,0	5,5	11
CA 630	636	698	736	5	112	160	12	10	6,7	6,5	13
CA 710	716	775	816	5	125	180	16	12	7,5	8,0	16
CA 800	806	861	906	5	125	180	16	12	8,3	9,5	19
CA 900	906	958	1006	5	125	200	16	12	9,3	11,5	23
CA 1000	1007	1067	1107	6	125	200	24	12	10,3	13,5	27
CA 1120	1128	1200	1248	6	140	224	24	12	17,0	18,0	36
CA 1250	1260	1337	1380	8	140	224	24	12	19,0	22,0	45
CA 1400	1420	1491	1540	8	140	250	32	14	21,0	25,0	50
CA 1600	1610	1663	1730	10	140	250	32	14	24,0	32,0	63
CA 1800	1810	1856	1930	10	160	280	32	14	27,0	40,0	80
CA 2000	2010	2073	2130	12	160	280	32	14	30,0	50,0	100