

6 5 4 3 2 1

D

C

B

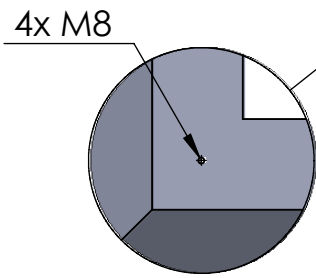
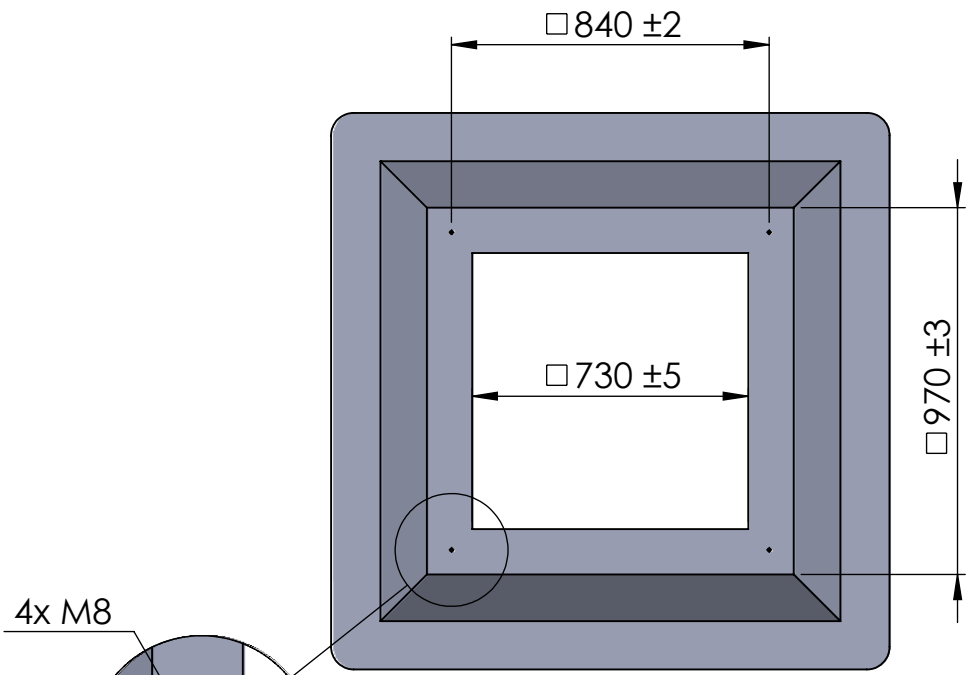
A

D

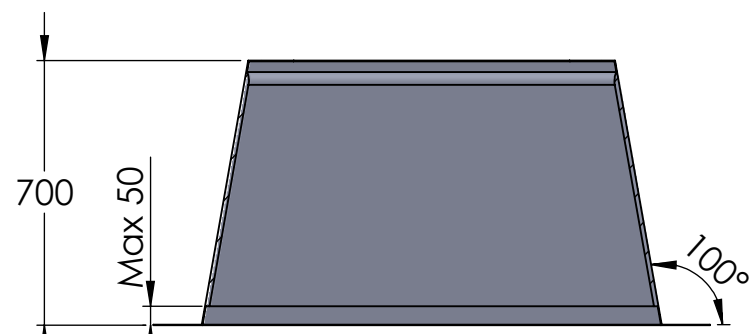
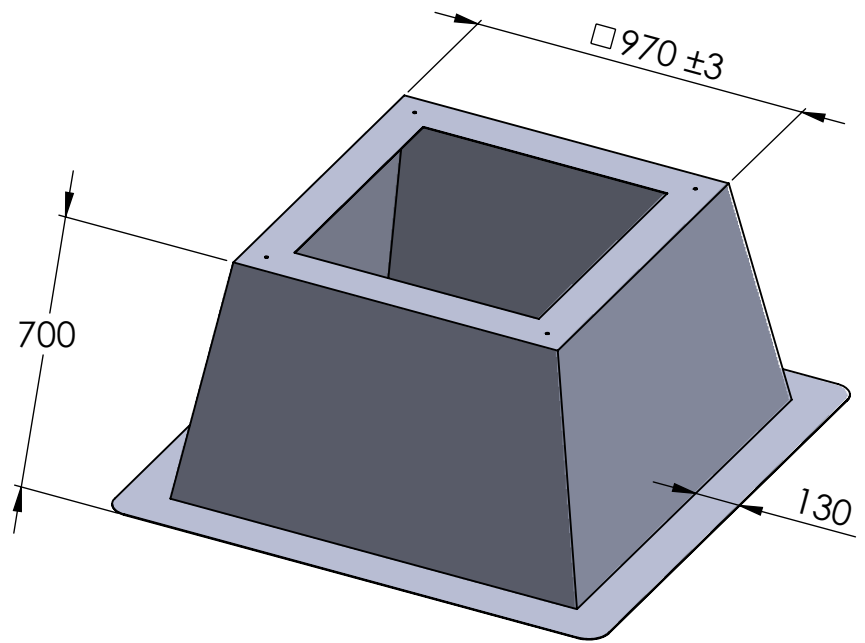
C

B

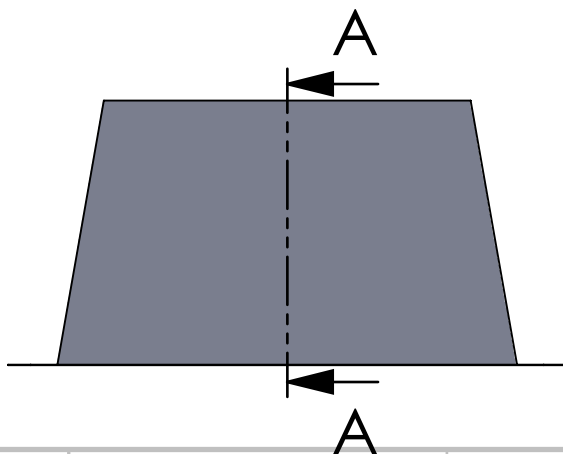
A

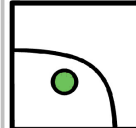


DETAIL B



SECTION A-A



DO NOT SCALE DRAWING	
DIMENSIONS ARE IN MILLIMETERS	
 <b>DE WIT</b> ventilatoren	
DWG NO.	A4
<b>VDO 630</b>	
SCALE:1:20	SHEET 1 OF 1

6 5 4 3 2 1