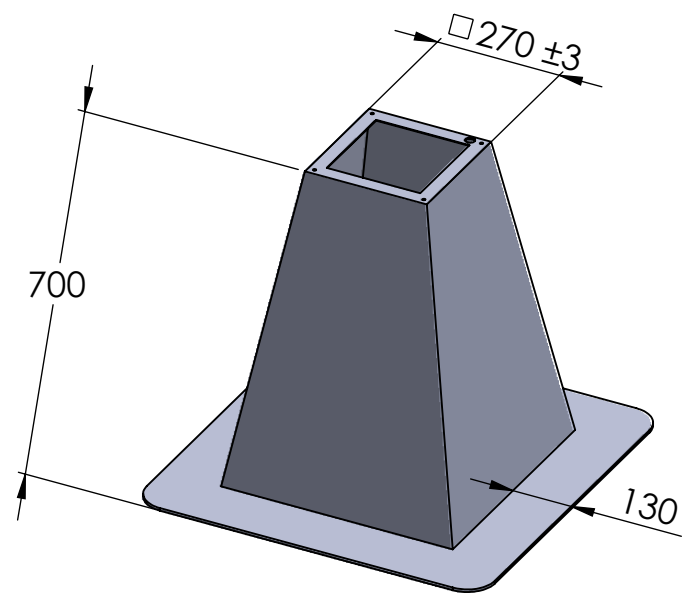
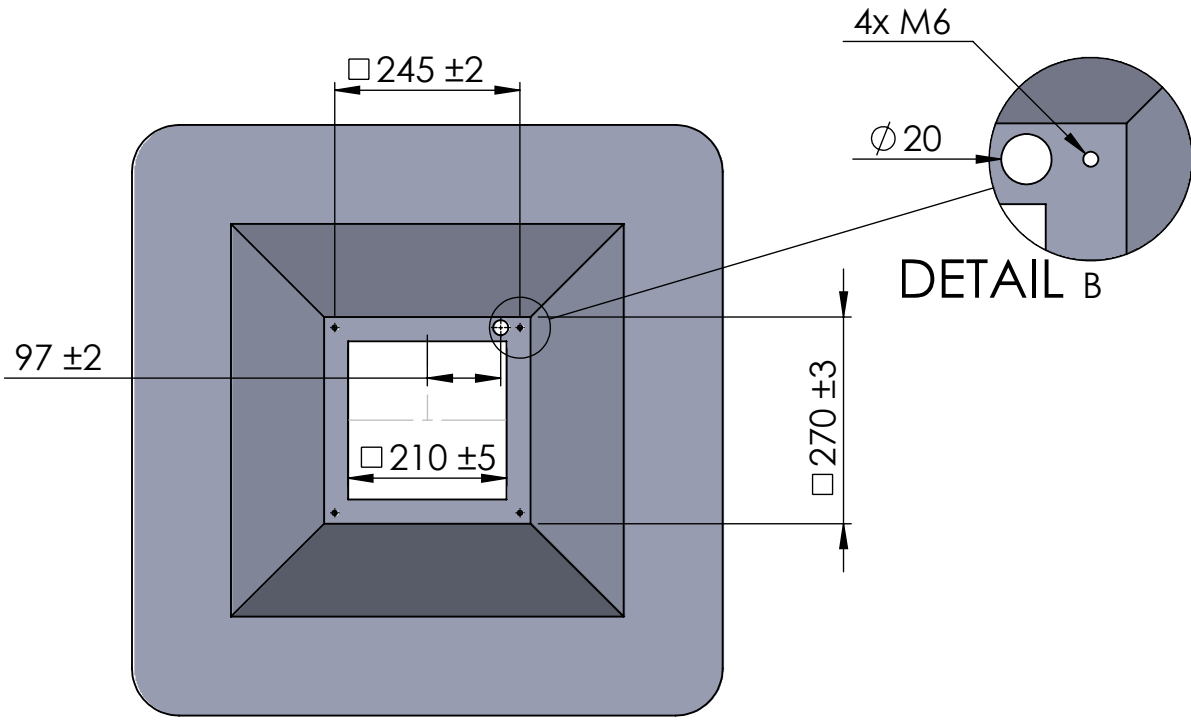


6 5 4 3 2 1

D

D

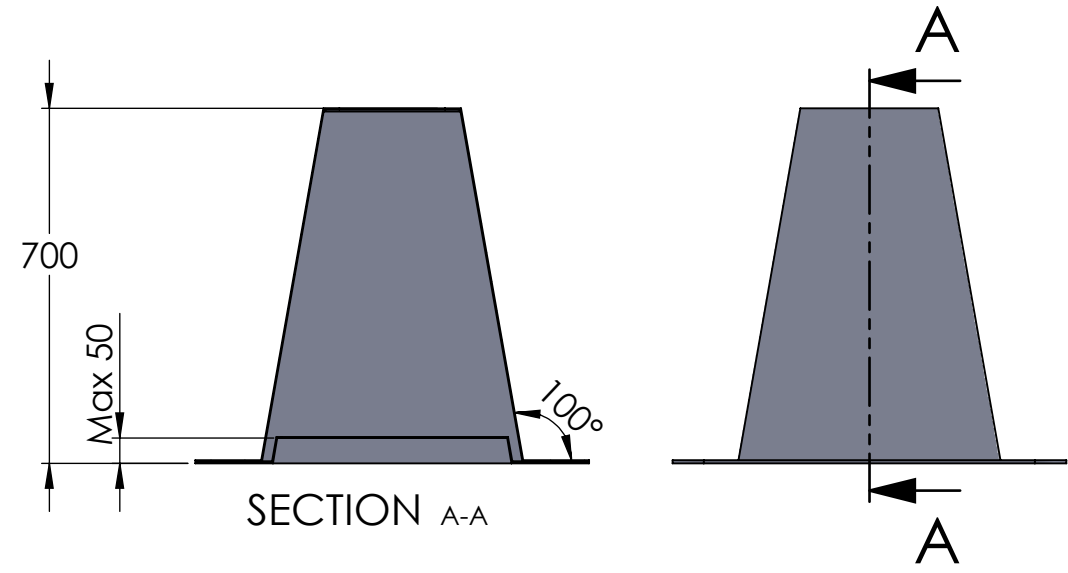


C

C

B

B

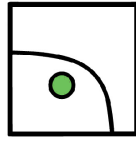


A

A

DO NOT SCALE DRAWING

DIMENSIONS ARE IN MILLIMETERS



DE WIT
ventilatoren

DWG NO. VDO 180

SCALE: 1:20

SHEET 1 OF 1

A4

6 5 4 3 2 1