

6

5

4

3

2

1

D

D

C

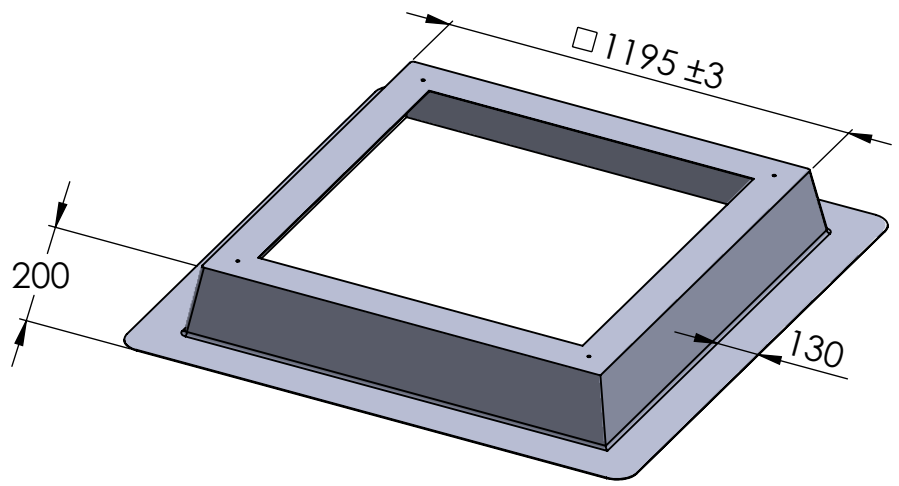
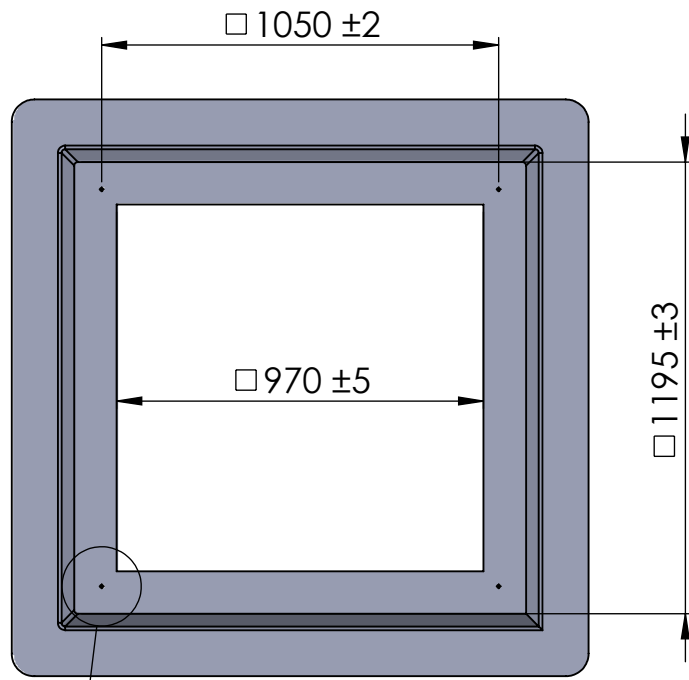
C

B

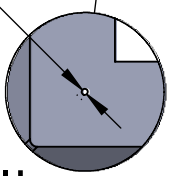
B

A

A



4x M8

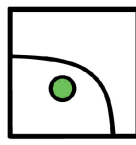


DETAIL A



DO NOT SCALE DRAWING

DIMENSIONS ARE IN MILLIMETERS



DE WIT  
ventilatoren

DWG NO.  
**KDO 710**

SCALE:1:20

SHEET 1 OF 1

A4

6

5

4

3

2

1