

6

5

4

3

2

1

D

D

C

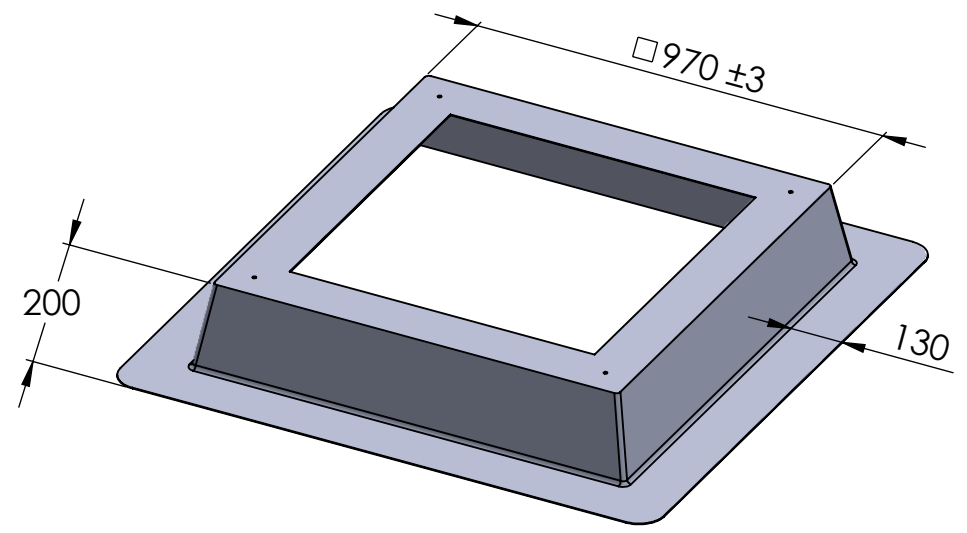
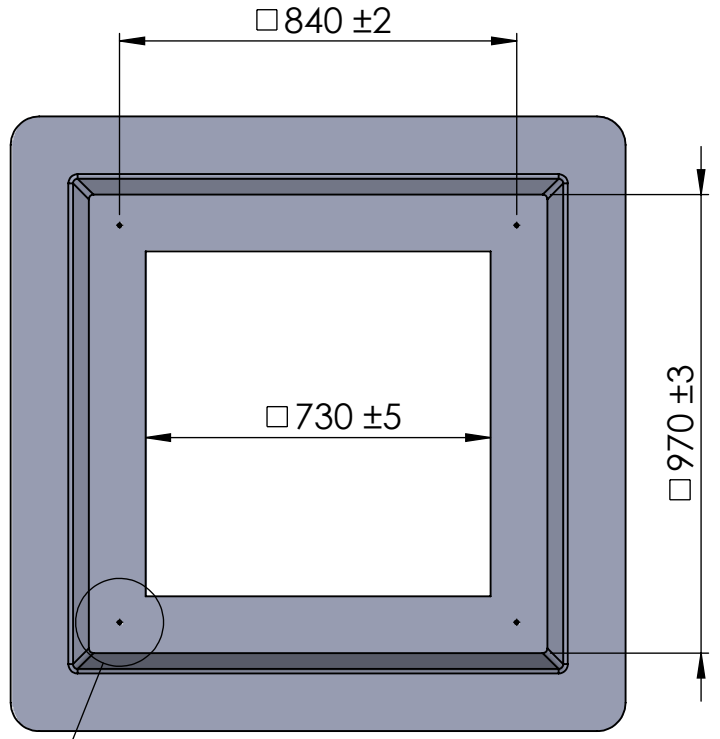
C

B

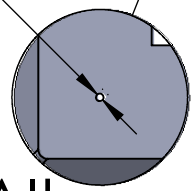
B

A

A



4x M8

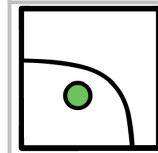


DETAIL A



DO NOT SCALE DRAWING

DIMENSIONS ARE IN MILLIMETERS



DE WIT
ventilatoren

DWG NO.

KDO 630

A4

SCALE:1:16

SHEET 1 OF 1

6

5

4

3

2

1