



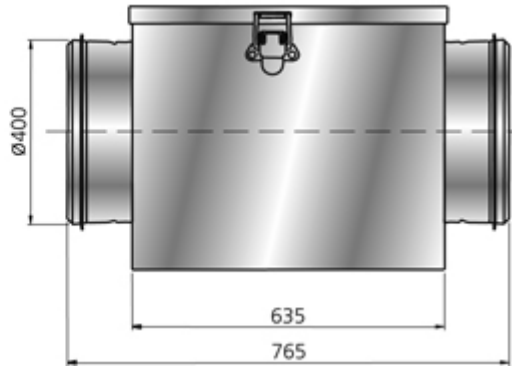
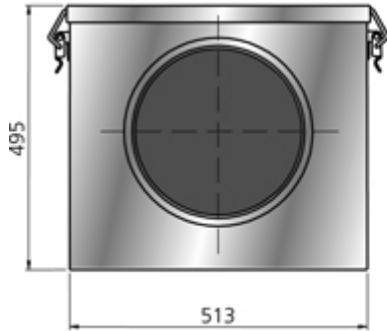
Filterbox FLF 400

The FLF filter box is manufactured from galvanized steel sheet. It is delivered without filter.

Accessories

- FLF 400 Filter

DIMENSIONS



FLF 400 Filter

The FLF filters are designed for use in the FLK filter boxes. There are three different filter types to choose from classified according to EN ISO 16890.

- ePM1 (Fine): Filtration efficiencies 50–95%. Particle size up to 1 µm.
- ePM10: Filtration efficiencies 50–95%. Particle size up to 10 µm.
- Coarse: Filtration efficiencies not required. Particles all sizes.

TECHNICAL DATA	1250085 Filter FLF 400 Coarse 65%	1250086 Filter FLF 400 ePM10 60%	1250087 Filter FLF 400 ePM1 65%
Dimension	506x490x525/4 mm	506x490x525/4 mm	506x490x525/7 mm
Weight	1.20 kg	1.65 kg	2.50 kg

