



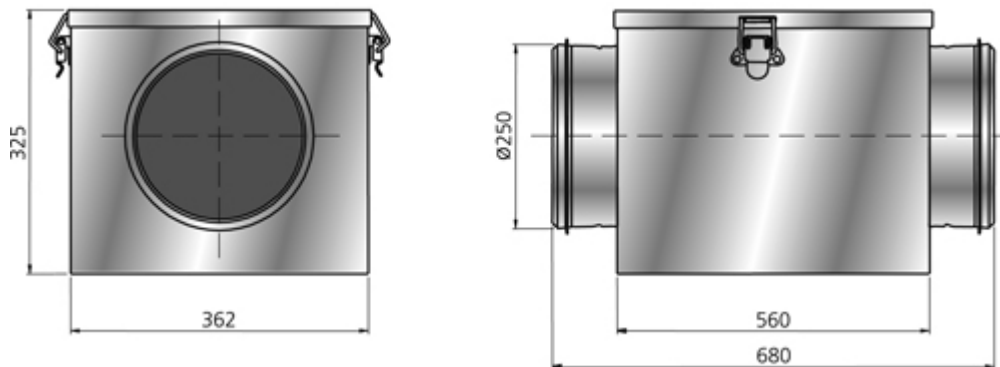
# Filterbox FLF 250

The FLF filter box is manufactured from galvanized steel sheet. It is delivered without filter.

#### Accessories

- FLF 250 Filter

#### DIMENSIONS



# FLF 250 Filter

The FLF filters are designed for use in the FLK filter boxes. There are three different filter types to choose from classified according to EN ISO 16890.

- ePM1 (Fine): Filtration efficiencies 50–95%. Particle size up to 1 µm.
- ePM10: Filtration efficiencies 50–95%. Particle size up to 10 µm.
- Coarse: Filtration efficiencies not required. Particles all sizes.

TECHNICAL DATA	1250079 Filter FLF 250 Coarse 65%	1250080 Filter FLF 250 ePM10 60%	1250081 Filter FLF 250 ePM1 65%
Dimension	356x318x470/3 mm	356x318x470/3 mm	356x318x470/6 mm
Weight	0.80 kg	0.95 kg	1.05 kg