



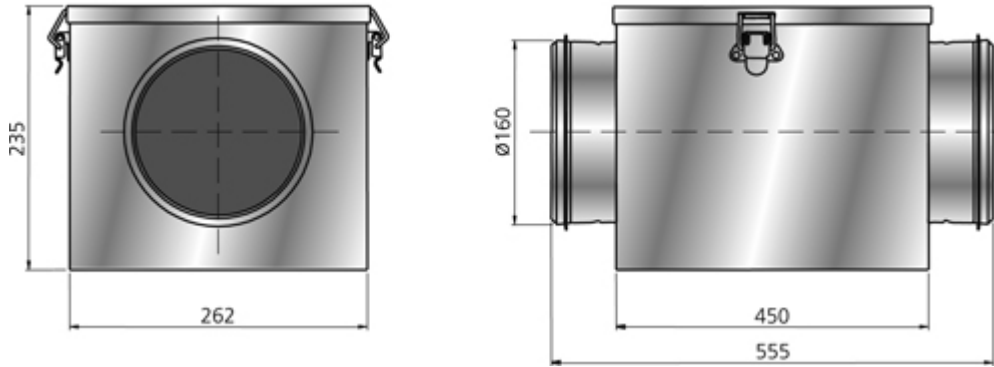
Filterbox FLF 160

The FLF filter box is manufactured from galvanized steel sheet. It is delivered without filter.

Accessories

- FLF 160 Filter

DIMENSIONS



FLF 160 Filter

The FLF filters are designed for use in the FLK filter boxes. There are three different filter types to choose from classified according to EN ISO 16890.

- ePM1 (Fine): Filtration efficiencies 50–95%. Particle size up to 1 μm .
- ePM10: Filtration efficiencies 50–95%. Particle size up to 10 μm .
- Coarse: Filtration efficiencies not required. Particles all sizes.

TECHNICAL DATA	1250073 Filter FLF 160 Coarse 65%	1250074 Filter FLF 160 ePM10 60%	1250075 Filter FLF 160 ePM1 65%
Dimension	256x228x350/2 mm	256x228x350/2 mm	256x228x375/3 mm
Weight	0.45 kg	0.51 kg	0.55 kg