



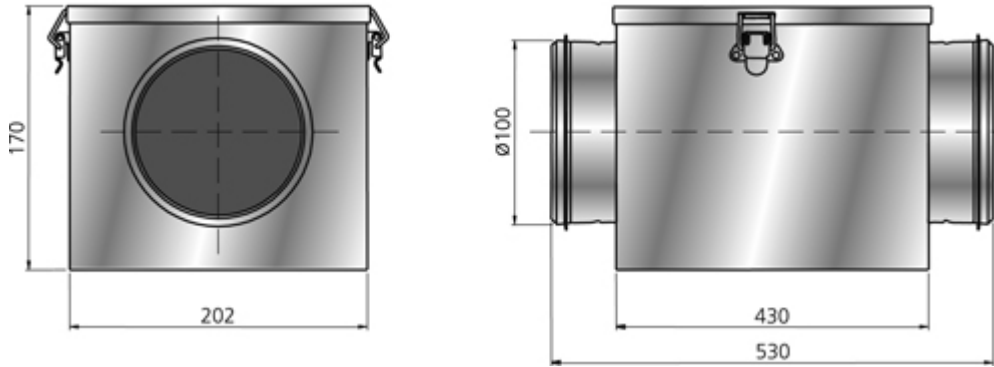
# Filterbox FLF 100

The FLF filter box is manufactured from galvanized steel sheet. It is delivered without filter.

#### Accessories

- FLF 100 Filter

#### DIMENSIONS



# FLF 100 Filter

The FLF filters are designed for use in the FLK filter boxes. There are three different filter types to choose from classified according to EN ISO 16890.

- ePM1 (Fine): Filtration efficiencies 50–95%. Particle size up to 1  $\mu\text{m}$ .
- ePM10: Filtration efficiencies 50–95%. Particle size up to 10  $\mu\text{m}$ .
- Coarse: Filtration efficiencies not required. Particles all sizes.

TECHNICAL DATA	1250067 Filter FLF 100 Coarse 65%	1250068 Filter FLF 100 ePM10 60%	1250069 Filter FLF 100 ePM1 65%
Dimension	197x162x300/1 mm	197x162x330/2 mm	197x162x330/3 mm
Weight	0.25 kg	0.35 kg	0.35 kg