

Order line: 20

Customer item: 0

Specification of: RDP E0-0630 3.8kW 400V-3F M6L8

High performance centrifugal fan RDP

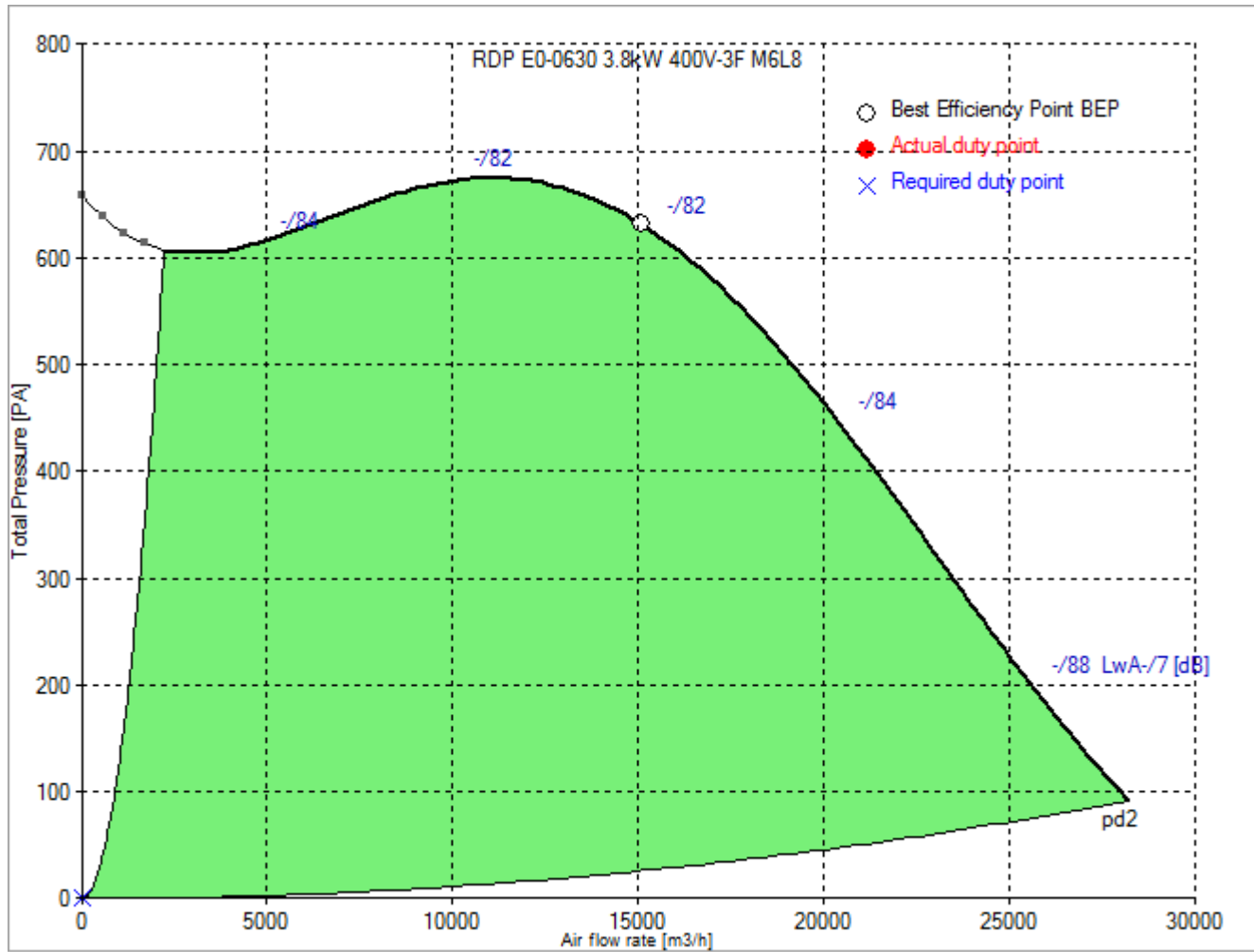
Double width, double inlet (DWDI), direct drive. Lap-jointed scroll made of galvanized steel (EN 10142), assembled through a standing cold-rolled seam. V-shaped cut-off at fan discharge. Centrifugal impeller with 11 backward inclined blades, welded, made of aluminium, directly mounted on a permanent magnet motor with external rotor, without transmission losses. Dynamically balanced according to DIN ISO 21940-11. Highly efficient 5.5 kW three-phase sensorless driver, with passive EMC filtering and automatic protection against overheating. Driver directly installed on the scroll, and factory-configured, for a plug and play solution: no further configuration is needed. Continuous speed control of the Drive System by 0 ... 10 V analogue signal, or with Modbus RS485-compliant interface. All the drive system is completely in protection class IP 54. Power source 400V – 50/60 Hz. Maintenance free! Air performance ratings according to AMCA 210-07 (Fig. 12) and ISO 5801 (Fig. 69 c and par. 30.2 f).

Technical data of the fan: RDP E0-0630 3.8kW 400V-3F M6L8

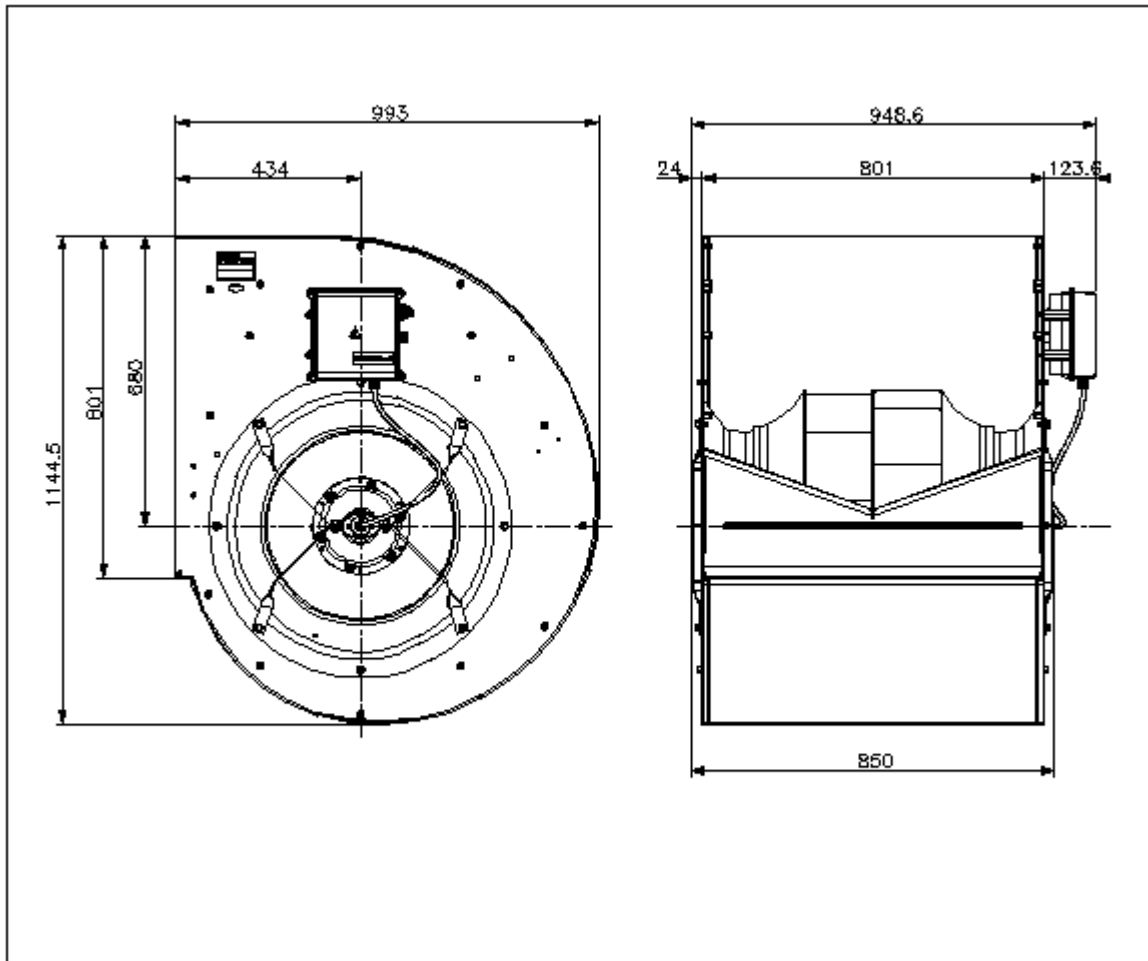
fulfills the ErP requirements 2015

Description	Value Dimension
Specified duty point	
Actual duty point	
Installation acc. DIN 24163 Part 1	B
Reference density (Rho1)	1.20 kg/m ³
Medium temperature (t)	20 C
Fan weight	90 kg
This duty point can only be reached by using an inverter/controller for motor speed control!	
Rated data	
Phases-Voltage-Frequency	3~400-50/60 V-Hz
Rated motor speed (n _N)	1000 min ⁻¹
Rated motor current (I _N)	6,0 A
operational limits	
Max. absorbed power (P _{1max})	3.8 kW
Temperature range of conveying medium (t _{min} ...t _{max})	-20...40 C
ErP-Data at best efficiency and density - kg/m³	
measurement- / efficiency category	B / total
design status of VSD	VSD is integrated
overall efficiency (ETA _{opt})	74.0 %
achieved efficiency grade (N _{1st})	78.4
required efficiency grade in 2013 / 2015 (N)	61 / 64
Air flow rate (V _{opt})	15124 m ³ /h
pressure rise (dp _{opt})	636 Pa
Fan speed (n _{vopt})	1002 min ⁻¹
motor power input (P _{1opt})	3.61 kW
specific ratio (d _{dpopt})	1.006

Fan curve to RDP E0-0630 3.8kW 400V-3F M6L8



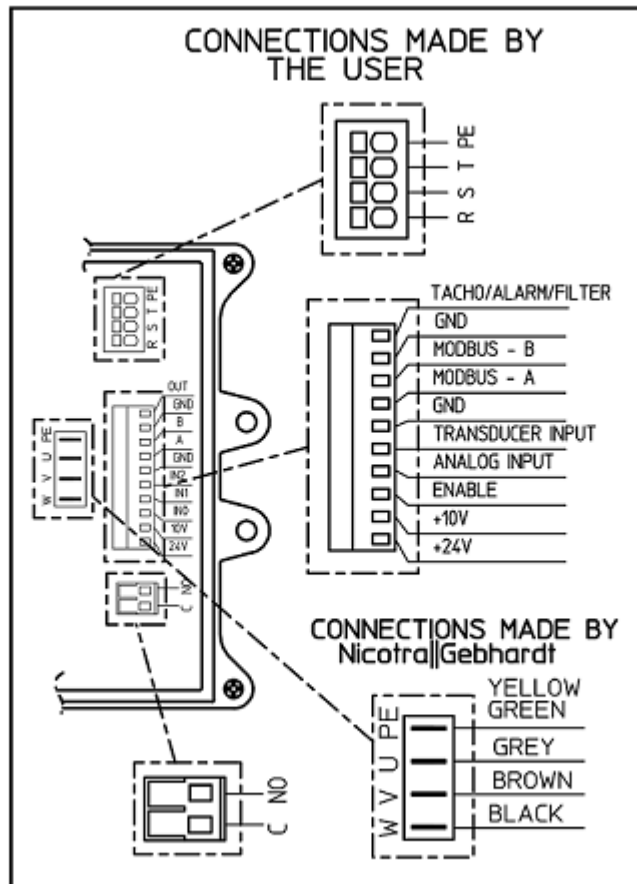
Dimensions to RDP E0-0630 3.8kW 400V-3F M6L8



Rotation: RD

Handing: 90

Wiring diagram of the fan RDP E0-0630 3.8kW 400V-3F M6L8



7-06-2021 7Y

Wiring diagram for connection to: [mains - VSD - motor](#)

Rotation: [LG](#)