

Order line: 20

Customer item: 0

Specification of: RDP E0-0400 2.1kW 230V-1F M6A6+FL

High performance centrifugal fan RDP

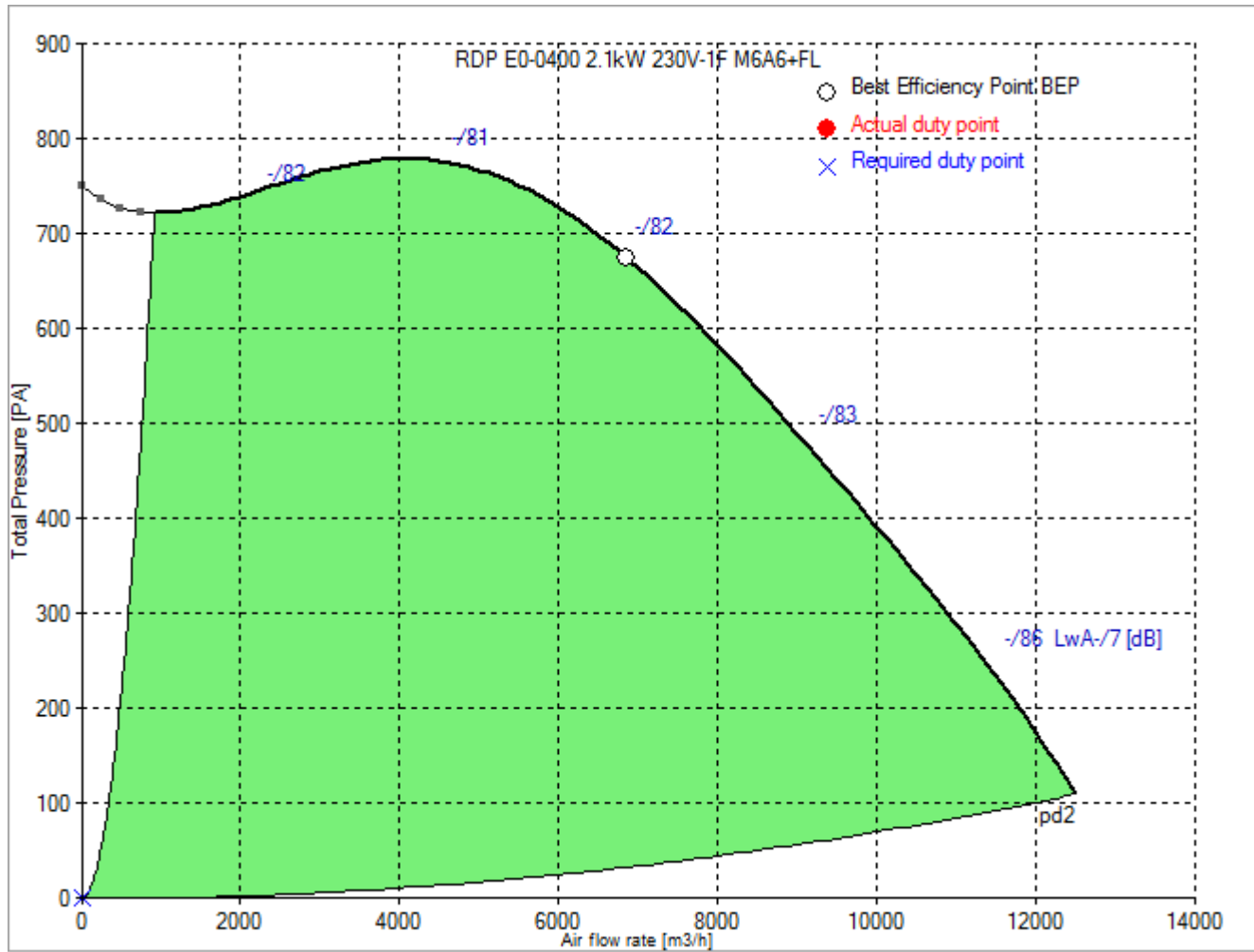
Double width, double inlet (DWDI), direct drive. Lap-jointed scroll made of galvanized steel (EN 10142), assembled through a standing cold-rolled seam. V-shaped cut-off at fan discharge. Centrifugal impeller with 11 backward inclined blades, welded, made of aluminium, directly mounted on a permanent magnet motor with external rotor, without transmission losses. Dynamically balanced according to DIN ISO 21940-11. High efficient 2 kW single-phase driver sensor-less algorithm with integrated active PFC and thermal derating protection. Driver directly installed on the scroll, and factory-configured, for a plug and play solution: no further configuration is needed. Continuous speed control of the Drive System by 0 ... 10 V analogue signal, or with Modbus RS485-compliant interface. All the drive system is completely in protection class IP 54. Power source 230V – 50/60 Hz. Maintenance free! Air performance ratings according to AMCA 210-07 (Fig. 12) and ISO 5801 (Fig. 69 c and par. 30.2 f).

Technical data of the fan: RDP E0-0400 2.1kW 230V-1F M6A6+FL

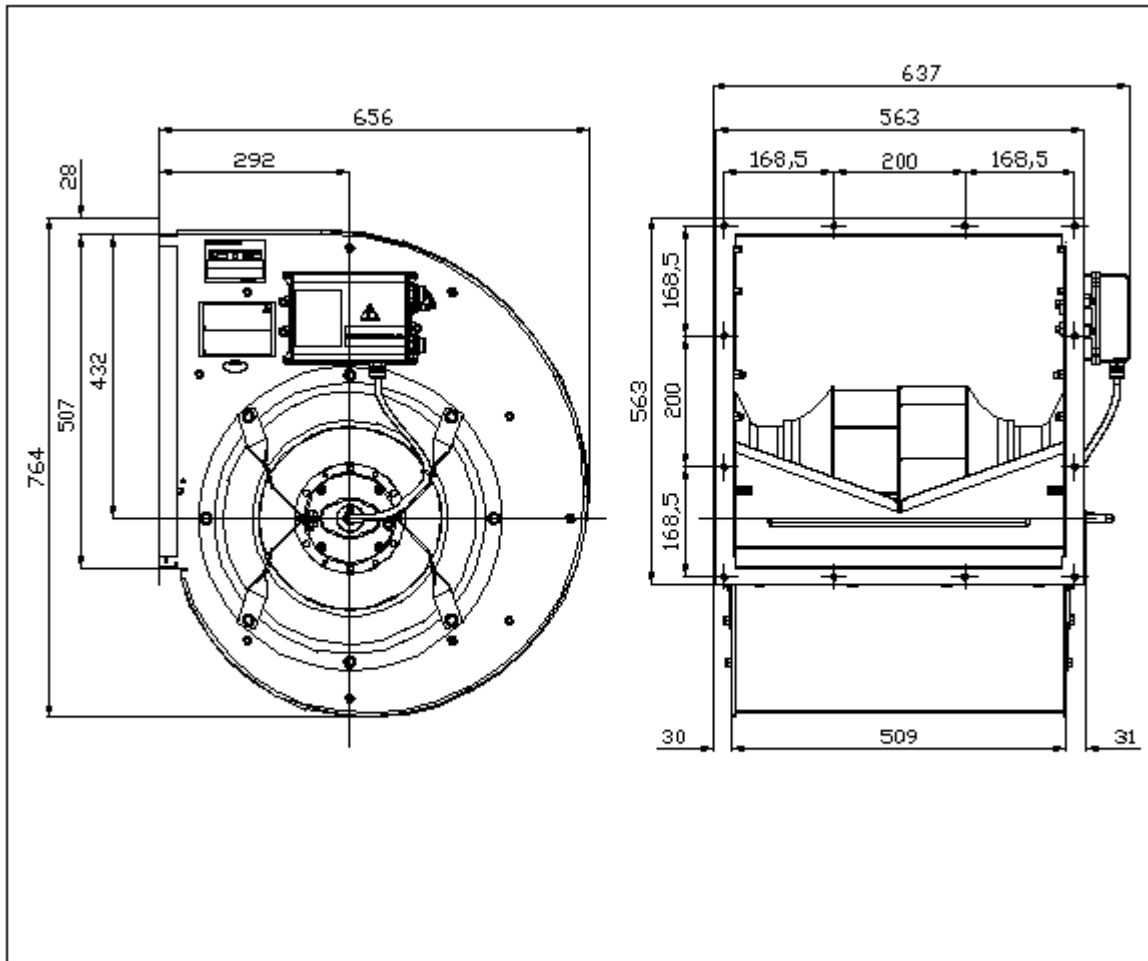
fulfills the ErP requirements 2015

Description	Value Dimension
Specified duty point	
Actual duty point	
Installation acc. DIN 24163 Part 1	B
Reference density (Rho1)	1.20 kg/m ³
Medium temperature (t)	20 C
Fan weight	35 kg
This duty point can only be reached by using an inverter/controller for motor speed control!	
Rated data	
Phases-Voltage-Frequency	1~230-50/60 V-Hz
Rated motor speed (n _N)	1700 min ⁻¹
Rated motor current (I _N)	8,8 A
operational limits	
Max. absorbed power (P _{1max})	2.2 kW
Temperature range of conveying medium (t _{min} ...t _{max})	-20...40 C
ErP-Data at best efficiency and density - kg/m³	
measurement- / efficiency category	B / total
design status of VSD	VSD is integrated
overall efficiency (ETA _{opt})	66.2 %
achieved efficiency grade (N _{ist})	73.4
required efficiency grade in 2013 / 2015 (N)	61 / 64
Air flow rate (V _{opt})	6852 m ³ /h
pressure rise (dp _{opt})	676 Pa
Fan speed (n _{vopt})	1700 min ⁻¹
motor power input (P _{1opt})	1.95 kW
specific ratio (d _{dpopt})	1.007

Fan curve to RDP E0-0400 2.1kW 230V-1F M6A6+FL



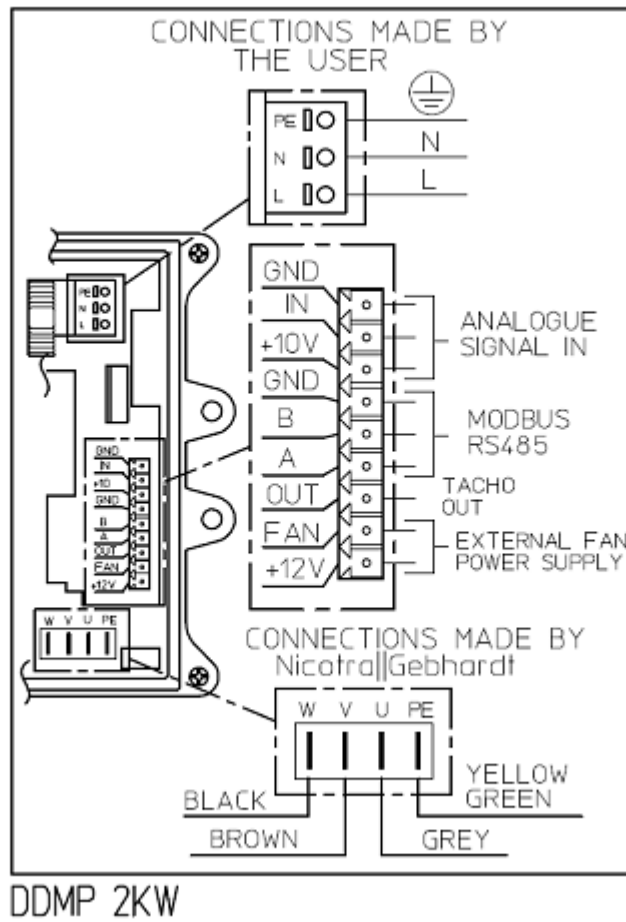
Dimensions to RDP E0-0400 2.1kW 230V-1F M6A6+FL



Rotation: RD

Handing: 90

Wiring diagram of the fan RDP E0-0400 2.1kW 230V-1F M6A6+FL



28-11-2017 5X

Wiring diagram for connection to: [mains - VSD - motor](#)

Rotation: [LG](#)