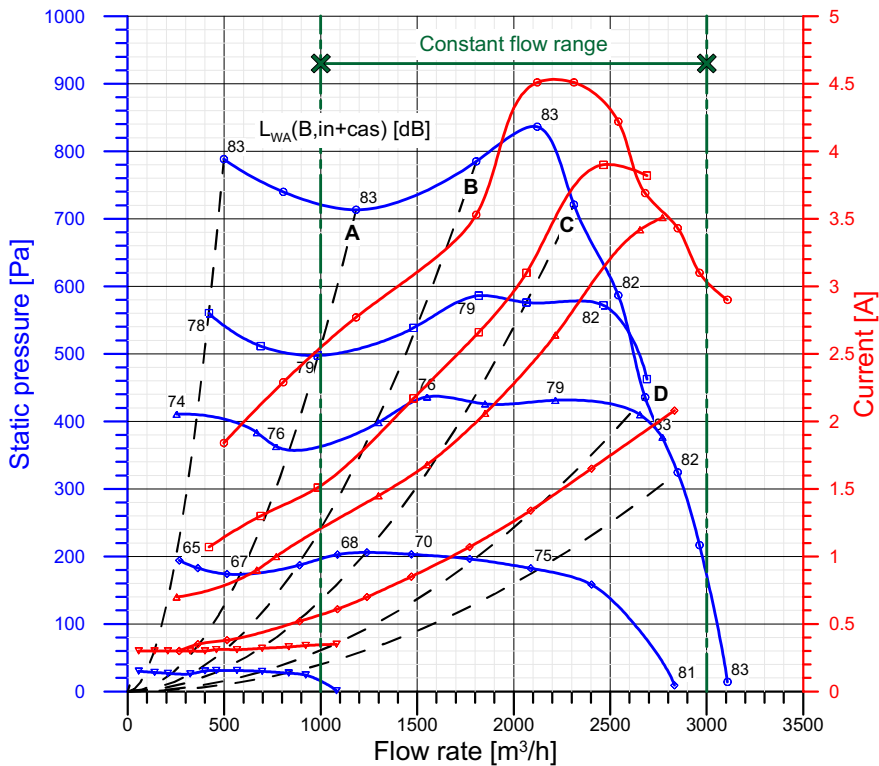


Type: DDMP 9/7 1kW 1Ph
Motor: 1416A0+1431A5

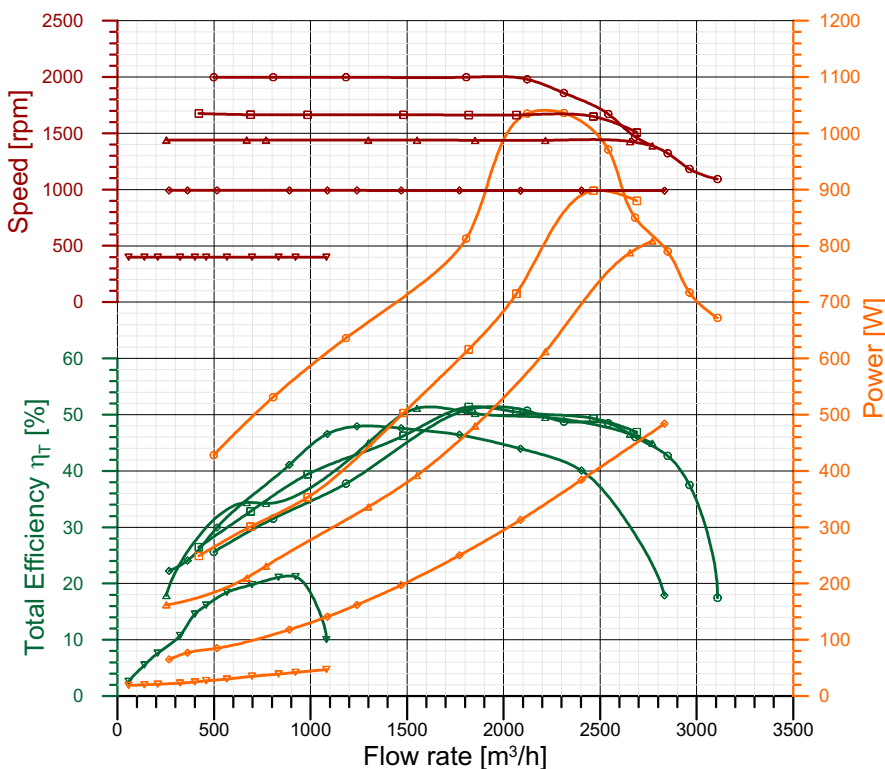
Power:	1036 W (input, max)	Protection Cl.:	IP 54 (Motor)
Poles:	8	Insulation Cl.:	F
Voltage:	220-240 V	Thermal prot.:	YES-Integral
Supply:	1~	Temp. Min.:	-20 °C
Frequency:	50-60 Hz	Temp. Max.:	+40 °C
Capacitor:	n.a.	Current Max.:	4.51 A

Performance data referring to:
Standard air density $\rho = 1.20 \text{ kg / m}^3$
Installation type "B": free inlet, ducted outlet
Sound Power Levels shown are
Inlet-side $L_{WA}(B, in+cas)$, A-weighted, in dBA

Integral speed-control by
On-board Driver 1431A5



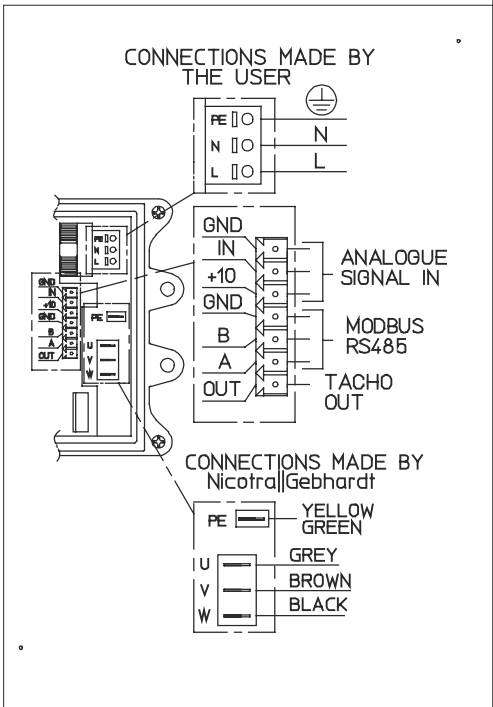
	qv m³/h	pfs Pa	Pe W	n rpm	I A	η_T %
○ Maximum performance curve (10 V)						
A	1183	713	636	1998	2.77	37.8
B	1806	785	813	1998	3.53	50.8
C	2312	721	1036	1858	4.51	48.8
D	2681	436	850	1468	3.69	46.0
□ Performance at 1600 rpm						
A	985	498	353	1664	1.51	39.4
B	1481	538	503	1664	2.17	46.3
C	2066	576	715	1662	3.10	50.5
D	2690	463	880	1507	3.82	46.9
△ Performance at 1400 rpm						
A	769	363	231	1441	1.00	34.2
B	1299	398	336	1440	1.45	45.0
C	1852	426	480	1438	2.06	50.2
D	2655	410	788	1427	3.42	46.6
◇ Performance at 1000 rpm						
A	515	174	85	992	0.38	30.0
B	890	187	118	992	0.52	41.1
C	1240	206	162	992	0.70	47.9
D	1771	196	250	991	1.07	46.4
▽ Performance at 400 rpm						
A	208	27	21	398	0.30	7.6
B	324	26	23	398	0.30	10.8
C	459	31	27	398	0.31	16.1
D	696	30	35	398	0.32	19.8



ErP Data acc. to Reg. 327/11/CE
Performance referred to the best efficiency duty point

Compl. with Reg. 327/11/EC: Tier II (2015)
Overall Efficiency ($\eta \times Cc$) [%]: 55.6
Measurement category: B
Efficiency category: Total
Efficiency grade N [%]: 62.5
A variable speed drive is integrated with this fan
Manufactured since: 2016
By:
Regal Beloit Italy S.p.A.
Via Modena 18
24040 Ciserano - Italy
Power input [kW]: 0.813
Volume flow rate qv [m³/s]: 0.502
Total Pressure [Pa]: 826
Speed [rpm]: 1998
Specific ratio: 1.008
Information on:
- Disassembly, recycling and disposal at end of life
- Optimal installation, use and maintenance of fans
are freely downloadable from
www.nicotra-gebhardt.com
Testing is carried out with the optional components of the test airway required, according to ISO 5801:2007, for the installation type detailed here on top.

WIRING DIAGRAM

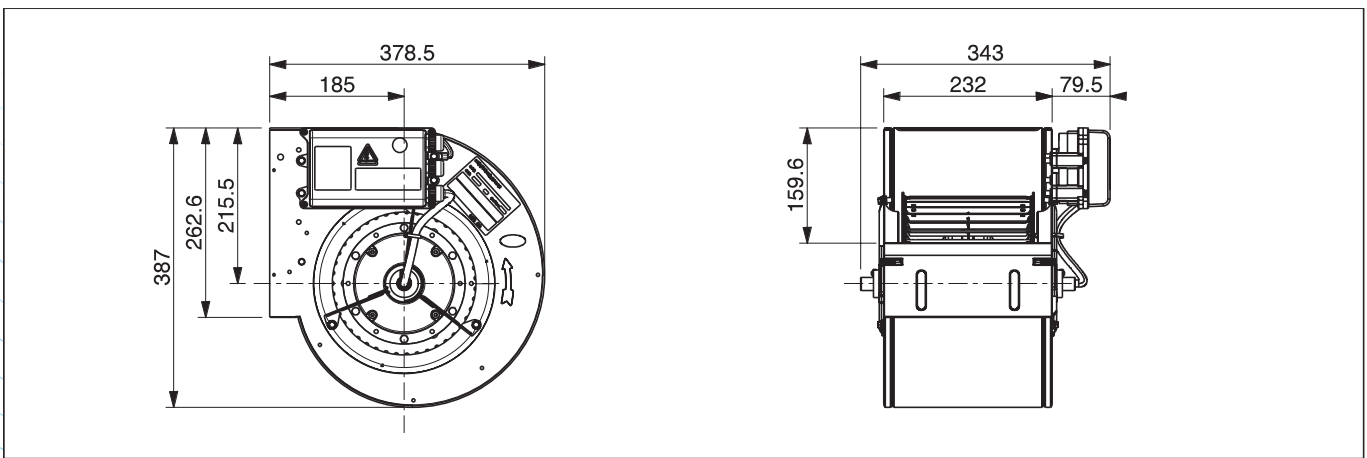


NOISE DATA

Working point	Sound power level for inlet side (L _w) in dB									
	m ³ /h	63	125	250	500	1k	2k	4k	8kHz	L _{wA}
230 V / 50 Hz	1183	56,4	87,4	87,6	78,3	75,0	74,1	70,7	66,4	83,3
F.M.W.L.	1806	75,7	84,6	87,2	77,6	75,6	74,3	71,3	67,2	83,1
	2312	67,2	79,3	84,8	76,9	77,9	74,6	72,5	68,1	82,9
	2681	67,4	77,5	81,3	75,0	77,1	74,5	71,2	66,1	81,6
230 V / 50 Hz	985	77,5	82,4	83,8	74,7	71,2	70,1	65,6	60,4	79,3
1600 rpm	1481	70,6	80,7	82,9	73,4	72,0	69,9	66,1	61,3	78,8
	2066	62,5	80,8	82,9	75,9	73,6	71,7	68,4	63,4	80,1
	2690	63,9	77,1	82,1	74,8	77,0	74,7	72,1	66,8	81,8
230 V / 50 Hz	769	56,6	79,9	80,2	71,5	67,4	66,8	61,7	55,9	75,9
1400 rpm	1299	65,2	77,2	78,6	70,4	68,2	67,0	62,5	57,2	75,2
	1852	60,3	76,8	79,9	72,6	71,2	69,0	64,9	59,2	77,2
	2655	64,5	78,6	80,9	74,6	76,1	74,1	70,7	65,4	81,0
230 V / 50 Hz	515	65,2	69,0	69,7	62,8	60,3	58,0	50,9	43,4	66,6
1000 rpm	890	58,8	67,4	68,6	62,6	61,2	59,0	52,0	44,5	66,7
	1240	52,6	67,5	71,3	65,0	63,5	61,1	54,5	46,6	69,0
	1771	56,7	68,5	72,0	67,1	66,7	66,4	60,6	53,1	72,2
230 V / 50 Hz	208	N.A.	N.A.	N.A.	N.A.	N.A.	N.A.	N.A.	N.A.	N.A.
400 rpm	324	N.A.	N.A.	N.A.	N.A.	N.A.	N.A.	N.A.	N.A.	N.A.
	459	N.A.	N.A.	N.A.	N.A.	N.A.	N.A.	N.A.	N.A.	N.A.
	696	N.A.	N.A.	N.A.	N.A.	N.A.	N.A.	N.A.	N.A.	N.A.

DIMENSIONAL DRAWINGS

6DA0035ZZ0000000 - DDMP 9/7 M6A0 DA5



6DA0035ZZ0000001 - DDMP 9/7 M6A0 DA5+FL

