

Type: DDMP 8/9 T 1kW 1Ph
Motor: 1416A1+1431A5

Power:	1049 W (input, max)	Protection Cl.:	IP 54 (Motor)
Poles:	8	Insulation Cl.:	F
Voltage:	220-240 V	Thermal prot.:	YES-Integral
Supply:	1~	Temp. Min:	-20 °C
Frequency:	50-60 Hz	Temp. Max:	+40 °C
Capacitor:	n.a.	Current Max:	4.52 A

Performance data referring to:
Standard air density $\rho = 1.20 \text{ kg / m}^3$
Installation type "B": free inlet, ducted outlet

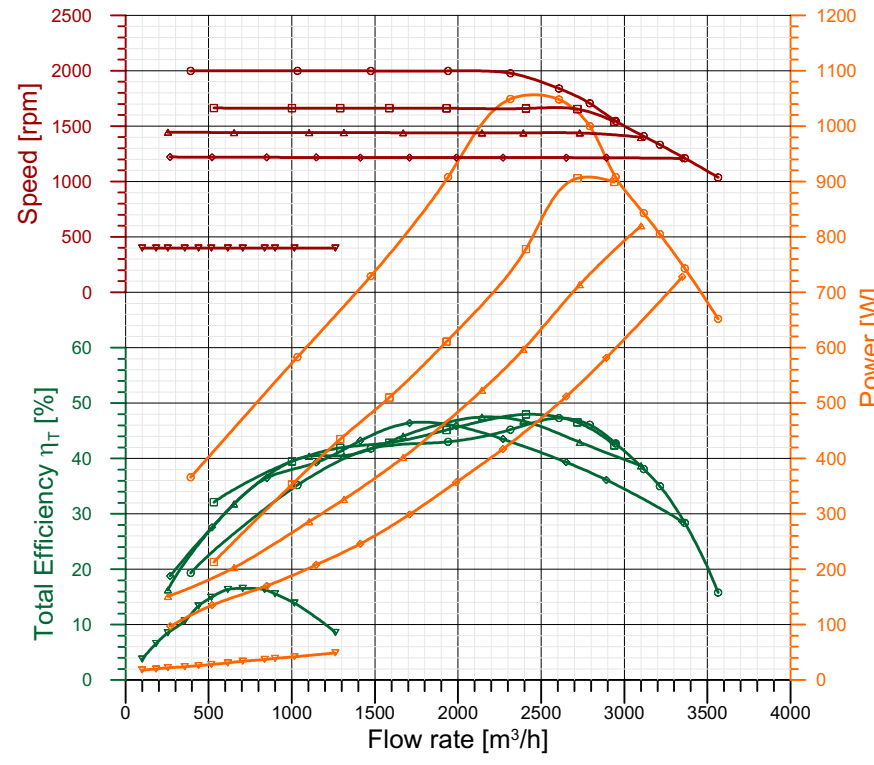
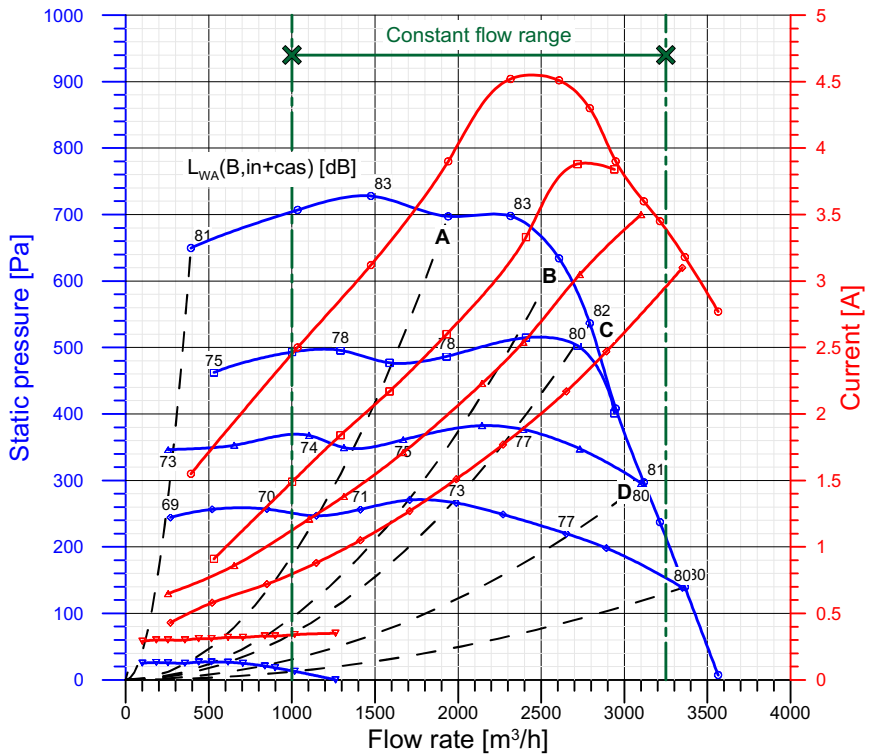
Sound Power Levels shown are
Inlet-side $L_{WA}(B, in+cas)$, A-weighted, in dBA

Integral speed-control by
On-board Driver 1431A5

	qv m3/h	pfs Pa	Pe W	n rpm	I A	η_T %
○ Maximum performance curve (10 V)						
A	1940	697	908	1998	3.90	43.0
B	2607	634	1048	1839	4.51	47.3
C	2792	536	1000	1706	4.30	46.1
D	3117	297	843	1409	3.60	38.1
□ Performance at 1600 rpm						
A	1587	477	510	1662	2.17	42.9
B	2408	515	778	1659	3.33	48.0
C	2718	503	906	1653	3.88	46.5
D	n.a.	n.a.	n.a.	n.a.	n.a.	n.a.
△ Performance at 1400 rpm						
A	1313	349	326	1441	1.38	40.5
B	2144	383	523	1438	2.23	47.5
C	2393	377	597	1439	2.54	46.8
D	3101	296	820	1399	3.50	38.7
◇ Performance at 1200 rpm						
A	1147	247	208	1217	0.88	39.3
B	1708	271	299	1216	1.27	46.4
C	1989	266	357	1216	1.51	45.9
D	2651	220	512	1215	2.17	39.3
▽ Performance at 400 rpm						
A	356	25	24	398	0.30	10.7
B	516	27	28	398	0.31	15.0
C	615	27	31	398	0.32	16.4
D	837	21	37	398	0.33	16.3

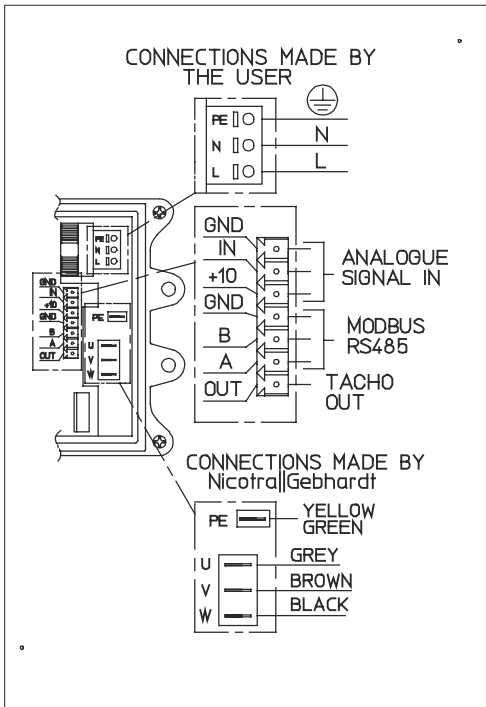
ErP Data acc. to Reg. 327/11/CE
Performance referred to the best efficiency duty point

Compl. with Reg. 327/11/EC: Tier II (2015)
Overall Efficiency ($\eta \times Cc$) [%]: 51.4
Measurement category: B
Efficiency category: Total
Efficiency grade N [%]: 57.6
A variable speed drive is integrated with this fan
Manufactured since: 2016
By:
Regal BeloIt Italy S.p.A.
Via Modena 18
24040 Ciserano - Italy
Power input [kW]: 1.048
Volume flow rate qv [m³/s]: 0.724
Total Pressure [Pa]: 686
Speed [rpm]: 1839
Specific ratio: 1.007
Information on:
- Disassembly, recycling and disposal at end of life
- Optimal installation, use and maintenance of fans
are freely downloadable from
www.nicotra-gebhardt.com
Testing is carried out with the optional components of the test airway required, according to ISO 5801:2007, for the installation type detailed here on top.



Test nr.: S4906-000/2/3/4/7

WIRING DIAGRAM

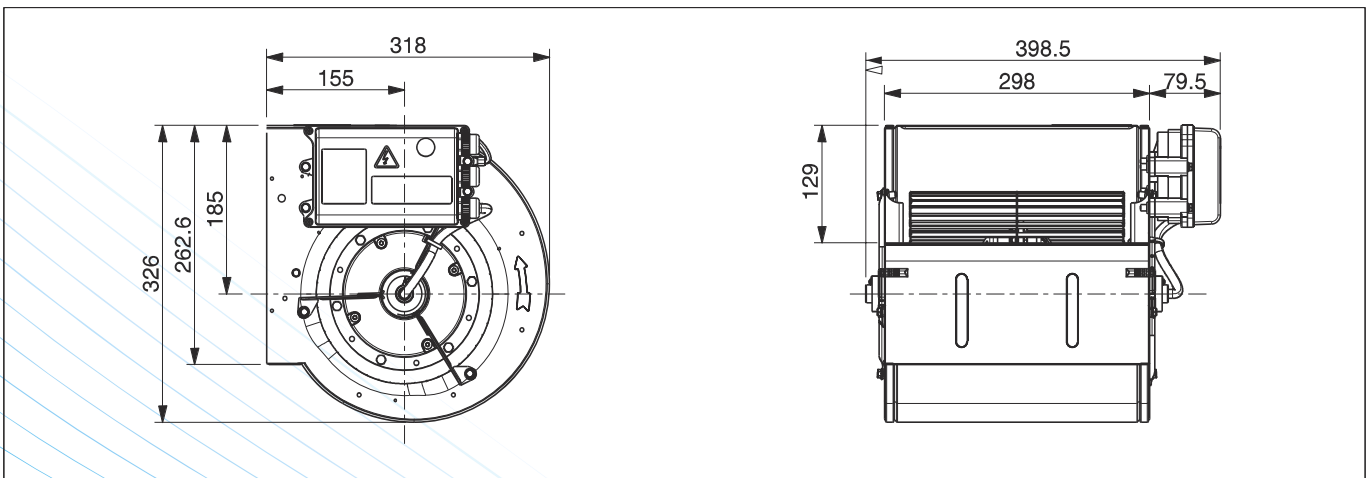


NOISE DATA

Working point	Sound power level for inlet side (Lw) in dB									
	m ³ /h	63	125	250	500	1k	2k	4k	8kHz	LwA
230 V / 50 Hz	1940	81,7	86,2	85,8	78,3	74,2	77,0	68,5	65,4	83,0
F.M.W.L.	2607	69,8	80,2	81,8	76,5	75,2	75,1	68,6	65,9	81,2
	2792	71,5	78,1	86,6	75,0	74,5	74,6	68,9	66,0	82,0
	3117	71,2	76,4	79,1	73,8	77,6	74,6	69,7	67,2	81,3
230 V / 50 Hz	1587	77,4	83,1	81,4	74,1	71,4	69,9	63,5	59,9	78,3
1600 rpm	2408	69,4	77,0	80,3	74,1	72,3	72,2	66,1	62,9	78,7
	2718	69,6	78,8	80,6	74,4	73,9	73,5	67,6	64,8	79,7
	N.A.	N.A.	N.A.	N.A.	N.A.	N.A.	N.A.	N.A.	N.A.	N.A.
230 V / 50 Hz	1313	75,2	80,3	77,7	70,8	66,7	65,7	58,9	54,6	74,5
1400 rpm	2144	68,1	77,7	77,1	71,0	69,5	69,1	62,9	59,5	75,7
	2393	72,3	78,8	77,7	71,2	70,3	70,5	64,4	61,4	76,7
	3101	72,9	77,0	78,2	73,7	76,0	74,2	69,4	66,8	80,4
230 V / 50 Hz	1147	72,4	74,5	74,5	67,0	63,7	62,4	54,7	49,1	70,9
1200 rpm	1708	59,5	73,2	73,1	66,7	65,2	64,4	57,5	53,1	71,3
	1989	66,0	73,9	73,8	68,0	67,4	66,4	60,1	56,2	73,0
	2651	69,1	74,3	75,7	70,7	71,2	70,7	65,5	62,4	76,6
230 V / 50 Hz	356	N.A.	N.A.	N.A.	N.A.	N.A.	N.A.	N.A.	N.A.	N.A.
400 rpm	516	N.A.	N.A.	N.A.	N.A.	N.A.	N.A.	N.A.	N.A.	N.A.
	615	N.A.	N.A.	N.A.	N.A.	N.A.	N.A.	N.A.	N.A.	N.A.
	837	N.A.	N.A.	N.A.	N.A.	N.A.	N.A.	N.A.	N.A.	N.A.

DIMENSIONAL DRAWINGS

6DA005KZZ0000000 - DDMP 8/9 T M6A0 DA5



6DA005KZZ0000001 - DDMP 8/9 T M6A0 DA5+FL

