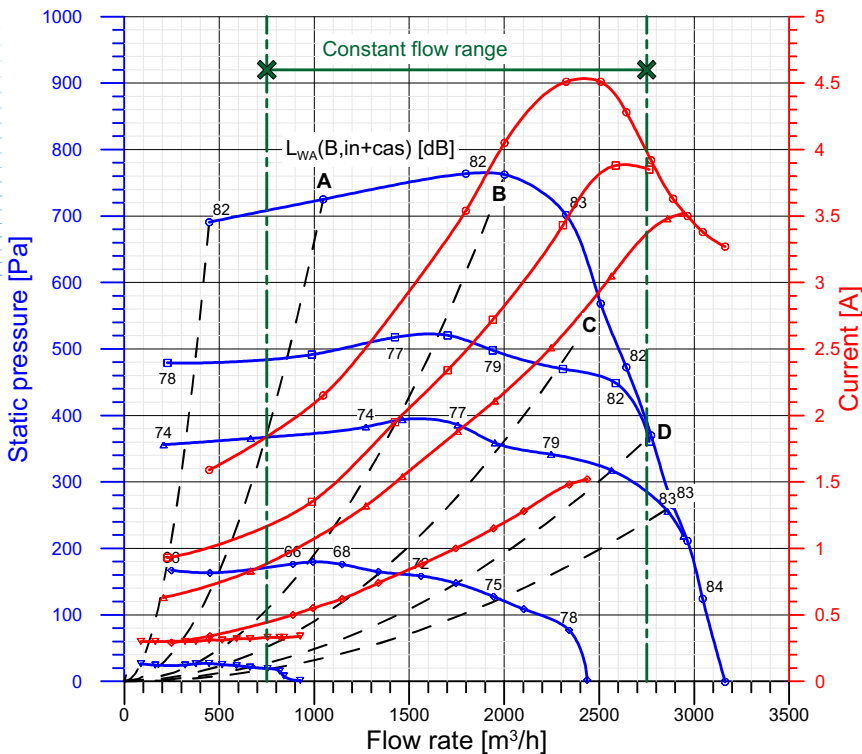


Type: DDMP 8/7 T 1kW 1Ph
Motor: 1416A0+1431A5

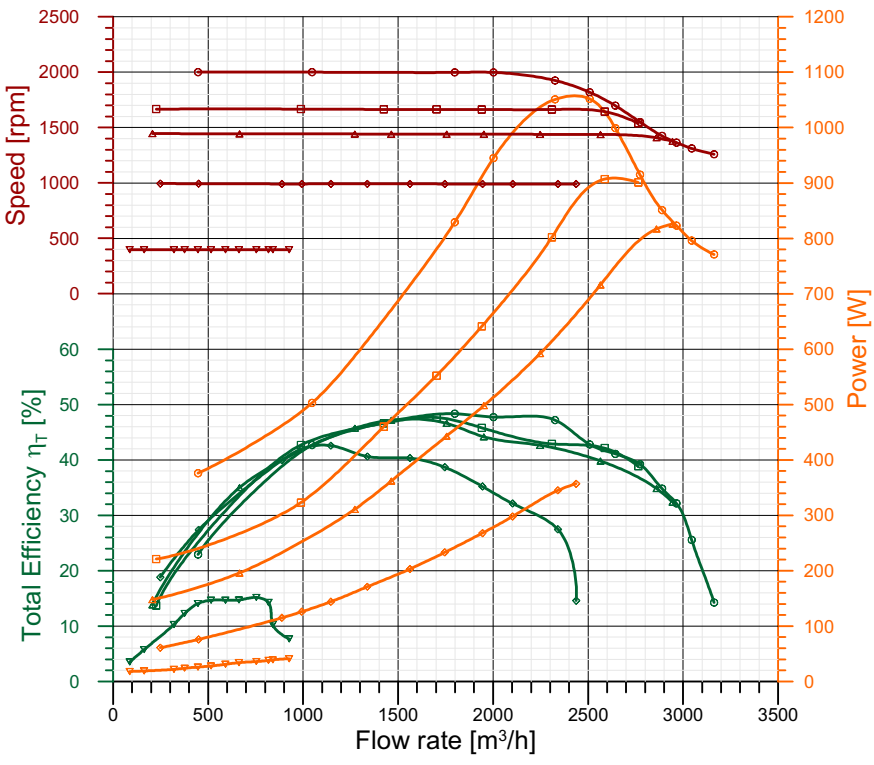
| | |
|----------------------------|-------------------------------|
| Power: 1052 W (input, max) | Protection Cl.: IP 54 (Motor) |
| Poles: 8 | Insulation Cl.: F |
| Voltage: 220-240 V | Thermal prot.: YES-Integral |
| Supply: 1~ | Temp. Min: -20 °C |
| Frequency: 50-60 Hz | Temp. Max: +40 °C |
| Capacitor: n.a. | Current Max: 4.51 A |

Performance data referring to:
Standard air density $\rho = 1.20 \text{ kg / m}^3$
Installation type "B": free inlet, ducted outlet
Sound Power Levels shown are
Inlet-side $L_{WA}(B, in+cas)$, A-weighted, in dBA

Integral speed-control by
On-board Driver 1431A5



| | qv m³/h | pfs Pa | Pe W | n rpm | I A | η_T % |
|------------------------------------|------------|-----------|---------|----------|--------|---------------|
| ○ Maximum performance curve (10 V) | | | | | | |
| A | 1047 | 725 | 503 | 2000 | 2.15 | 42.7 |
| B | 2002 | 762 | 945 | 1998 | 4.05 | 47.8 |
| C | 2508 | 568 | 1052 | 1819 | 4.51 | 42.8 |
| D | 2773 | 370 | 915 | 1550 | 3.92 | 39.2 |
| □ Performance at 1600 rpm | | | | | | |
| A | 988 | 491 | 323 | 1667 | 1.35 | 42.7 |
| B | 1702 | 521 | 552 | 1664 | 2.34 | 47.7 |
| C | 2309 | 470 | 802 | 1663 | 3.43 | 42.9 |
| D | 2764 | 361 | 901 | 1539 | 3.85 | 38.9 |
| △ Performance at 1400 rpm | | | | | | |
| A | 665 | 365 | 196 | 1443 | 0.83 | 35.0 |
| B | 1464 | 394 | 362 | 1441 | 1.54 | 47.2 |
| C | 1951 | 359 | 498 | 1440 | 2.11 | 44.2 |
| D | 2565 | 318 | 716 | 1438 | 3.05 | 39.8 |
| ◇ Performance at 1000 rpm | | | | | | |
| A | 450 | 163 | 76 | 993 | 0.34 | 27.4 |
| B | 993 | 180 | 126 | 991 | 0.55 | 42.0 |
| C | 1338 | 165 | 171 | 992 | 0.74 | 40.6 |
| D | 1745 | 148 | 233 | 991 | 1.00 | 38.7 |
| ▽ Performance at 400 rpm | | | | | | |
| A | 163 | 24 | 19 | 398 | 0.30 | 5.8 |
| B | 376 | 26 | 24 | 398 | 0.30 | 12.3 |
| C | 515 | 25 | 28 | 398 | 0.31 | 14.7 |
| D | 662 | 21 | 34 | 398 | 0.32 | 14.7 |

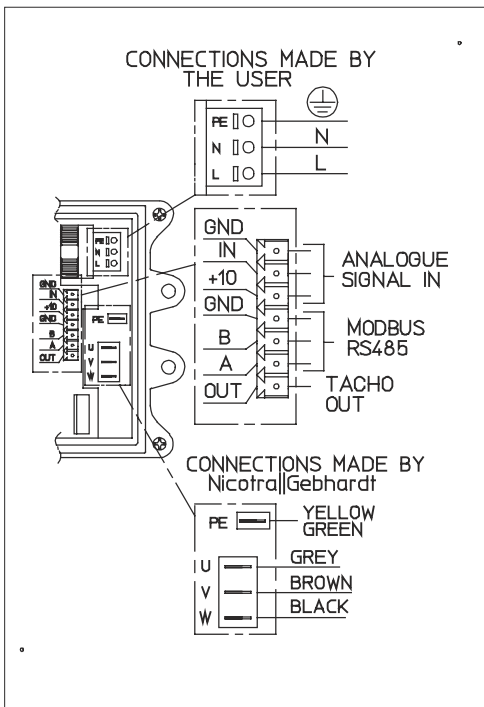


ErP Data acc. to Reg. 327/11/CE
Performance referred to the best efficiency duty point

Compl. with Reg. 327/11/EC: Tier II (2015)
Overall Efficiency ($\eta \times Cc$) [%]: 52.9
Measurement category: B
Efficiency category: Total
Efficiency grade N [%]: 59.7
A variable speed drive is integrated with this fan
Manufactured since: 2016
By:
Regal Beloit Italy S.p.A.
Via Modena 18
24040 Ciserano - Italy
Power input [kW]: 0.829
Volume flow rate qv [m³/s]: 0.499
Total Pressure [Pa]: 804
Speed [rpm]: 1998
Specific ratio: 1.008
Information on:
- Disassembly, recycling and disposal at end of life
- Optimal installation, use and maintenance of fans
are freely downloadable from
www.nicotra-gebhardt.com
Testing is carried out with the optional components of the test airway required, according to ISO 5801:2007, for the installation type detailed here on top.

Test nr.: S4907-000/2/3/5/7

WIRING DIAGRAM

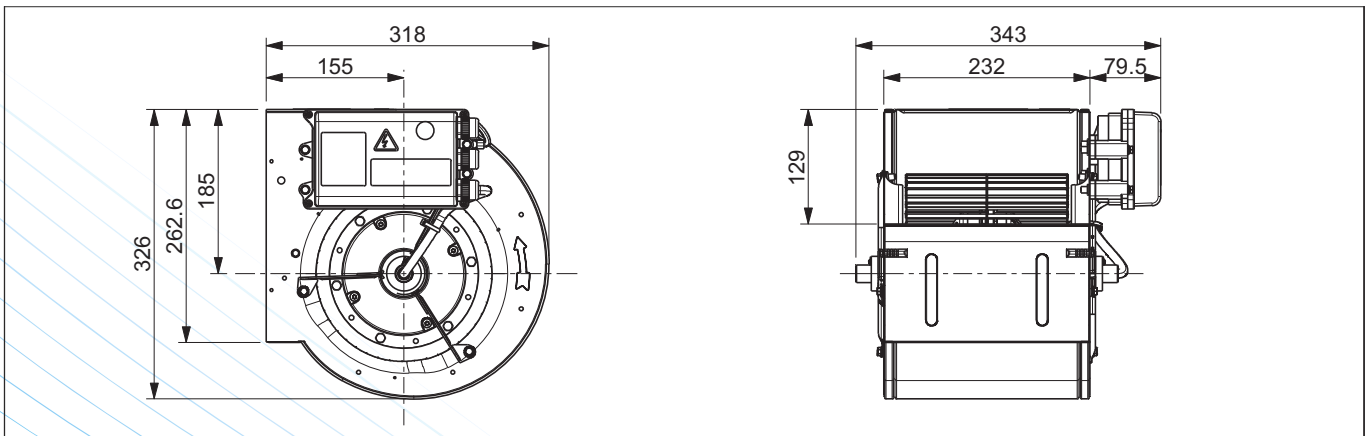


NOISE DATA

| Working point | Sound power level for inlet side (Lw) in dB | | | | | | | | | |
|---------------|---|------|------|------|------|------|------|------|------|------|
| | m ³ /h | 63 | 125 | 250 | 500 | 1k | 2k | 4k | 8kHz | LwA |
| 230 V / 50 Hz | 1047 | 79,3 | 84,7 | 85,8 | 79,8 | 74,3 | 74,8 | 68,5 | 65,6 | 82,7 |
| F.M.W.L. | 2002 | 68,9 | 78,3 | 81,6 | 79,0 | 74,5 | 75,6 | 70,1 | 67,4 | 81,9 |
| | 2508 | 74,0 | 80,0 | 82,9 | 79,5 | 79,9 | 77,3 | 71,6 | 69,1 | 84,2 |
| | 2773 | 73,4 | 78,7 | 80,2 | 76,5 | 78,2 | 76,4 | 72,0 | 69,5 | 82,7 |
| 230 V / 50 Hz | 988 | 75,0 | 82,4 | 81,7 | 75,9 | 70,1 | 69,3 | 63,6 | 58,9 | 78,5 |
| 1600 rpm | 1702 | 67,4 | 77,2 | 79,5 | 73,7 | 71,5 | 70,8 | 65,3 | 62,5 | 77,8 |
| | 2309 | 70,6 | 79,9 | 79,6 | 75,5 | 74,7 | 74,2 | 69,4 | 66,8 | 80,5 |
| | 2764 | 73,4 | 78,7 | 80,1 | 76,4 | 78,9 | 76,4 | 71,9 | 69,5 | 83,0 |
| 230 V / 50 Hz | 665 | 73,8 | 78,7 | 78,6 | 72,9 | 67,2 | 65,9 | 59,7 | 54,3 | 75,3 |
| 1400 rpm | 1464 | 62,0 | 75,8 | 76,9 | 70,0 | 68,7 | 67,3 | 61,8 | 58,5 | 74,7 |
| | 1951 | 64,9 | 75,6 | 77,2 | 72,5 | 72,7 | 70,6 | 65,4 | 62,6 | 77,5 |
| | 2565 | 70,9 | 77,6 | 78,6 | 74,5 | 77,9 | 74,4 | 70,2 | 67,5 | 81,5 |
| 230 V / 50 Hz | 450 | 66,7 | 70,7 | 69,6 | 63,4 | 59,8 | 56,3 | 48,0 | 40,9 | 66,3 |
| 1000 rpm | 993 | 60,3 | 66,8 | 68,0 | 62,0 | 61,8 | 58,6 | 51,2 | 44,9 | 66,5 |
| | 1338 | 62,8 | 67,6 | 68,7 | 64,6 | 68,2 | 62,2 | 56,0 | 52,0 | 70,8 |
| | 1745 | 62,9 | 68,4 | 71,7 | 67,0 | 70,6 | 66,0 | 61,1 | 57,2 | 73,7 |
| 230 V / 50 Hz | 163 | N.A. | N.A. | N.A. | N.A. | N.A. | N.A. | N.A. | N.A. | N.A. |
| 400 rpm | 376 | N.A. | N.A. | N.A. | N.A. | N.A. | N.A. | N.A. | N.A. | N.A. |
| | 515 | N.A. | N.A. | N.A. | N.A. | N.A. | N.A. | N.A. | N.A. | N.A. |
| | 662 | N.A. | N.A. | N.A. | N.A. | N.A. | N.A. | N.A. | N.A. | N.A. |

DIMENSIONAL DRAWINGS

6DA003KZZ0000000 - DDMP 8/7 T M6A0 DA5



6DA003KZZ00000001 - DDMP 8/7 T M6A0 DA5+FL

