

Type: DDMP 7/7 1kW 1Ph
Motor: 1416A0+1431A5

Power:	1074 W (input, max)	Protection Cl.:	IP 54 (Motor)
Poles:	8	Insulation Cl.:	F
Voltage:	220-240 V	Thermal prot.:	YES-Integral
Supply:	1~	Temp. Min.:	-20 °C
Frequency:	50-60 Hz	Temp. Max.:	+40 °C
Capacitor:	n.a.	Current Max.:	4.62 A

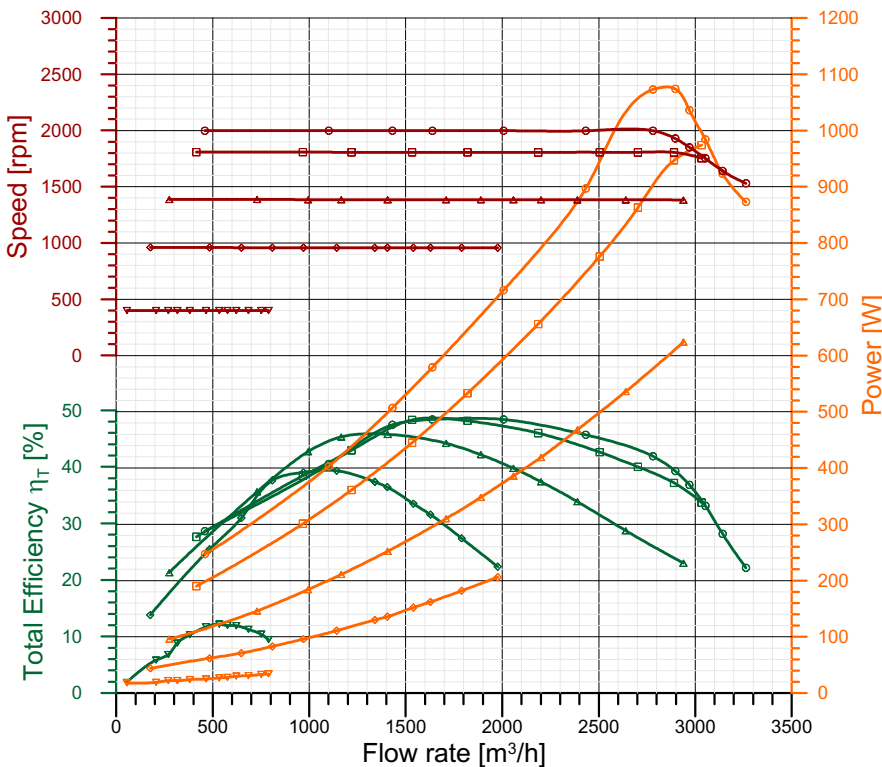
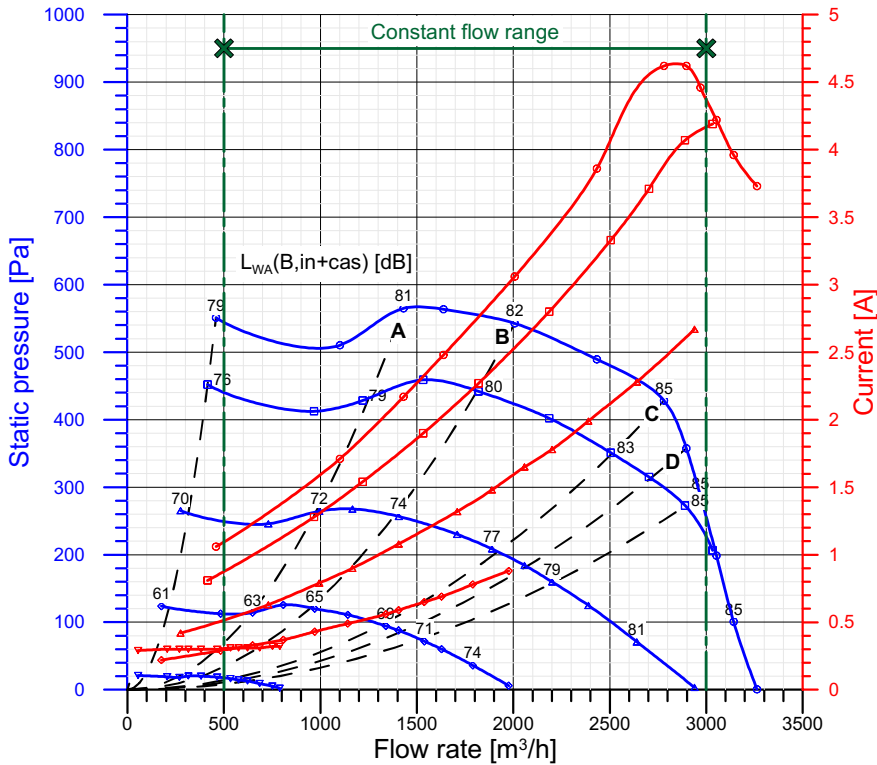
Performance data referring to:
Standard air density $\rho = 1.20 \text{ kg/m}^3$
Installation type "B": free inlet, ducted outlet
Sound Power Levels shown are
Inlet-side $L_{WA}(B, in+cas)$, A-weighted, in dBA

Integral speed-control by
On-board Driver 1431A5

	qv m ³ /h	pfs Pa	Pe W	n rpm	I A	η_T %
○ Maximum performance curve (10 V)						
A	1431	565	507	1998	2.17	47.4
B	2007	543	716	1998	3.06	48.4
C	2781	428	1073	1997	4.62	41.9
D	2897	358	1074	1929	4.62	39.3
□ Performance at 1800 rpm						
A	1219	428	361	1806	1.54	42.9
B	1820	442	533	1806	2.27	48.2
C	2505	351	776	1806	3.33	42.6
D	2703	315	863	1805	3.71	40.0
△ Performance at 1400 rpm						
A	994	264	184	1385	0.79	42.7
B	1406	257	252	1385	1.08	45.8
C	1889	209	348	1384	1.48	42.2
D	2058	184	386	1384	1.65	39.8
◇ Performance at 1000 rpm						
A	648	114	71	958	0.33	31.0
B	970	120	96	957	0.43	39.0
C	1339	94	130	957	0.56	37.4
D	1405	88	136	957	0.59	36.4
▽ Performance at 400 rpm						
A	269	18	22	398	0.30	6.8
B	381	20	24	398	0.30	10.3
C	534	16	27	398	0.31	12.2
D	576	15	28	398	0.31	12.0

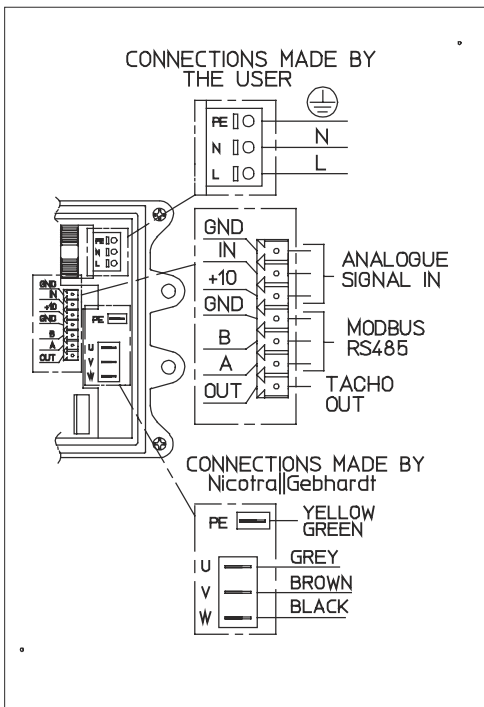
ErP Data acc. to Reg. 327/11/CE
Performance referred to the best efficiency duty point

Compl. with Reg. 327/11/EC: Tier II (2015)
Overall Efficiency ($\eta_x Cc$) [%]: 53.1
Measurement category: B
Efficiency category: Total
Efficiency grade N [%]: 60.3
A variable speed drive is integrated with this fan
Manufactured since: 2016
By:
Regal Beloit Italy S.p.A.
Via Modena 18
24040 Ciserano - Italy
Power input [kW]: 0.716
Volume flow rate qv [m³/s]: 0.558
Total Pressure [Pa]: 623
Speed [rpm]: 1998
Specific ratio: 1.006
Information on:
- Disassembly, recycling and disposal at end of life
- Optimal installation, use and maintenance of fans
are freely downloadable from
www.nicotra-gebhardt.com
Testing is carried out with the optional components of the test airway required, according to ISO 5801:2007, for the installation type detailed here on top.



Test nr.: S4884-000/1/3/5/7

WIRING DIAGRAM

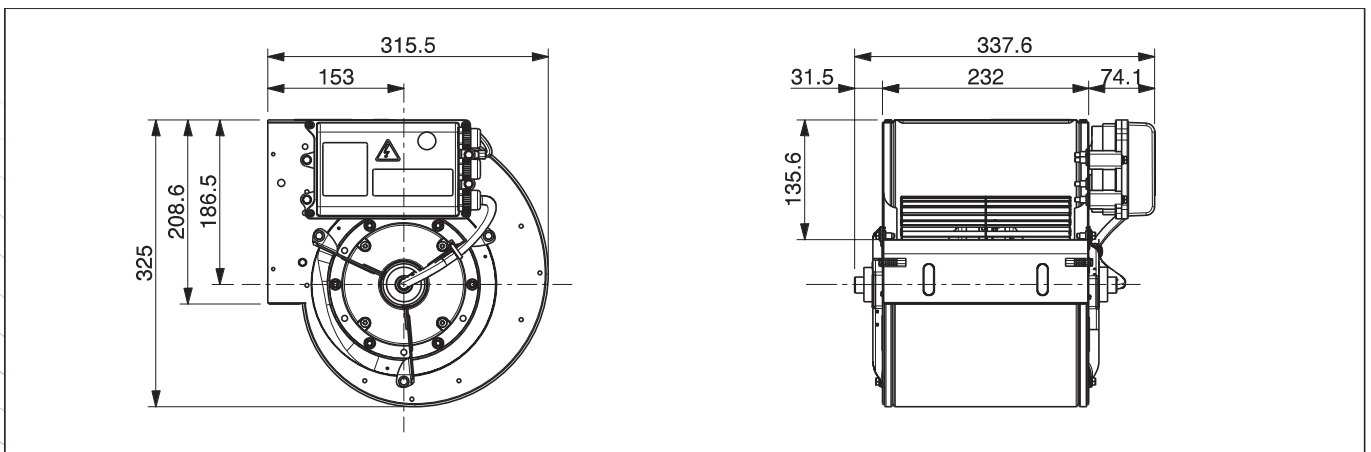


NOISE DATA

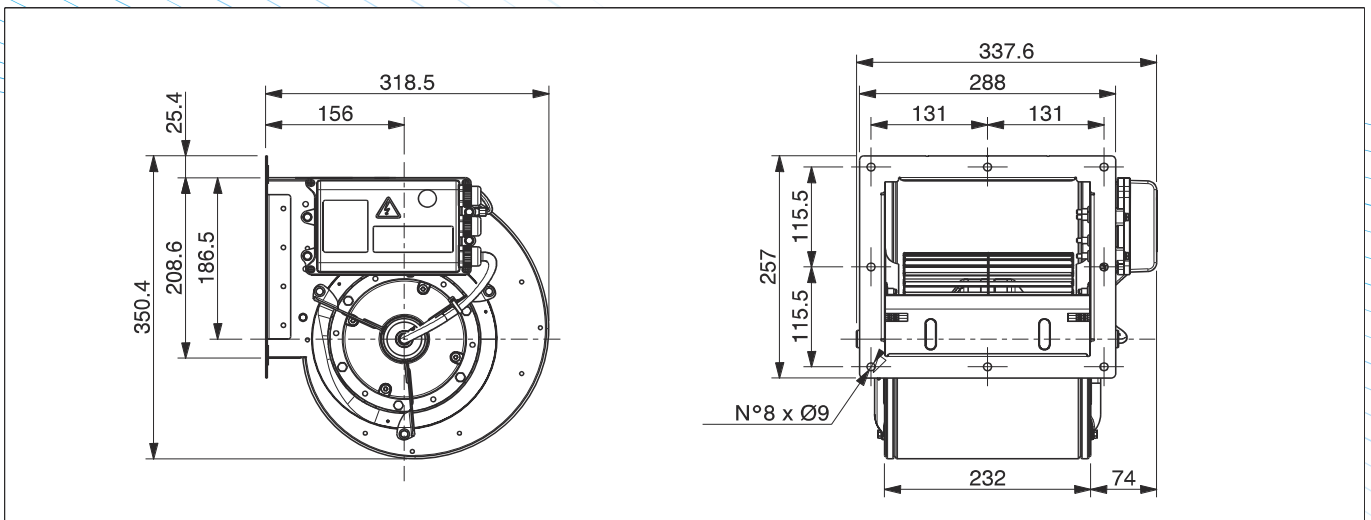
Working point	Sound power level for inlet side (L _w) in dB									
	m ³ /h	63	125	250	500	1k	2k	4k	8kHz	L _{wA}
230 V / 50 Hz	1431	71,5	74,4	84,8	76,1	73,7	71,8	67,3	64,4	80,6
F.M.W.L.	2007	64,5	75,9	84,8	78,2	75,6	74,1	69,8	67,4	82,1
	2781	69,7	76,6	84,5	80,2	78,7	78,5	74,3	71,7	84,8
	2897	69,4	77,9	84,5	80,3	78,9	78,7	74,8	72,2	85,0
230 V / 50 Hz	1219	55,8	73,3	82,9	73,7	72,2	69,0	64,6	61,2	78,5
1800 rpm	1820	65,2	74,8	83,8	76,0	74,3	71,5	67,1	64,5	80,3
	2505	67,0	72,6	83,1	78,0	77,5	76,1	71,7	69,0	82,9
	2703	68,0	72,6	83,1	79,1	78,3	77,0	72,9	70,4	83,7
230 V / 50 Hz	994	55,0	58,4	66,9	58,4	56,6	54,7	50,1	43,2	72,5
1400 rpm	1406	58,7	59,5	67,7	60,7	58,6	56,9	52,6	46,5	74,1
	1889	60,6	61,5	69,8	63,9	61,4	60,4	56,0	50,8	77,0
	2058	58,5	61,1	69,9	64,2	62,6	61,9	57,7	52,6	77,9
230 V / 50 Hz	648	55,8	57,4	65,7	60,3	58,5	53,8	46,3	38,0	63,3
1000 rpm	970	60,3	57,7	68,1	62,1	59,9	56,5	50,0	43,3	65,3
	1339	58,9	60,2	70,6	65,7	62,8	60,9	55,1	50,4	68,7
	1405	60,0	59,3	70,8	66,4	63,5	61,7	55,9	51,5	69,4
230 V / 50 Hz	269	N.A.	N.A.	N.A.	N.A.	N.A.	N.A.	N.A.	N.A.	N.A.
400 rpm	381	N.A.	N.A.	N.A.	N.A.	N.A.	N.A.	N.A.	N.A.	N.A.
	534	N.A.	N.A.	N.A.	N.A.	N.A.	N.A.	N.A.	N.A.	N.A.
	576	N.A.	N.A.	N.A.	N.A.	N.A.	N.A.	N.A.	N.A.	N.A.

DIMENSIONAL DRAWINGS

6DA0033ZZ0000000 - DDMP 7/7 M6A0 DA5



6DA0033ZZ0000001 - DDMP 7/7 M6A0 DA5+FL

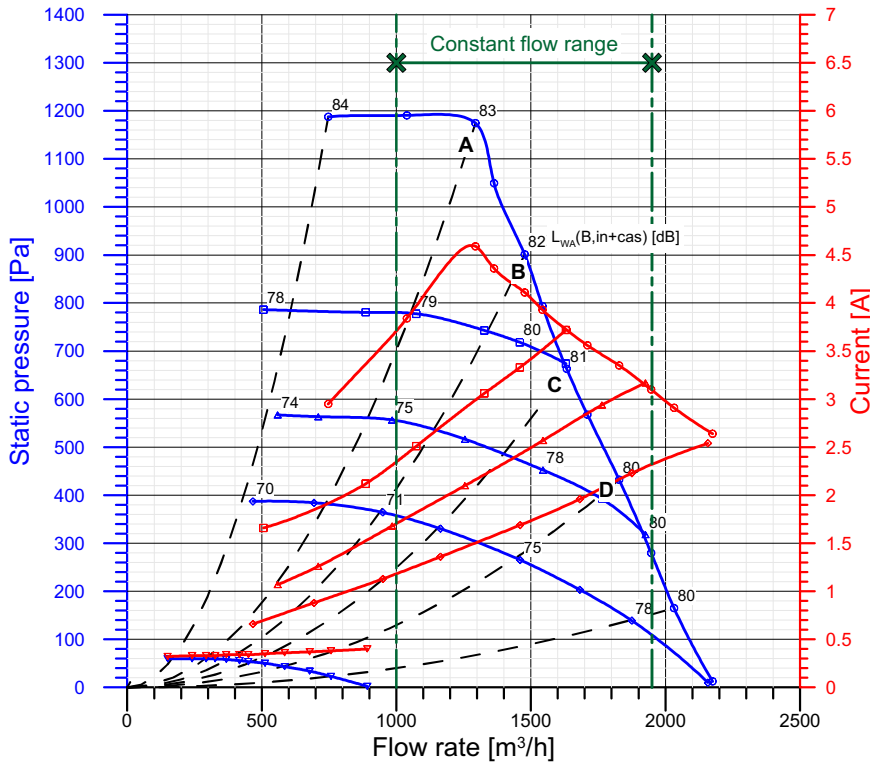


Type: DDMP 7/7 T 1kW 1Ph Motor: 1416A3+1431A5

Power: 1065 W (input, max)	Protection Cl.: IP 54 (Motor)
Poles: 8	Insulation Cl.: F
Voltage: 220-240 V	Thermal prot.: YES-Integral
Supply: 1~	Temp. Min: -20 °C
Frequency: 50-60 Hz	Temp. Max: +40 °C
Capacitor: n.a.	Current Max: 4.59 A

Performance data referring to:
Standard air density $\rho = 1.20 \text{ kg / m}^3$
Installation type "B": free inlet, ducted outlet
Sound Power Levels shown are
Inlet-side $L_{WA}(B, in+cas)$, A-weighted, in dBA

Integral speed-control by On-board Driver 1431A5



qv	pfs	Pe	n	I	η_T	
m³/h	Pa	W	rpm	A	%	
○ Maximum performance curve (10 V)						
A	1294	1174	1065	2977	4.59	43.6
B	1477	901	961	2676	4.11	45.0
C	1633	663	872	2415	3.72	44.3
D	1828	432	786	2159	3.35	43.4
□ Performance at 2430 rpm						
A	1074	778	594	2437	2.51	43.2
B	1327	743	721	2434	3.06	44.4
C	1630	674	872	2428	3.72	44.8
D	n.a.	n.a.	n.a.	n.a.	n.a.	n.a.
△ Performance at 2070 rpm						
A	984	557	395	2075	1.68	43.2
B	1255	517	497	2074	2.10	44.1
C	1545	452	607	2071	2.57	44.0
D	1764	392	694	2071	2.94	43.5
◇ Performance at 1710 rpm						
A	694	384	208	1717	0.88	38.7
B	950	364	268	1716	1.13	42.2
C	1164	330	322	1714	1.36	42.9
D	1460	265	400	1712	1.69	42.4
▽ Performance at 700 rpm						
A	293	60	39	697	0.33	13.6
B	368	58	42	696	0.34	16.4
C	450	54	45	697	0.34	19.0
D	585	43	50	696	0.36	22.0

ErP Data acc. to Reg. 327/11/CE

Performance referred to the best efficiency duty point

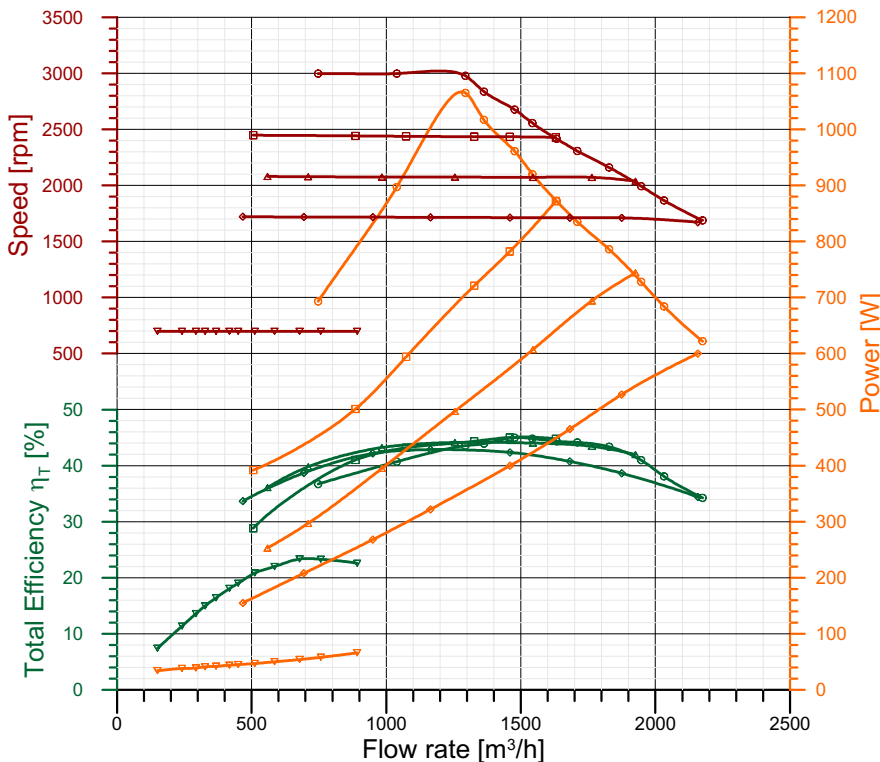
Compl. with Reg. 327/11/EC: Tier II (2015)
Overall Efficiency ($\eta \times C_c$) [%]: 49.0
Measurement category: B
Efficiency category: Total
Efficiency grade N [%]: 55.4
A variable speed drive is integrated with this fan
Manufactured since: 2016
By:
Regal Beloit Italy S.p.A.
Via Modena 18
24040 Ciserano - Italy
Power input [kW]: 0.961
Volume flow rate qv [m³/s]: 0.410
Total Pressure [Pa]: 1057
Speed [rpm]: 2676
Specific ratio: 1.01

Information on:

- Disassembly, recycling and disposal at end of life
- Optimal installation, use and maintenance of fans

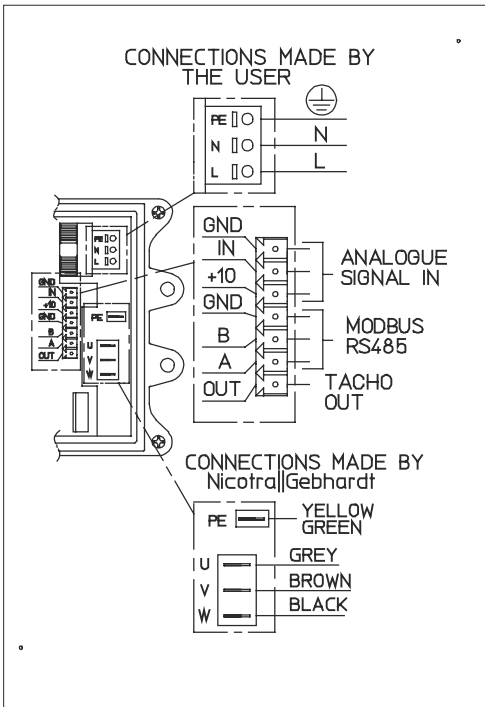
are freely downloadable from
www.nicotra-gebhardt.com

Testing is carried out with the optional components of the test airway required, according to ISO 5801:2007, for the installation type detailed here on top.



Test nr.: S4924-000/2/3/4/6

WIRING DIAGRAM

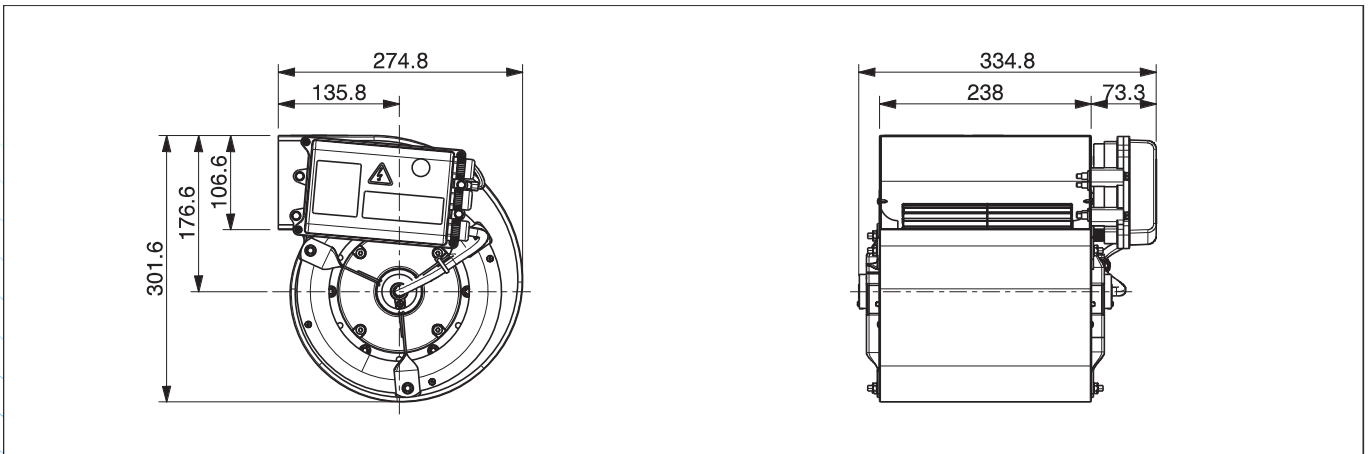


NOISE DATA

Working point	Sound power level for inlet side (Lw) in dB									
	m ³ /h	63	125	250	500	1k	2k	4k	8kHz	LwA
230 V / 50 Hz	1294	55,1	76,3	82,2	77,0	76,8	78,8	72,3	68,1	83,4
F.M.W.L.	1477	68,5	74,4	80,0	74,8	75,6	78,2	70,9	66,6	82,3
	1633	61,3	72,7	78,0	73,2	75,0	76,7	70,0	65,7	81,0
	1828	63,4	69,1	75,7	72,4	74,9	75,7	69,4	65,3	80,2
230 V / 50 Hz	1074	64,7	73,7	76,4	71,9	72,5	74,1	67,3	62,5	78,6
2430 rpm	1327	64,3	72,3	77,4	73,3	73,9	75,0	68,5	64,0	79,7
	1630	58,5	70,8	77,6	73,3	75,0	76,4	69,9	65,5	80,9
	N.A.	N.A.	N.A.	N.A.	N.A.	N.A.	N.A.	N.A.	N.A.	N.A.
230 V / 50 Hz	984	68,3	68,4	73,5	68,9	69,9	69,8	63,6	58,5	75,1
2070 rpm	1255	61,2	67,2	74,5	69,5	71,3	71,3	65,1	60,3	76,4
	1545	65,9	67,3	75,3	70,8	72,3	72,9	66,7	62,3	77,8
	1764	64,9	67,5	75,7	71,7	73,8	74,6	68,4	64,2	79,2
230 V / 50 Hz	694	62,5	64,9	68,7	64,1	65,4	63,9	57,6	51,9	69,9
1710 rpm	950	60,0	64,3	70,7	65,9	66,6	65,4	59,3	54,0	71,4
	1164	59,0	65,7	71,2	66,7	68,3	67,4	60,8	55,9	73,0
	1460	60,0	66,1	71,8	68,1	69,7	69,6	63,5	58,9	74,8
230 V / 50 Hz	293	N.A.	N.A.	N.A.	N.A.	N.A.	N.A.	N.A.	N.A.	N.A.
700 rpm	368	N.A.	N.A.	N.A.	N.A.	N.A.	N.A.	N.A.	N.A.	N.A.
	450	N.A.	N.A.	N.A.	N.A.	N.A.	N.A.	N.A.	N.A.	N.A.
	585	N.A.	N.A.	N.A.	N.A.	N.A.	N.A.	N.A.	N.A.	N.A.

DIMENSIONAL DRAWINGS

6DA003JZZ0000000 - DDMP 7/7 T M6A3 DA5



6DA003JZZU000000 - DDMP 7/7 T M6A3 DA5+FL

