

Type: DDMP 225/240 1kW 1Ph
 Motor: 1416A1+1431A5

Power: 1044 W (input, max) Protection Cl.: IP 54 (Motor)
 Poles: 8 Insulation Cl.: F
 Voltage: 220-240 V Thermal prot.: YES-Integral
 Supply: 1~ Temp. Min: -20 °C
 Frequency: 50-60 Hz Temp. Max: +40 °C
 Capacitor: n.a. Current Max: 4.48 A

Performance data referring to:
 Standard air density $\rho = 1.20 \text{ kg/m}^3$
 Installation type "B": free inlet, ducted outlet

Sound Power Levels shown are
 Inlet-side $L_{WA}(B, in+cas)$, A-weighted, in dBA

Integral speed-control by
 On-board Driver 1431A5

| | qv m3/h | pfs Pa | Pe W | n rpm | I A | η_T % |
|------------------------------------|------------|-----------|---------|----------|--------|---------------|
| ○ Maximum performance curve (10 V) | | | | | | |
| A | 1221 | 732 | 609 | 1998 | 2.59 | 41.4 |
| B | 2355 | 703 | 1044 | 1973 | 4.47 | 47.0 |
| C | 2860 | 464 | 974 | 1672 | 4.17 | 43.6 |
| D | 2980 | 356 | 890 | 1529 | 3.80 | 40.3 |
| □ Performance at 1600 rpm | | | | | | |
| A | 1010 | 505 | 353 | 1662 | 1.50 | 40.9 |
| B | 1985 | 493 | 612 | 1658 | 2.62 | 47.4 |
| C | 2714 | 461 | 891 | 1649 | 3.80 | 44.3 |
| D | 2985 | 352 | 891 | 1523 | 3.80 | 40.0 |
| △ Performance at 1400 rpm | | | | | | |
| A | 868 | 375 | 238 | 1441 | 1.02 | 38.6 |
| B | 1717 | 369 | 401 | 1439 | 1.72 | 46.8 |
| C | 2467 | 340 | 612 | 1437 | 2.63 | 44.0 |
| D | 2852 | 307 | 744 | 1436 | 3.20 | 40.2 |
| ◇ Performance at 1000 rpm | | | | | | |
| A | 574 | 178 | 88 | 994 | 0.40 | 32.8 |
| B | 1185 | 173 | 142 | 993 | 0.62 | 42.9 |
| C | 1667 | 160 | 203 | 992 | 0.88 | 42.1 |
| D | 1946 | 145 | 244 | 992 | 1.05 | 39.5 |
| ▽ Performance at 400 rpm | | | | | | |
| A | 219 | 27 | 20 | 398 | 0.30 | 8.3 |
| B | 447 | 27 | 25 | 398 | 0.30 | 14.0 |
| C | 654 | 24 | 31 | 398 | 0.32 | 16.4 |
| D | 748 | 23 | 34 | 398 | 0.32 | 16.8 |

ErP Data acc. to Reg. 327/11/CE

Performance referred to the best efficiency duty point

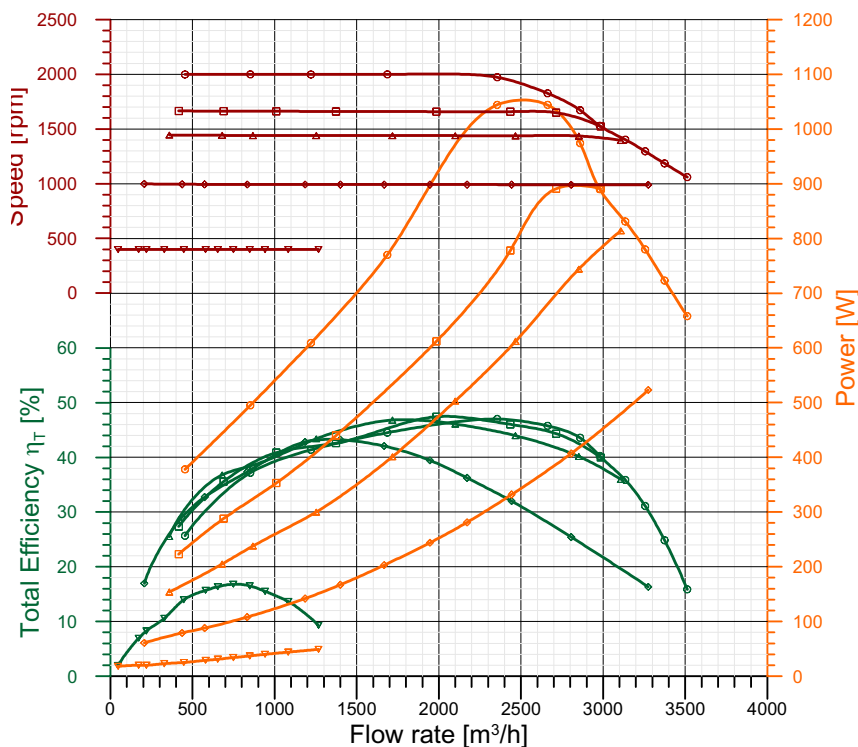
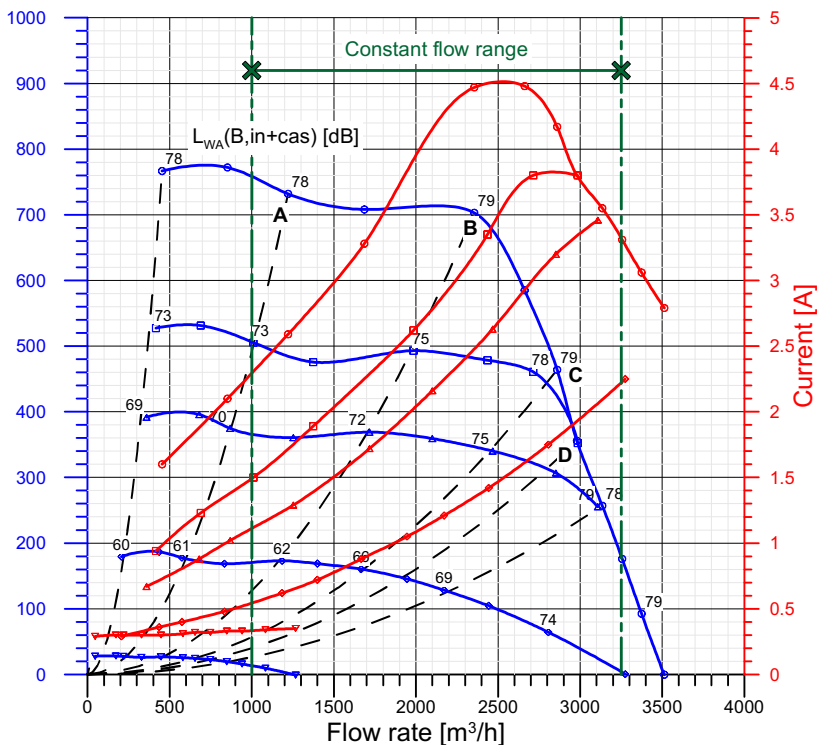
Compl. with Reg. 327/11/EC: Tier II (2015)
 Overall Efficiency ($\eta_T \times C_c$) [%]: 51.1
 Measurement category: B
 Efficiency category: Total
 Efficiency grade N [%]: 57.3
 A variable speed drive is integrated with this fan
 Manufactured since: 2016
 By:
 Regal Beloit Italy S.p.A.
 Via Modena 18
 24040 Ciserano - Italy
 Power input [kW]: 1.044
 Volume flow rate qv [m³/s]: 0.654
 Total Pressure [Pa]: 751
 Speed [rpm]: 1973
 Specific ratio: 1.007

Information on:

- Disassembly, recycling and disposal at end of life
- Optimal installation, use and maintenance of fans

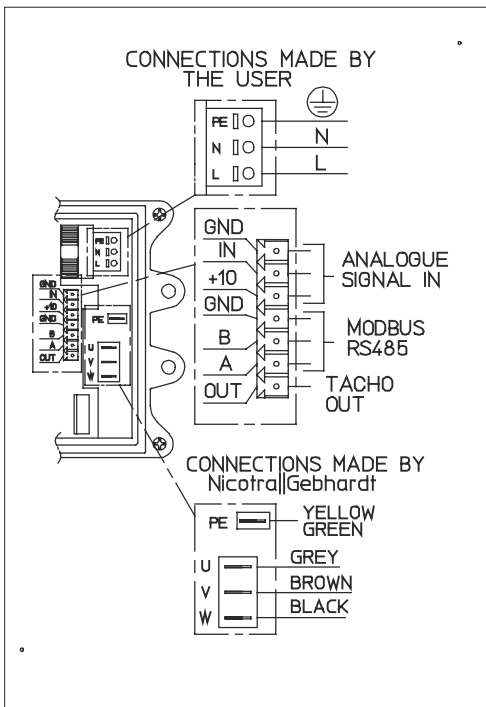
are freely downloadable from
www.nicotra-gebhardt.com

Testing is carried out with the optional components of the test airway required, according to ISO 5801:2007, for the installation type detailed here on top.



Test nr.: S4945-000/2/3/5/7

WIRING DIAGRAM

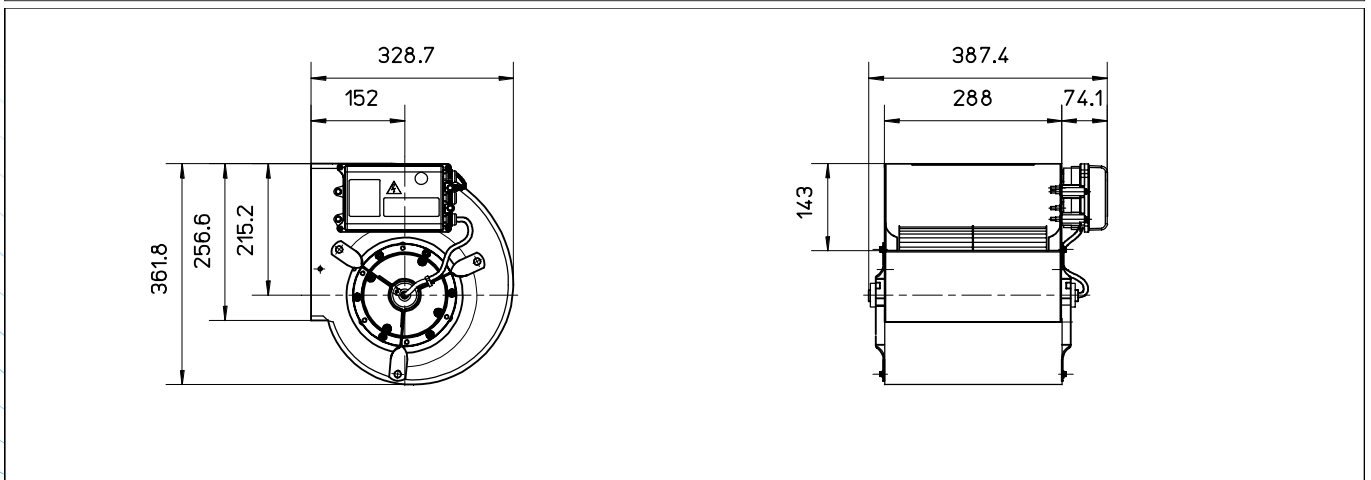


NOISE DATA

| Working point | Sound power level for inlet side (L _w) in dB | | | | | | | | | |
|---------------|--|------|------|------|------|------|------|------|------|-----------------|
| | m ³ /h | 63 | 125 | 250 | 500 | 1k | 2k | 4k | 8kHz | L _{wA} |
| 230 V / 50 Hz | 1221 | 56,8 | 82,1 | 81,4 | 74,1 | 70,9 | 69,7 | 64,9 | 62,3 | 78,2 |
| F.M.W.L. | 2355 | 73,9 | 82,3 | 82,5 | 73,9 | 72,8 | 71,3 | 66,7 | 64,8 | 79,4 |
| | 2860 | 69,3 | 78,3 | 80,2 | 73,7 | 73,3 | 70,6 | 66,2 | 63,7 | 78,5 |
| | 2980 | 69,9 | 80,0 | 79,3 | 73,0 | 72,4 | 70,4 | 66,0 | 63,4 | 78,0 |
| 230 V / 50 Hz | 1010 | 59,8 | 77,1 | 76,5 | 69,4 | 66,4 | 64,8 | 60,1 | 56,9 | 73,4 |
| 1600 rpm | 1985 | 71,1 | 78,6 | 78,6 | 70,9 | 68,9 | 66,6 | 62,6 | 60,2 | 75,4 |
| | 2714 | 70,9 | 78,9 | 80,3 | 73,1 | 72,4 | 69,7 | 65,2 | 62,9 | 78,0 |
| | 2985 | 69,2 | 79,0 | 79,8 | 73,7 | 72,4 | 70,6 | 65,9 | 63,2 | 78,2 |
| 230 V / 50 Hz | 868 | 60,5 | 73,8 | 73,8 | 66,4 | 62,8 | 61,2 | 56,3 | 53,3 | 70,2 |
| 1400 rpm | 1717 | 70,3 | 74,3 | 74,5 | 67,6 | 65,7 | 63,2 | 59,2 | 56,0 | 71,9 |
| | 2467 | 66,1 | 76,7 | 77,3 | 70,8 | 69,3 | 66,8 | 62,3 | 59,6 | 75,1 |
| | 2852 | 67,9 | 75,3 | 79,0 | 72,8 | 71,7 | 69,1 | 64,7 | 61,9 | 77,1 |
| 230 V / 50 Hz | 574 | 58,6 | 65,3 | 63,1 | 58,3 | 54,2 | 51,5 | 44,5 | 39,8 | 60,8 |
| 1000 rpm | 1185 | 58,5 | 64,7 | 63,3 | 59,6 | 56,1 | 54,2 | 48,8 | 41,6 | 62,3 |
| | 1667 | 53,4 | 67,2 | 67,2 | 63,2 | 58,7 | 57,2 | 52,6 | 46,6 | 65,6 |
| | 1946 | 59,2 | 68,6 | 68,3 | 64,9 | 61,2 | 59,3 | 54,9 | 50,1 | 67,4 |
| 230 V / 50 Hz | 219 | N.A. | N.A. | N.A. | N.A. | N.A. | N.A. | N.A. | N.A. | N.A. |
| 400 rpm | 447 | N.A. | N.A. | N.A. | N.A. | N.A. | N.A. | N.A. | N.A. | N.A. |
| | 654 | N.A. | N.A. | N.A. | N.A. | N.A. | N.A. | N.A. | N.A. | N.A. |
| | 748 | N.A. | N.A. | N.A. | N.A. | N.A. | N.A. | N.A. | N.A. | N.A. |

DIMENSIONAL DRAWINGS

6DA00UTZZ000000 - DDMP 225/240 M6A1 DA5



6DA00UTZZ000001 - DDMP 225/240 M6A1+FL

