

Type: DDMP 10/8 1kW 1Ph Motor: 1416A2+1431A5

Power: 1036 W (input, max) Protection Cl.: IP 54 (Motor)
 Poles: 8 Insulation Cl.: F
 Voltage: 220-240 V Thermal prot.: YES-Integral
 Supply: 1~ Temp. Min: -20 °C
 Frequency: 50-60 Hz Temp. Max: +40 °C
 Capacitor: n.a. Current Max: 4.51 A

Performance data referring to:
 Standard air density $\rho = 1.20 \text{ kg/m}^3$
 Installation type "B": free inlet, ducted outlet

Sound Power Levels shown are
 Inlet-side $L_{WA}(B, in+cas)$, A-weighted, in dBA

Integral speed-control by On-board Driver 1431A5

| qv m ³ /h | pfs Pa | Pe W | n rpm | I A | η_T % | |
|---|-----------|---------|----------|--------|---------------|------|
| ○ Maximum performance curve (10 V) | | | | | | |
| A | 2229 | 786 | 1036 | 1741 | 4.51 | 49.3 |
| B | 2979 | 605 | 1031 | 1459 | 4.49 | 54.1 |
| C | 3253 | 520 | 1025 | 1357 | 4.46 | 53.1 |
| D | 3632 | 383 | 989 | 1208 | 4.31 | 49.6 |
| □ Performance at 1500 rpm | | | | | | |
| A | 1811 | 552 | 633 | 1491 | 2.74 | 45.9 |
| B | 2945 | 616 | 1034 | 1473 | 4.51 | 54.1 |
| C | n.a. | n.a. | n.a. | n.a. | n.a. | n.a. |
| D | n.a. | n.a. | n.a. | n.a. | n.a. | n.a. |
| △ Performance at 1250 rpm | | | | | | |
| A | 1610 | 398 | 400 | 1258 | 1.72 | 46.8 |
| B | 2588 | 445 | 661 | 1256 | 2.86 | 54.1 |
| C | 3018 | 441 | 805 | 1255 | 3.49 | 53.4 |
| D | 3560 | 414 | 1005 | 1242 | 4.38 | 50.6 |
| ◇ Performance at 1020 rpm | | | | | | |
| A | 1209 | 255 | 217 | 1022 | 0.94 | 41.3 |
| B | 2105 | 291 | 362 | 1022 | 1.56 | 52.6 |
| C | 2454 | 290 | 436 | 1021 | 1.88 | 52.7 |
| D | 2999 | 273 | 573 | 1019 | 2.49 | 50.0 |
| ▽ Performance at 400 rpm | | | | | | |
| A | 478 | 36 | 34 | 398 | 0.32 | 14.8 |
| B | 785 | 42 | 41 | 398 | 0.34 | 24.5 |
| C | 920 | 41 | 45 | 398 | 0.35 | 27.1 |
| D | 1112 | 38 | 51 | 398 | 0.36 | 28.9 |

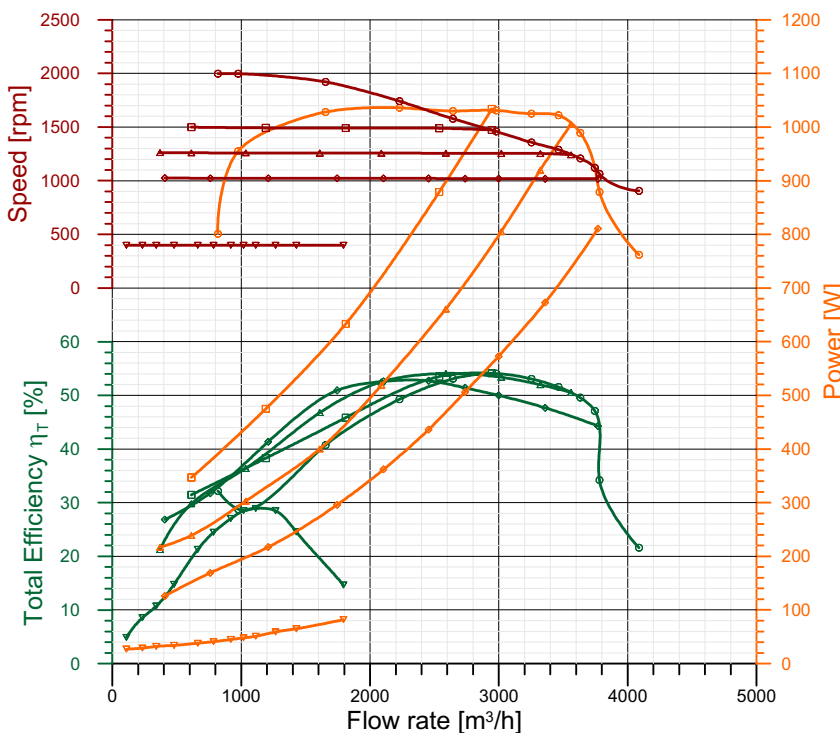
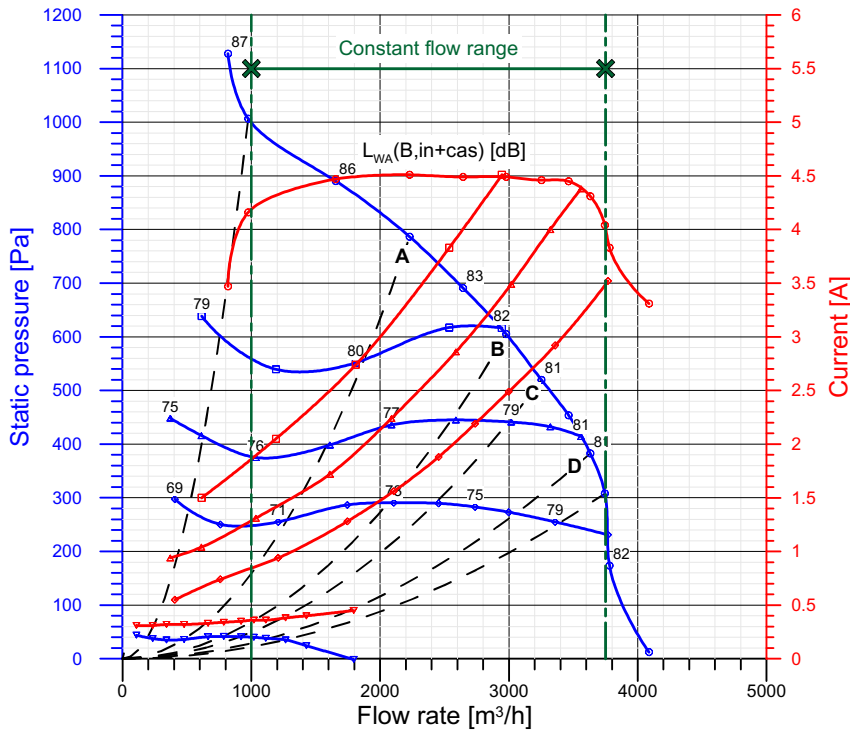
ErP Data acc. to Reg. 327/11/CE

Performance referred to the best efficiency duty point

Compl. with Reg. 327/11/EC: Tier II (2015)
 Overall Efficiency ($\eta \times Cc$) [%]: 58.8
 Measurement category: B
 Efficiency category: Total
 Efficiency grade N [%]: 65.0
 A variable speed drive is integrated with this fan
 Manufactured since: 2016
 By:
 Regal Beloit Italy S.p.A.
 Via Modena 18
 24040 Ciserano - Italy
 Power input [kW]: 1.031
 Volume flow rate qv [m³/s]: 0.828
 Total Pressure [Pa]: 675
 Speed [rpm]: 1459
 Specific ratio: 1.007

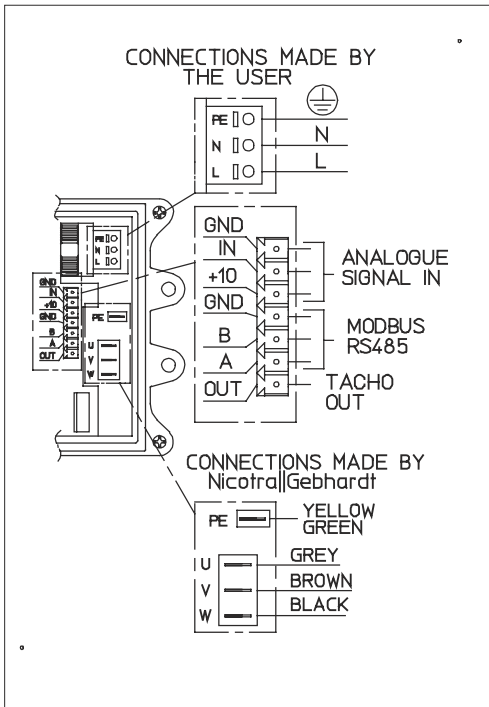
Information on:
 - Disassembly, recycling and disposal at end of life
 - Optimal installation, use and maintenance of fans
 are freely downloadable from
www.nicotra-gebhardt.com

Testing is carried out with the optional
 components of the test airway required,
 according to ISO 5801:2007, for the
 installation type detailed here on top.



Test nr.: S4917-000/2/3/4/6

WIRING DIAGRAM

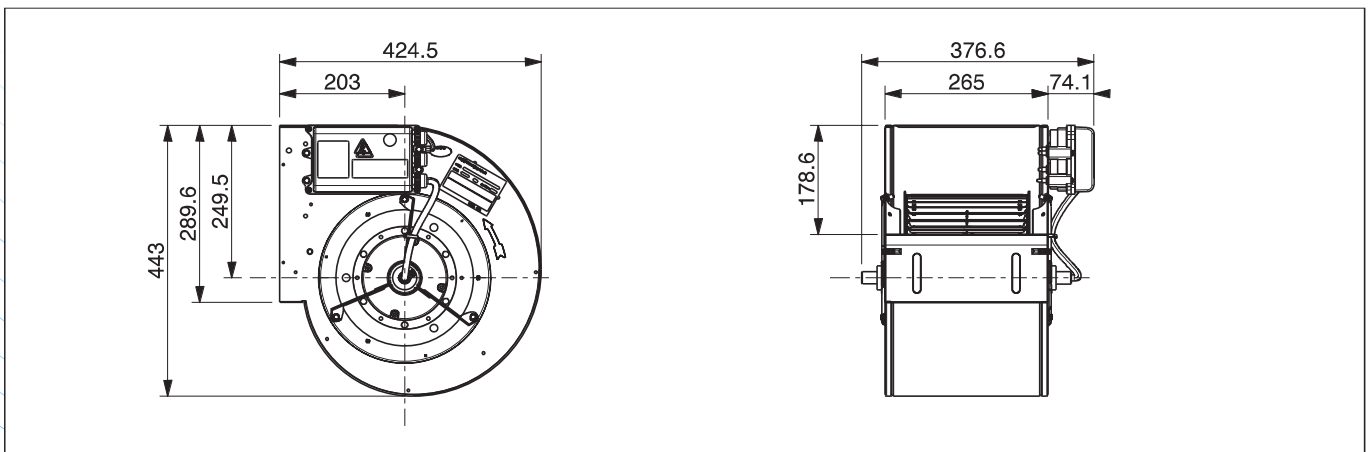


NOISE DATA

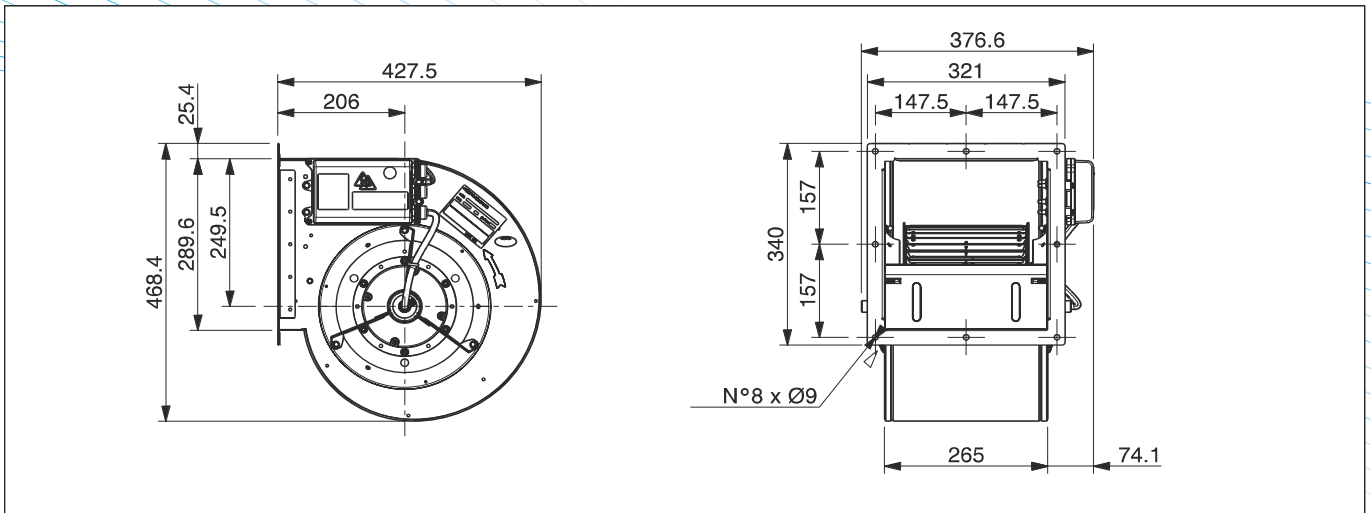
| Working point | Sound power level for inlet side (Lw) in dB | | | | | | | | | |
|---------------|---|------|------|------|------|------|------|------|------|------|
| | m ³ /h | 63 | 125 | 250 | 500 | 1k | 2k | 4k | 8kHz | LwA |
| 230 V / 50 Hz | 2229 | 80,5 | 89,6 | 89,2 | 75,9 | 75,8 | 73,9 | 71,0 | 66,0 | 84,0 |
| F.M.W.L. | 2979 | 69,6 | 80,8 | 84,7 | 74,5 | 76,9 | 72,4 | 70,3 | 65,2 | 81,7 |
| | 3253 | 69,0 | 80,9 | 83,1 | 73,8 | 75,6 | 72,8 | 70,2 | 65,4 | 80,8 |
| | 3632 | 71,0 | 80,1 | 81,9 | 72,8 | 76,6 | 74,3 | 71,4 | 66,0 | 81,3 |
| 230 V / 50 Hz | 1811 | 75,0 | 85,8 | 84,7 | 72,7 | 72,3 | 70,3 | 68,1 | 63,7 | 80,1 |
| 1500 rpm | 2945 | 70,4 | 81,3 | 84,3 | 74,1 | 77,2 | 72,2 | 69,8 | 65,3 | 81,5 |
| | N.A. | N.A. | N.A. | N.A. | N.A. | N.A. | N.A. | N.A. | N.A. | N.A. |
| | N.A. | N.A. | N.A. | N.A. | N.A. | N.A. | N.A. | N.A. | N.A. | N.A. |
| 230 V / 50 Hz | 1610 | 72,4 | 81,5 | 80,9 | 70,4 | 68,5 | 66,5 | 62,8 | 55,7 | 76,3 |
| 1250 rpm | 2588 | 65,9 | 79,5 | 80,0 | 72,7 | 71,8 | 68,9 | 65,9 | 60,2 | 77,5 |
| | 3018 | 67,4 | 79,0 | 80,0 | 73,3 | 73,6 | 71,2 | 68,8 | 63,4 | 78,9 |
| | 3560 | 68,7 | 78,8 | 80,8 | 73,7 | 75,7 | 74,0 | 70,8 | 65,6 | 80,7 |
| 230 V / 50 Hz | 1209 | 68,8 | 75,4 | 74,5 | 65,6 | 63,3 | 62,0 | 56,7 | 49,0 | 70,6 |
| 1020 rpm | 2105 | 45,7 | 74,8 | 76,1 | 67,9 | 66,5 | 64,5 | 60,1 | 52,7 | 72,8 |
| | 2454 | 63,5 | 73,4 | 75,7 | 68,7 | 68,4 | 66,7 | 62,1 | 55,2 | 73,9 |
| | 2999 | 68,5 | 76,4 | 77,0 | 70,3 | 72,3 | 70,4 | 65,8 | 59,8 | 77,0 |
| 230 V / 50 Hz | 478 | N.A. | N.A. | N.A. | N.A. | N.A. | N.A. | N.A. | N.A. | N.A. |
| 400 rpm | 785 | N.A. | N.A. | N.A. | N.A. | N.A. | N.A. | N.A. | N.A. | N.A. |
| | 920 | N.A. | N.A. | N.A. | N.A. | N.A. | N.A. | N.A. | N.A. | N.A. |
| | 1112 | N.A. | N.A. | N.A. | N.A. | N.A. | N.A. | N.A. | N.A. | N.A. |

DIMENSIONAL DRAWINGS

6DA0046ZZ0000000 - DDMP 10/8 M6A2



6DA0046ZZ0000001 - DDMP 10/8 M6A2 DA5+FL

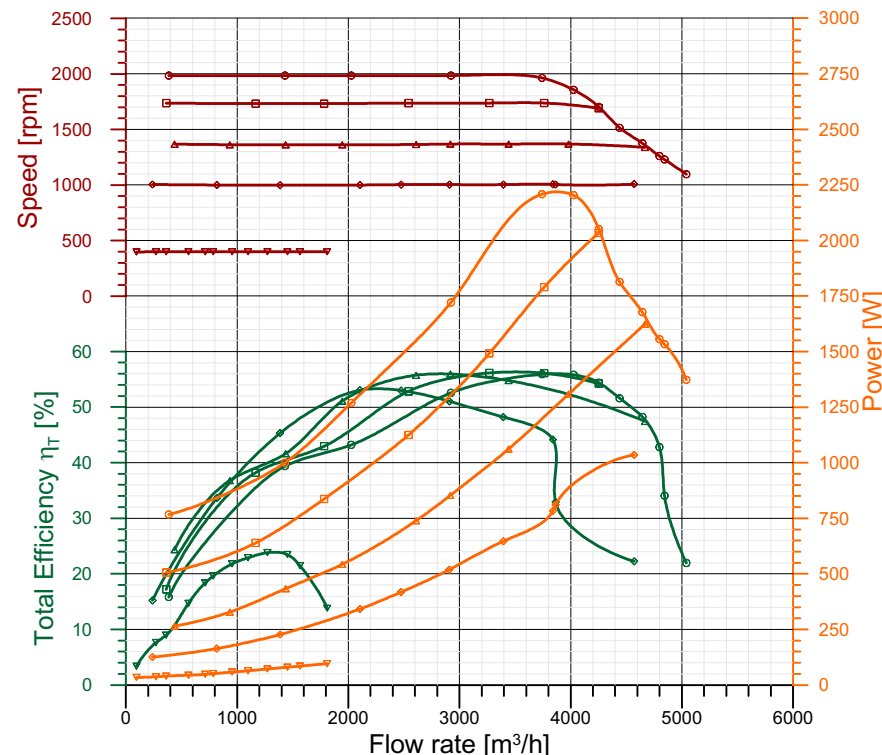
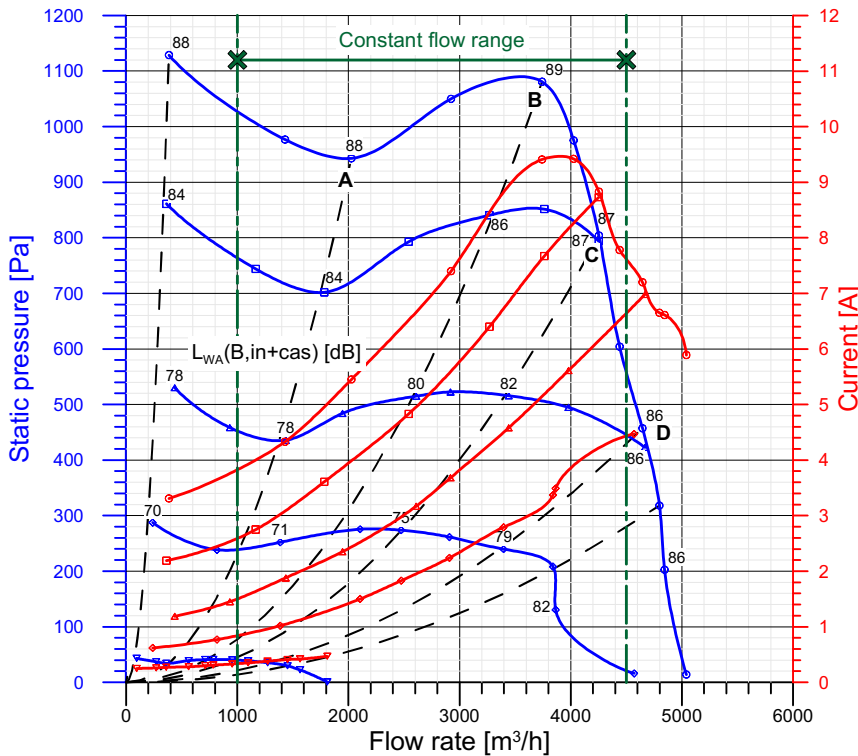


Type: DDMP 10/8 2kW 1Ph
Motor: 1416A4+1431A8

| | |
|----------------------------|-------------------------------|
| Power: 2208 W (input, max) | Protection Cl.: IP 54 (Motor) |
| Poles: 8 | Insulation Cl.: F |
| Voltage: 220-240 V | Thermal prot.: YES-Integral |
| Supply: 1~ | Temp. Min: -20 °C |
| Frequency: 50-60 Hz | Temp. Max: +40 °C |
| Capacitor: n.a. | Current Max: 9.42 A |

Performance data referring to:
 Standard air density $\rho = 1.20 \text{ kg / m}^3$
 Installation type "B": free inlet, ducted outlet

Sound Power Levels shown are
 Inlet-side $L_{WA}(B, in+cas)$, A-weighted, in dBA



Integral speed-control by On-board Driver 1431A8

| | qv m³/h | pfs Pa | Pe W | n rpm | I A | η_T % |
|---|------------|-----------|---------|----------|--------|---------------|
| ○ Maximum performance curve (10 V) | | | | | | |
| A | 2027 | 943 | 1269 | 1985 | 5.45 | 43.2 |
| B | 3742 | 1081 | 2208 | 1964 | 9.41 | 55.9 |
| C | 4253 | 804 | 2051 | 1703 | 8.83 | 54.4 |
| D | 4645 | 457 | 1677 | 1376 | 7.20 | 48.2 |
| □ Performance at 1730 rpm | | | | | | |
| A | 1783 | 702 | 837 | 1733 | 3.61 | 43.0 |
| B | 3269 | 841 | 1492 | 1738 | 6.40 | 56.2 |
| C | 4252 | 794 | 2034 | 1691 | 8.73 | 54.2 |
| D | n.a. | n.a. | n.a. | n.a. | n.a. | n.a. |
| △ Performance at 1370 rpm | | | | | | |
| A | 1436 | 436 | 433 | 1363 | 1.88 | 41.6 |
| B | 2610 | 515 | 739 | 1365 | 3.17 | 55.7 |
| C | 3442 | 516 | 1062 | 1369 | 4.58 | 54.8 |
| D | 4668 | 423 | 1624 | 1339 | 6.98 | 47.4 |
| ◇ Performance at 1000 rpm | | | | | | |
| A | 817 | 238 | 164 | 1000 | 0.77 | 33.6 |
| B | 2105 | 275 | 342 | 1000 | 1.50 | 53.0 |
| C | 2475 | 274 | 418 | 1004 | 1.83 | 53.0 |
| D | 3395 | 240 | 647 | 1004 | 2.79 | 48.2 |
| ▽ Performance at 400 rpm | | | | | | |
| A | 361 | 34 | 40 | 399 | 0.27 | 9.0 |
| B | 712 | 41 | 48 | 399 | 0.30 | 18.4 |
| C | 955 | 40 | 58 | 399 | 0.33 | 21.8 |
| D | 1272 | 35 | 72 | 399 | 0.38 | 23.8 |

ErP Data acc. to Reg. 327/11/CE

Performance referred to the best efficiency duty point

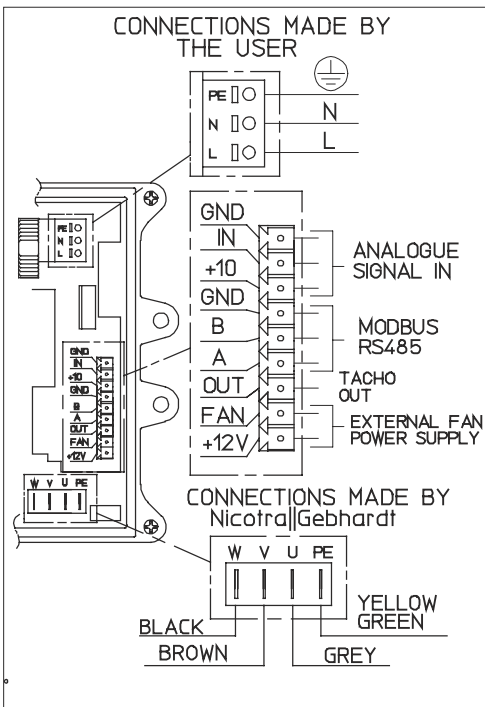
Compl. with Reg. 327/11/CE: Tier II (2015)
 Overall Efficiency ($\eta \times Cc$) [%]: 59.5
 Measurement category: B
 Efficiency category: Total
 Efficiency grade N [%]: 63.7
 A variable speed drive is integrated with this fan
 Manufactured since: 2016
 By: *Regal Beloit Italy S.p.A.*
Via Modena 18
24040 Ciserano - Italy
 Power input [kW]: 2.208
 Volume flow rate q_v [m³/s]: 1.039
 Total Pressure [Pa]: 1191
 Speed [rpm]: 1964
 Specific ratio: 1.012

Information on:
 - Disassembly, recycling and disposal at end of life
 - Optimal installation, use and maintenance of fans
 are freely downloadable from
www.nicotra-gebhardt.com

Testing is carried out with the optional components of the test airway required, according to ISO 5801:2007, for the installation type detailed here on top.

Test nr.: S5036-000/1/3/5/7

WIRING DIAGRAM

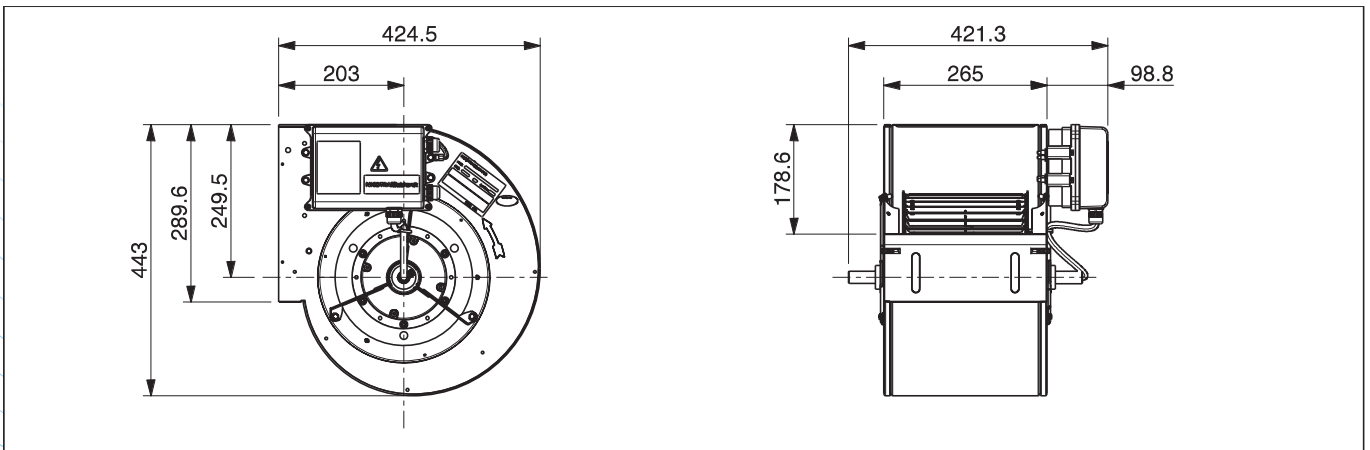


NOISE DATA

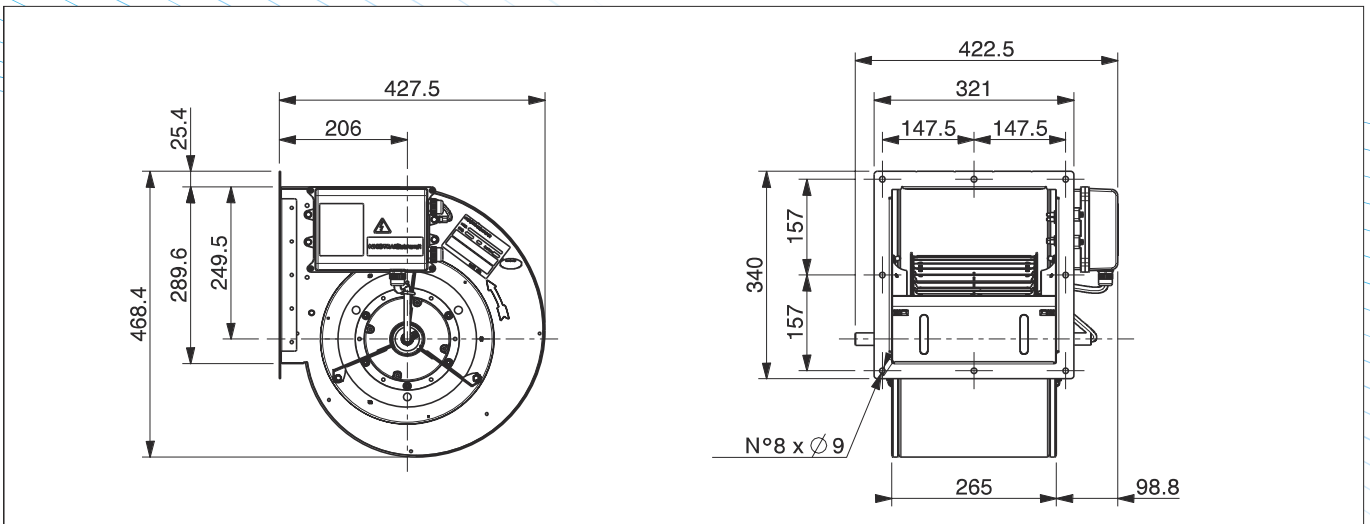
| Working point | Sound power level for inlet side (L _w) in dB | | | | | | | | | |
|---------------|--|------|------|------|------|------|------|------|------|-----------------|
| | m ³ /h | 63 | 125 | 250 | 500 | 1k | 2k | 4k | 8kHz | L _{wA} |
| 230 V / 50 Hz | 2027 | 86,0 | 92,0 | 92,4 | 85,7 | 78,9 | 78,0 | 73,4 | 68,3 | 88,3 |
| F.M.W.L. | 3742 | 74,3 | 86,5 | 90,4 | 88,1 | 81,6 | 80,2 | 75,9 | 71,8 | 89,2 |
| | 4253 | 74,0 | 81,4 | 87,9 | 80,4 | 82,0 | 80,1 | 76,1 | 72,0 | 86,9 |
| | 4645 | 75,2 | 83,5 | 84,1 | 77,7 | 82,0 | 79,4 | 76,2 | 72,3 | 86,1 |
| 230 V / 50 Hz | 1783 | 54,4 | 90,0 | 89,2 | 78,1 | 76,1 | 74,2 | 69,8 | 64,1 | 84,3 |
| 1730 rpm | 3269 | 75,3 | 85,3 | 91,2 | 79,8 | 78,8 | 76,7 | 72,9 | 68,5 | 86,1 |
| | 4252 | 75,3 | 82,0 | 88,9 | 78,7 | 81,7 | 79,8 | 76,0 | 72,0 | 86,8 |
| | N.A. | N.A. | N.A. | N.A. | N.A. | N.A. | N.A. | N.A. | N.A. | N.A. |
| 230 V / 50 Hz | 1436 | 79,7 | 83,9 | 82,9 | 72,5 | 71,1 | 69,1 | 64,1 | 56,6 | 78,5 |
| 1370 rpm | 2610 | 67,1 | 82,3 | 82,9 | 73,6 | 73,5 | 71,2 | 70,2 | 64,6 | 79,9 |
| | 3442 | 70,0 | 82,4 | 81,2 | 75,1 | 77,2 | 75,0 | 71,9 | 66,5 | 81,9 |
| | 4668 | 76,4 | 83,3 | 84,7 | 78,0 | 81,8 | 79,2 | 75,8 | 72,3 | 86,0 |
| 230 V / 50 Hz | 817 | 74,5 | 78,4 | 74,4 | 66,8 | 62,8 | 61,7 | 55,1 | 45,0 | 71,0 |
| 1000 rpm | 2105 | 65,1 | 74,1 | 75,4 | 69,3 | 67,0 | 65,4 | 60,2 | 51,8 | 73,2 |
| | 2475 | 67,7 | 74,3 | 76,0 | 70,1 | 69,8 | 67,8 | 62,8 | 55,3 | 75,0 |
| | 3395 | 70,5 | 78,3 | 78,1 | 72,4 | 74,3 | 72,8 | 69,0 | 63,1 | 79,1 |
| 230 V / 50 Hz | 361 | N.A. | N.A. | N.A. | N.A. | N.A. | N.A. | N.A. | N.A. | N.A. |
| 400 rpm | 712 | N.A. | N.A. | N.A. | N.A. | N.A. | N.A. | N.A. | N.A. | N.A. |
| | 955 | N.A. | N.A. | N.A. | N.A. | N.A. | N.A. | N.A. | N.A. | N.A. |
| | 1272 | N.A. | N.A. | N.A. | N.A. | N.A. | N.A. | N.A. | N.A. | N.A. |

DIMENSIONAL DRAWINGS

6DB0046ZZ0000000 - DDMP 10/8 M6A4



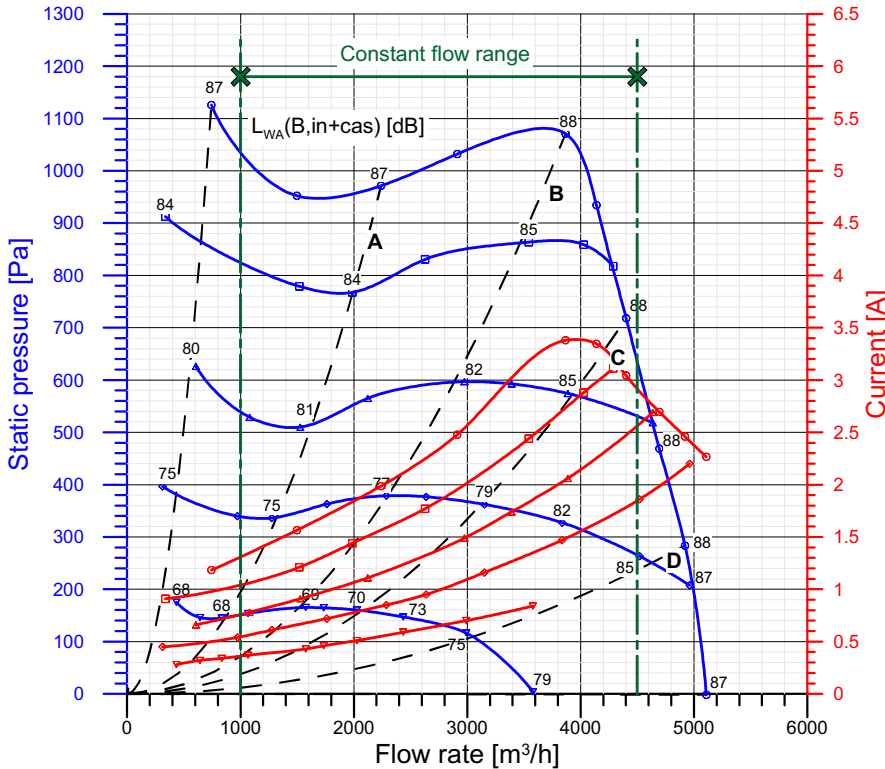
6DB0046ZZ0000001 - DDMP 10/8 M6A4 DA8+FL



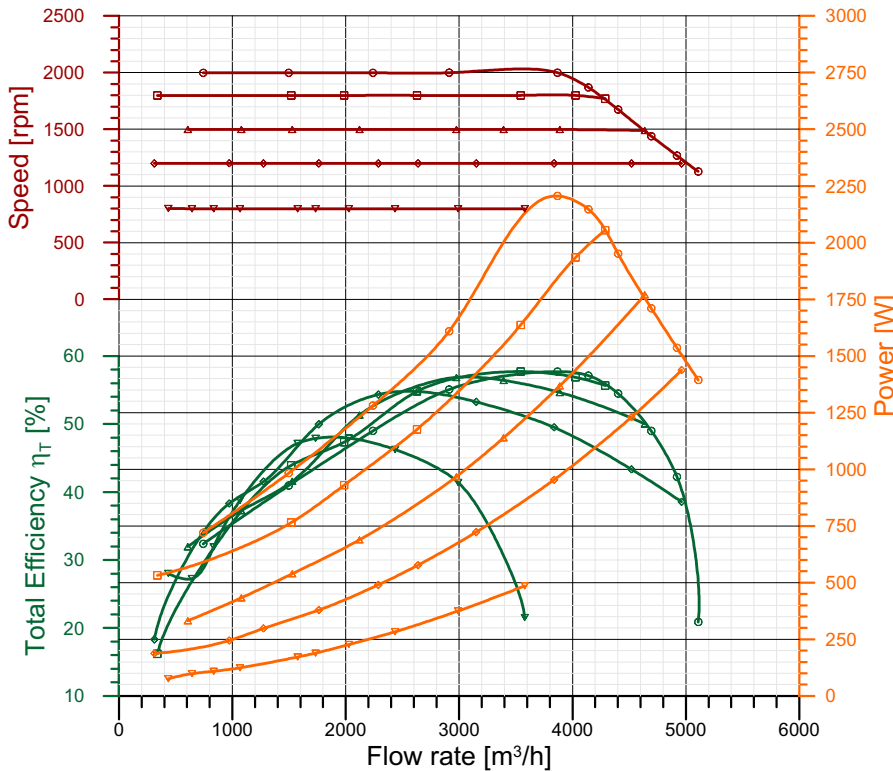
| | | | |
|------------|---------------------|-----------------|---------------|
| Power: | 2210 W (input, max) | Protection Cl.: | IP 54 (Motor) |
| Poles: | 8 | Insulation Cl.: | F |
| Voltage: | 400 V | Thermal prot.: | YES-Integral |
| Supply: | 3~ | Temp. Min: | -20 °C |
| Frequency: | 50-60 Hz | Temp. Max: | +40(+50) °C |
| Capacitor: | n.a. | Current Max: | 3.43 A |

Performance data referring to:
 Standard air density $\rho = 1.20 \text{ kg/m}^3$
 Installation type "B": free inlet, ducted outlet
 Sound Power Levels shown are
 Inlet-side $L_{WA}(B, in+cas)$, A-weighted, in dBA

Integral speed-control by On-board Driver 1431G0



| | qv m³/h | pfs Pa | Pe W | n rpm | I A | η_T % |
|---|------------|-----------|---------|----------|--------|---------------|
| ○ Maximum performance curve (10 V) | | | | | | |
| A | 2240 | 971 | 1281 | 1998 | 1.99 | 49.0 |
| B | 3867 | 1071 | 2206 | 1999 | 3.38 | 57.7 |
| C | 4402 | 718 | 1951 | 1674 | 3.04 | 54.5 |
| D | 4921 | 283 | 1536 | 1267 | 2.46 | 42.2 |
| □ Performance at 1800 rpm | | | | | | |
| A | 1986 | 768 | 930 | 1799 | 1.44 | 47.3 |
| B | 3543 | 864 | 1637 | 1799 | 2.44 | 57.7 |
| C | n.a. | n.a. | n.a. | n.a. | n.a. | n.a. |
| D | n.a. | n.a. | n.a. | n.a. | n.a. | n.a. |
| △ Performance at 1500 rpm | | | | | | |
| A | 1528 | 510 | 539 | 1499 | 0.91 | 41.6 |
| B | 2975 | 597 | 967 | 1498 | 1.49 | 56.9 |
| C | 3887 | 574 | 1368 | 1498 | 2.06 | 54.7 |
| D | n.a. | n.a. | n.a. | n.a. | n.a. | n.a. |
| ◇ Performance at 1200 rpm | | | | | | |
| A | 1275 | 336 | 298 | 1199 | 0.61 | 41.5 |
| B | 2287 | 379 | 490 | 1199 | 0.85 | 54.3 |
| C | 3150 | 362 | 723 | 1199 | 1.16 | 53.3 |
| D | 4520 | 263 | 1230 | 1199 | 1.86 | 43.3 |
| ▽ Performance at 800 rpm | | | | | | |
| A | 835 | 145 | 109 | 799 | 0.34 | 31.9 |
| B | 1576 | 165 | 172 | 799 | 0.43 | 47.2 |
| C | 2027 | 160 | 227 | 799 | 0.51 | 47.9 |
| D | 2991 | 116 | 375 | 799 | 0.70 | 41.4 |



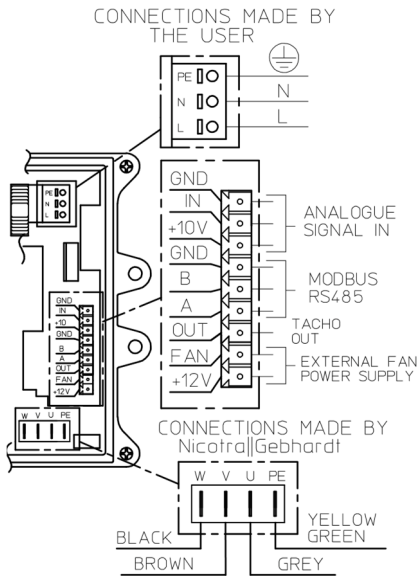
ErP Data acc. to Reg. 327/11/CE
 Performance referred to the best efficiency duty point

Compl. with Reg. 327/11/EC: Tier II (2015)
 Overall Efficiency ($\eta \times Cc$) [%]: 61.4
 Measurement category: B
 Efficiency category: Total
 Efficiency grade N [%]: 65.6
 A variable speed drive is integrated with this fan
 Manufactured since: 2019
 By: *Regal Beloit Italy S.p.A.*
Via Modena 18
24040 Ciserano - Italy
 Power input [kW]: 2.206
 Volume flow rate q_v [m³/s]: 1.074
 Total Pressure [Pa]: 1188
 Speed [rpm]: 1999
 Specific ratio: 1.012
 Information on:
 - Disassembly, recycling and disposal at end of life
 - Optimal installation, use and maintenance of fans
 are freely downloadable from
www.nicotra-gebhardt.com
 Testing is carried out with the optional components of the test airway required, according to ISO 5801:2007, for the installation type detailed here on top.

Test nr.: S5666 Date: 29/01/2019
 Laboratory: Nicotra Gebhardt S.p.A. - Zingonia
 Test chamber: 10000 m³/h
 Produced with NG Fan Datasheet Template Ver. B-BC+FC-1.3, on 02/03/2021

This test data obtained in a laboratory registered by AMCA for AMCA 210/07 air performance testing. Data is not certified by AMCA.

WIRING DIAGRAM SCHEMA DI COLLEGAMENTO

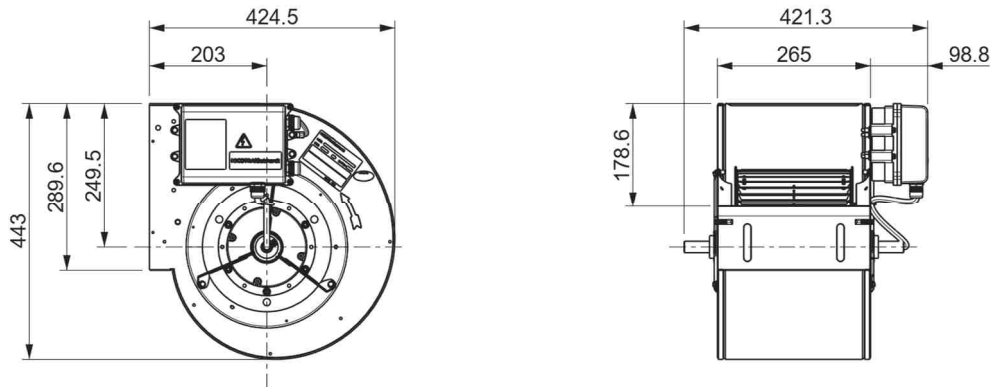


NOISE DATA DATI DI RUMORE

| Working point | | Sound power level for inlet side (Lw) in dB | | | | | | | | | |
|---------------|---|---|------|------|------|------|------|------|------|------|-------------|
| | | m ³ /h | 63 | 125 | 250 | 500 | 1k | 2k | 4k | 8kHz | LwA |
| 230 V / 50 Hz | A | 2240 | 87 | 92 | 92 | 81 | 80 | 77 | 73 | 68 | 87 |
| Fan Maximum | B | 3867 | 73 | 86 | 90 | 82 | 82 | 80 | 75 | 72 | 88 |
| Working | C | 4402 | 76 | 85 | 87 | 81 | 84 | 79 | 75 | 71 | 88 |
| Limit | D | 4921 | 81 | 83 | 85 | 86 | 83 | 79 | 76 | 72 | 88 |
| 230 V / 50 Hz | A | 1986 | 82 | 90 | 89 | 78 | 77 | 75 | 71 | 65 | 84 |
| 1800 rpm | B | 3543 | 74 | 84 | 87 | 80 | 80 | 77 | 73 | 69 | 85 |
| | C | n.a. | n.a. | n.a. | n.a. | n.a. | n.a. | n.a. | n.a. | n.a. | n.a. |
| | D | n.a. | n.a. | n.a. | n.a. | n.a. | n.a. | n.a. | n.a. | n.a. | n.a. |
| 230 V / 50 Hz | A | 1528 | 78 | 84 | 84 | 75 | 73 | 71 | 71 | 64 | 81 |
| 1500 rpm | B | 2975 | 75 | 82 | 84 | 77 | 77 | 73 | 74 | 68 | 82 |
| | C | 3887 | 73 | 82 | 88 | 78 | 80 | 76 | 74 | 69 | 85 |
| | D | n.a. | n.a. | n.a. | n.a. | n.a. | n.a. | n.a. | n.a. | n.a. | n.a. |
| 230 V / 50 Hz | A | 1275 | 75 | 79 | 79 | 70 | 68 | 66 | 60 | 52 | 75 |
| 1200 rpm | B | 2287 | 66 | 81 | 80 | 72 | 70 | 68 | 63 | 56 | 77 |
| | C | 3150 | 68 | 85 | 80 | 74 | 74 | 72 | 67 | 61 | 79 |
| | D | 4520 | 78 | 85 | 84 | 77 | 80 | 77 | 74 | 70 | 85 |
| 230 V / 50 Hz | A | 835 | 68 | 70 | 68 | 64 | 65 | 57 | 48 | 37 | 68 |
| 800 rpm | B | 1576 | 64 | 70 | 70 | 65 | 66 | 59 | 51 | 41 | 69 |
| | C | 2027 | 64 | 71 | 70 | 67 | 66 | 63 | 55 | 47 | 70 |
| | D | 2991 | 74 | 72 | 74 | 71 | 70 | 69 | 64 | 58 | 75 |

DIMENSIONAL DRAWINGS DISEGNI DIMENSIONALI

6DD0046ZZ0000000 - DDMP 10/8 2.2kW 400V-3F M6A4-DG0



6DD0046ZZ0000001 - DDMP 10/8 2.2kW 400V-3F M6A4-DG0 +FL

