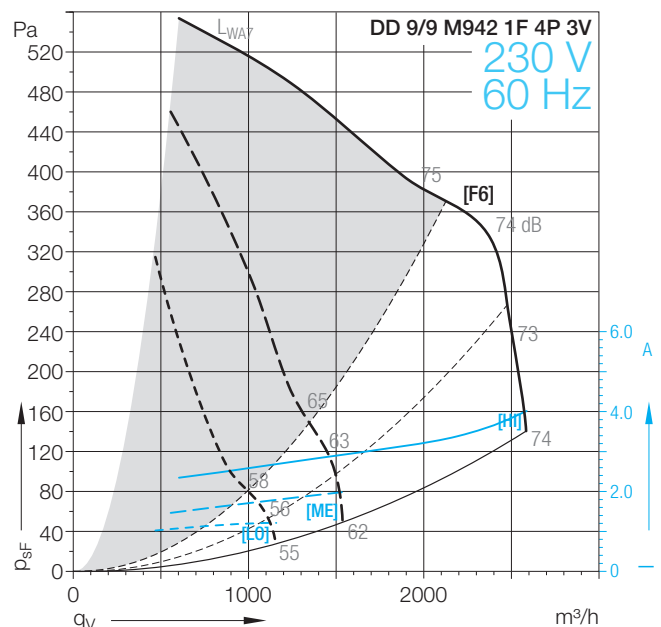
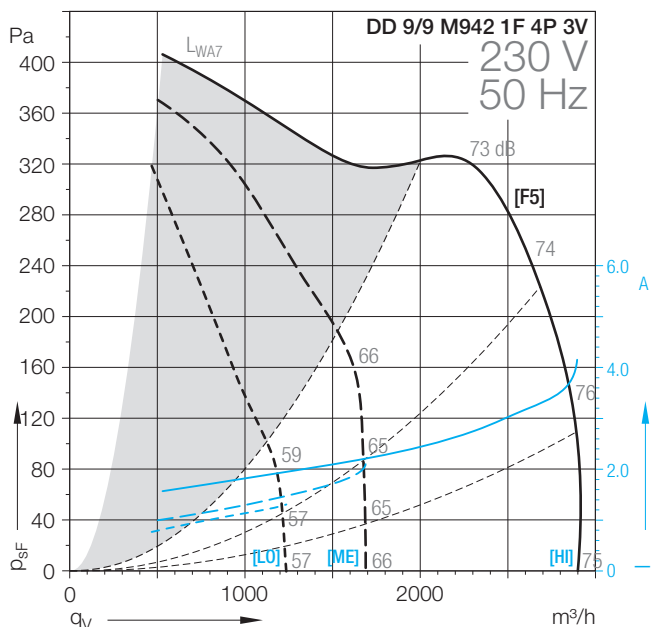
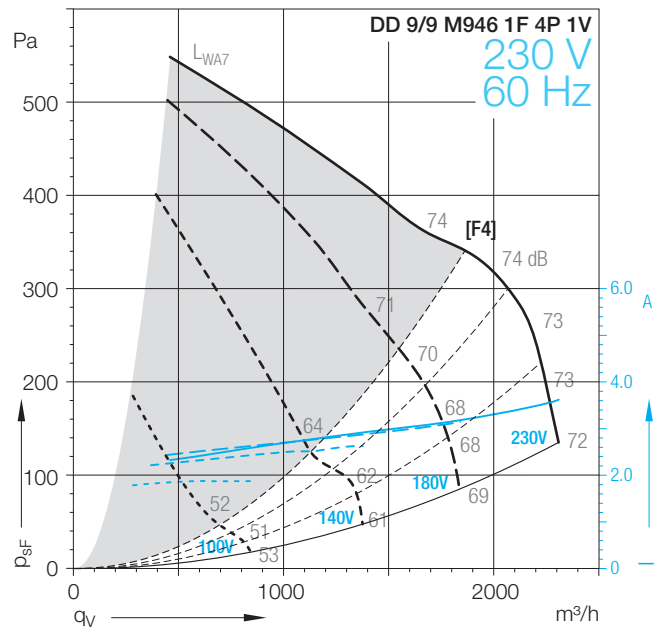
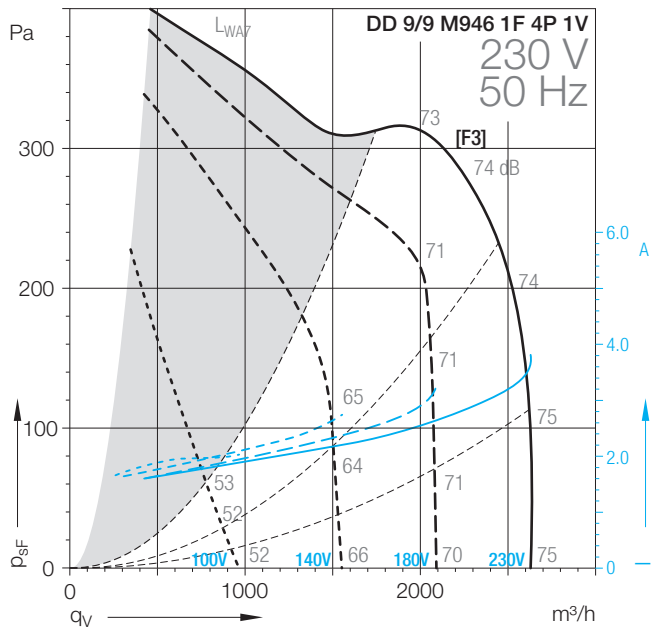
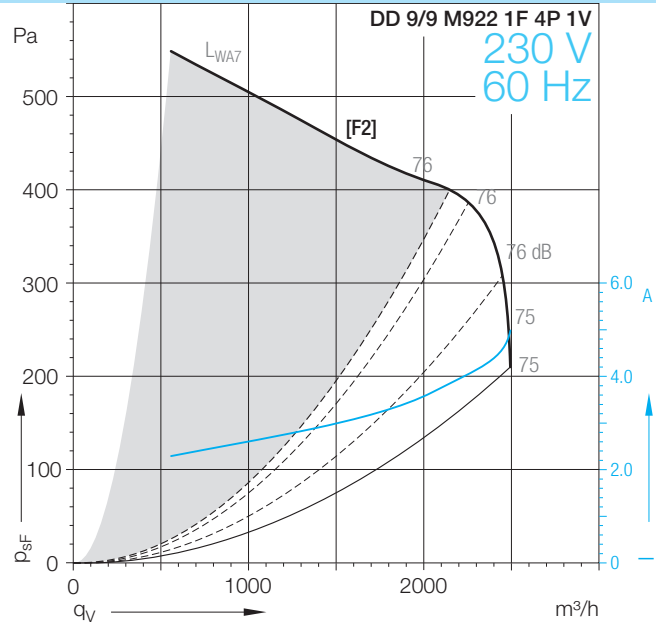
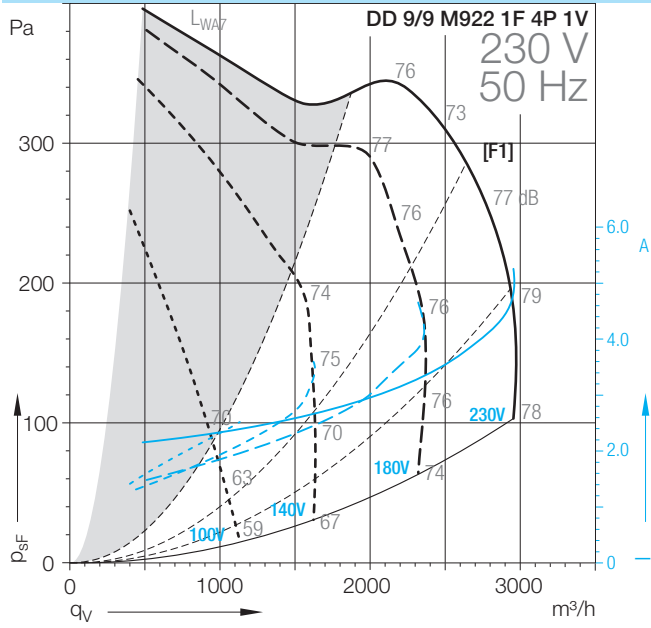


# DD-9/9



## Technical Data



# DD-9/9



## Technical Data

	Speed control	Curves	Nominal motor power <b>W</b>	Poles -	Phases 1~	Connection	Mains frequency <b>Hz</b>	Max. power consumption <b>W</b>	Max. current consumption <b>A</b>	Speed <b>1/min</b>
DD 9/9										
M922 1F 4P 1V	(2)	[F1/F2]	373	4	1~		50/60	1165	5.1	1380
M946 1F 4P 1V	(2)	[F3/F4]	300	4	1~		50/60	877	3.5	1300
M942 1F 4P 3V	*	[F5/F6]	420	4	1~		50/60	962	3.8	1200

## Technical Data

	Operating Capacitor <b>µF</b>	Nominal capacitor voltage <b>V</b>	Motor protection class IP20	Motor thermal class F	Thermal protection INT	Media Temperature max. <b>°C</b>	Fan weight <b>kg</b>	Density of media <b>kg/m³</b>	Installation type (ISO 5801) B	Article number
DD 9/9										
M922 1F 4P 1V	10	450	IP20	F	INT	40	13	1.2	B	6M0642
M946 1F 4P 1V	10	500	IP20	B	EXT	40	12	1.2	B	6M0661
M942 1F 4P 3V	12.5	450	IP20	B	EXT	40	14	1.2	B	6M0669

(1) = Speed controllable via Transformer

(2) = Speed controllable via TRIAC or Transformer

(3) = Speed controllable via Inverter

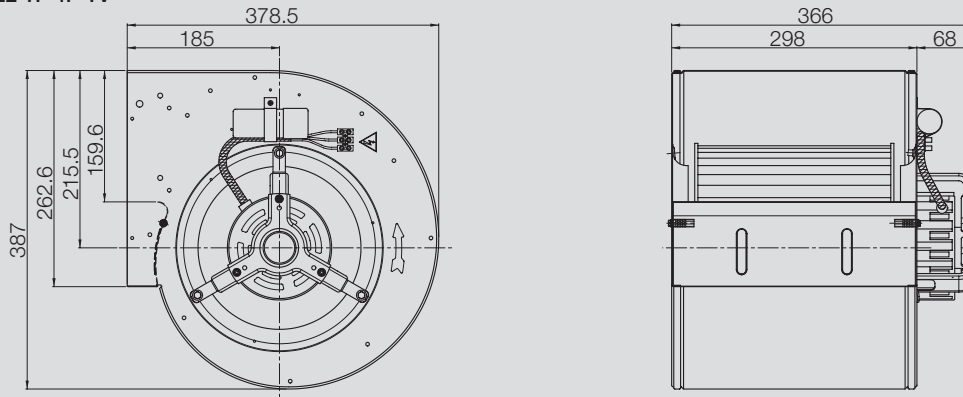
\* = No speed control available

[HI] High speed, [ME] Medium speed, [LO] Low speed

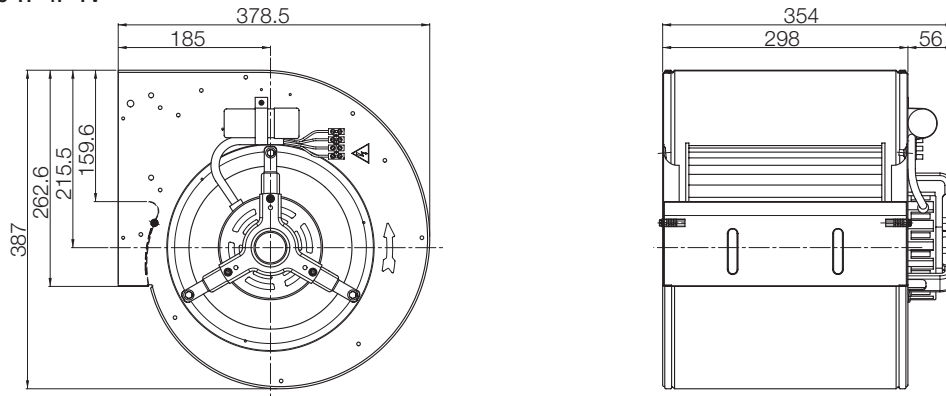
**Attention!** We suggest to do not use the fan in the grey marked area! The noise ratings given in the performance curves are sound power level  $L_{WA7}$ , see „Technical Description“.

## Dimensions in mm, subject to change.

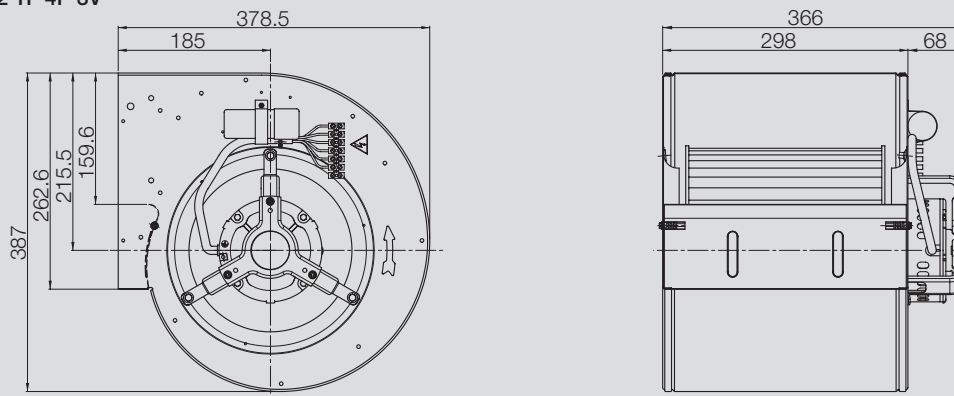
DD 9/9 M922 1F 4P 1V



DD 9/9 M946 1F 4P 1V



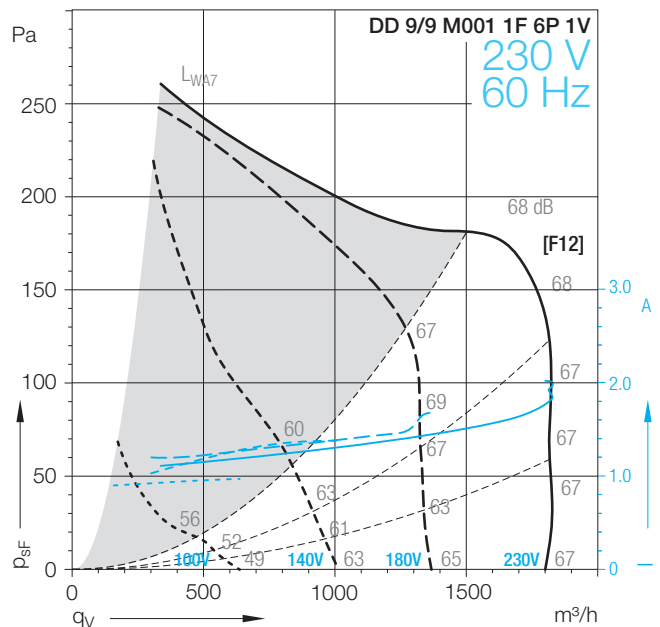
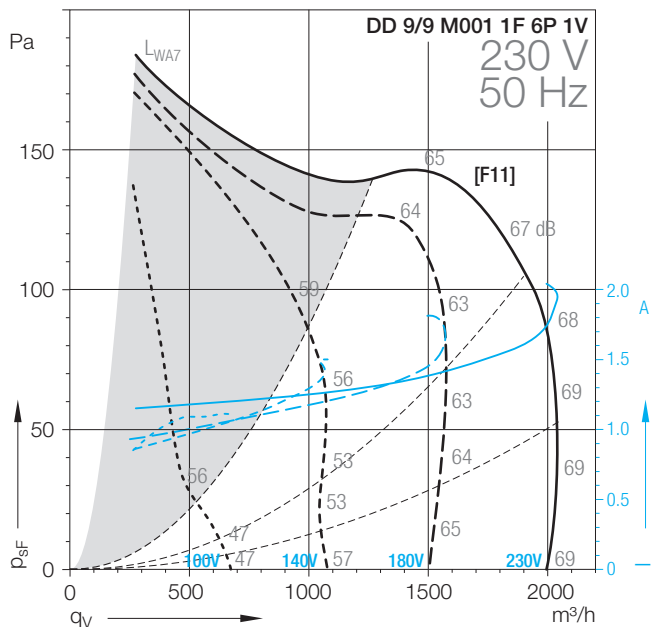
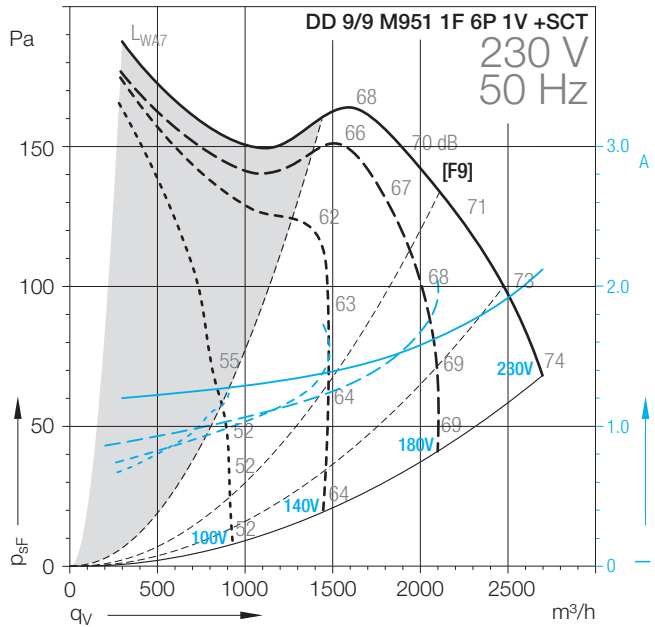
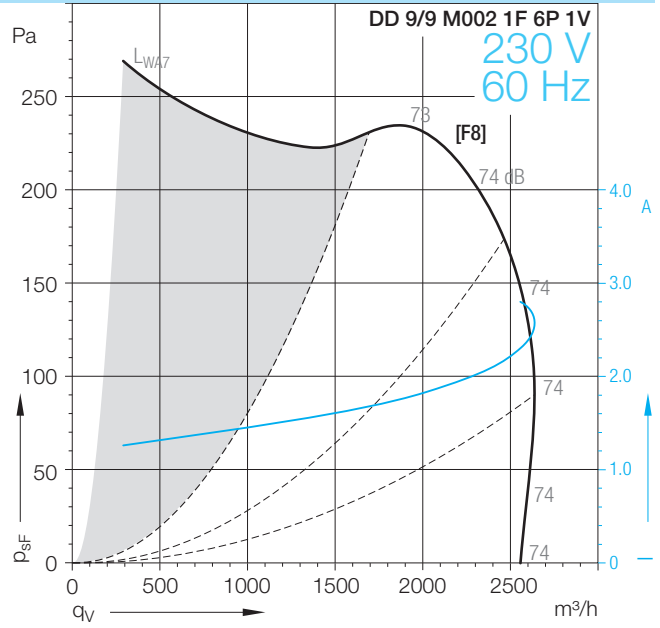
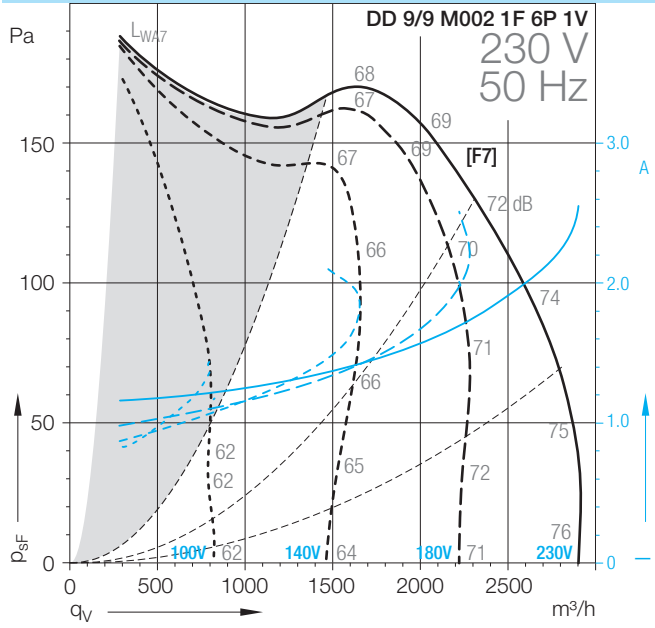
DD 9/9 M942 1F 4P 3V



# DD-9/9



## Technical Data



# DD-9/9

Technical Data										
	Speed control	Curves	Nominal motor power	Poles	Phases	Connection	Mains frequency	Max. power consumption	Max. current consumption	Speed
DD 9/9			<b>W</b>	-			<b>Hz</b>	<b>W</b>	<b>A</b>	<b>1/min</b>
M002 1F 6P 1V	(1)	[F7/F8]	245	6	1~		50/60	549	2.6	850
M951 1F 6P 1V +SCT	(1)	[F9]	245	6	1~		50	483	2.1	850
M001 1F 6P 1V	(1)	[F11/F12]	147	6	1~		50/60	438	2	825

Technical Data										
	Operating Capacitor	Nominal capacitor voltage	Motor protection class	Motor thermal class	Thermal protection	Media Temperature max.	Fan weight	Density of media	Installation type (ISO 5801)	Article number
DD 9/9	<b>µF</b>	<b>V</b>				<b>°C</b>	<b>kg</b>	<b>kg/m³</b>		
M002 1F 6P 1V	8	500	IP20	F	INT	70	13	1.2	B	6M0698
M951 1F 6P 1V +SCT	8	450	IP32	B	INT	40	11	1.2	B	6M06G0
M001 1F 6P 1V	5	500	IP20	F	EXT	40	11	1.2	B	6M0308

(1) = Speed controllable via Transformer

(2) = Speed controllable via TRIAC or Transformer

(3) = Speed controllable via Inverter

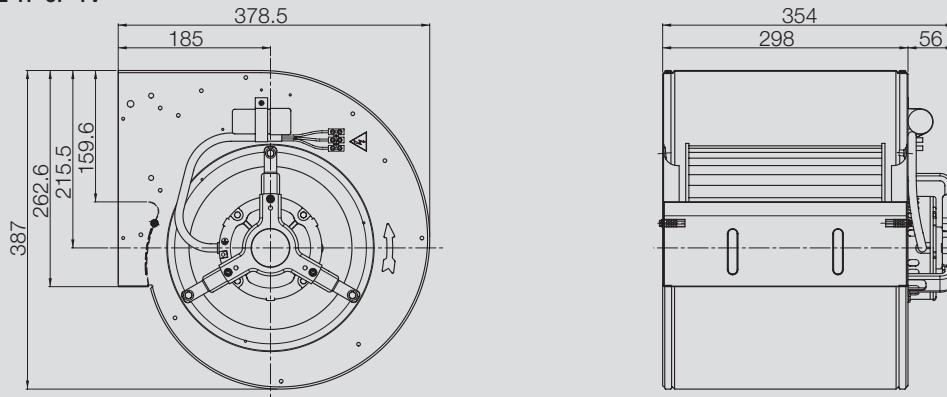
\* = No speed control available

[HI] High speed, [ME] Medium speed, [LO] Low speed

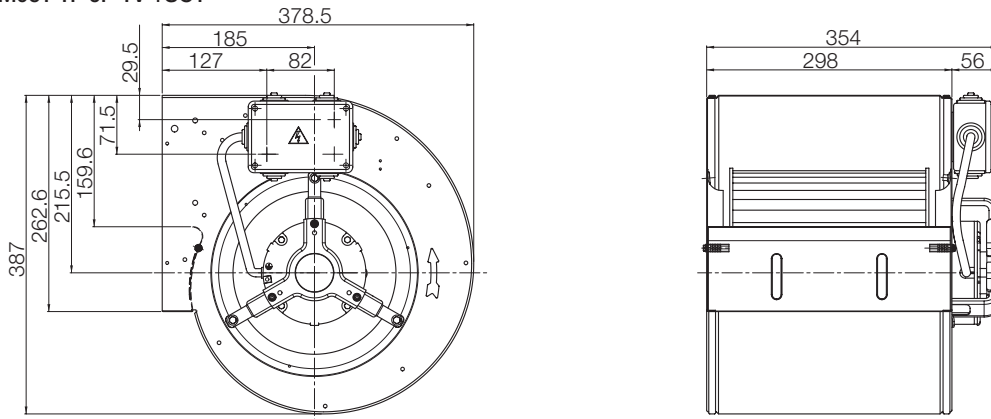
**Attention!** We suggest to do not use the fan in the grey marked area! The noise ratings given in the performance curves are sound power level  $L_{WA7}$ , see „Technical Description“.

### Dimensions in mm, subject to change.

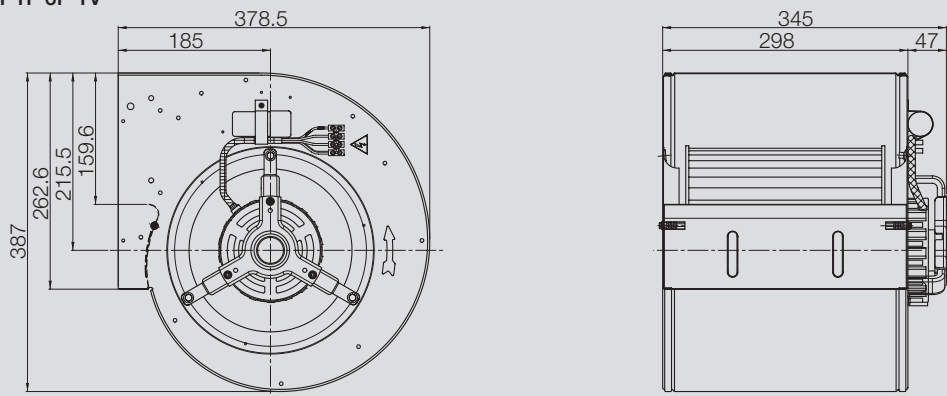
#### DD 9/9 M002 1F 6P 1V



#### DD 9/9 M951 1F 6P 1V +SCT



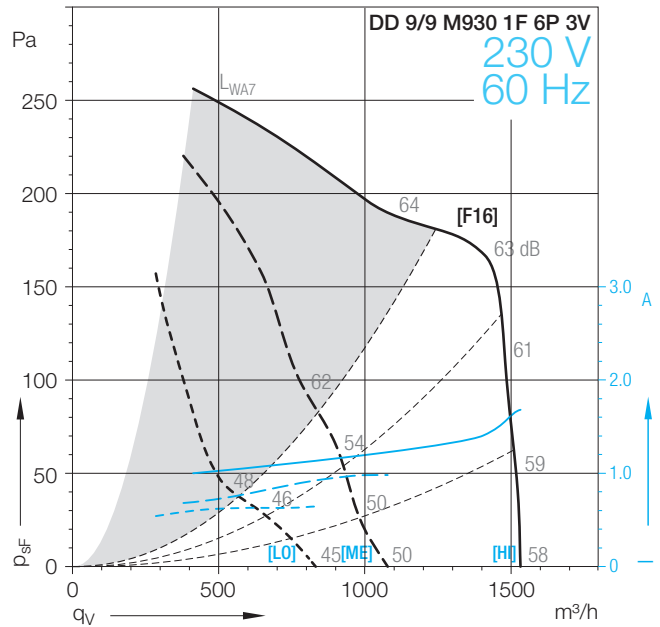
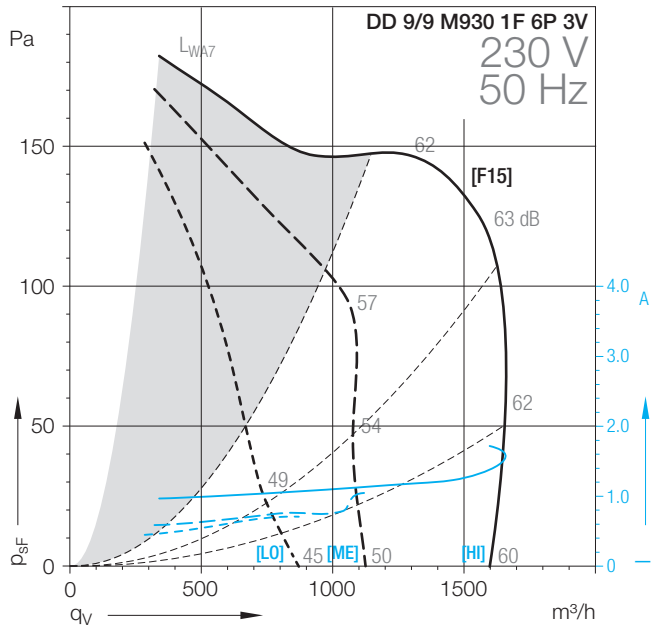
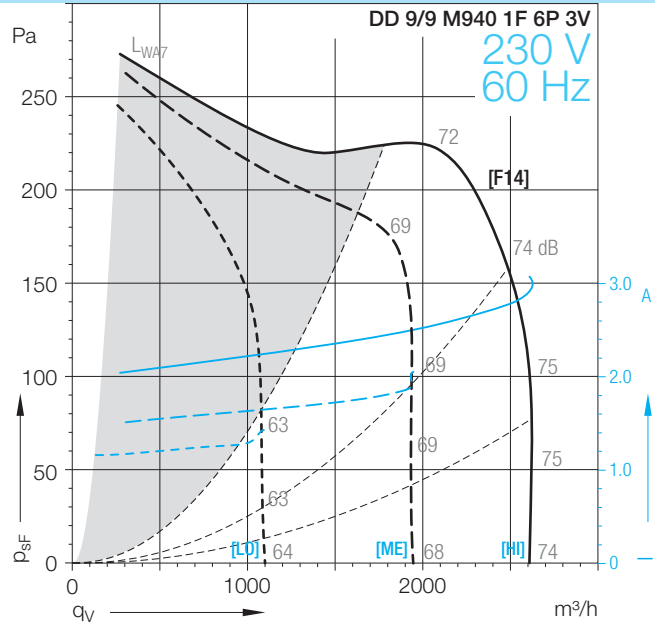
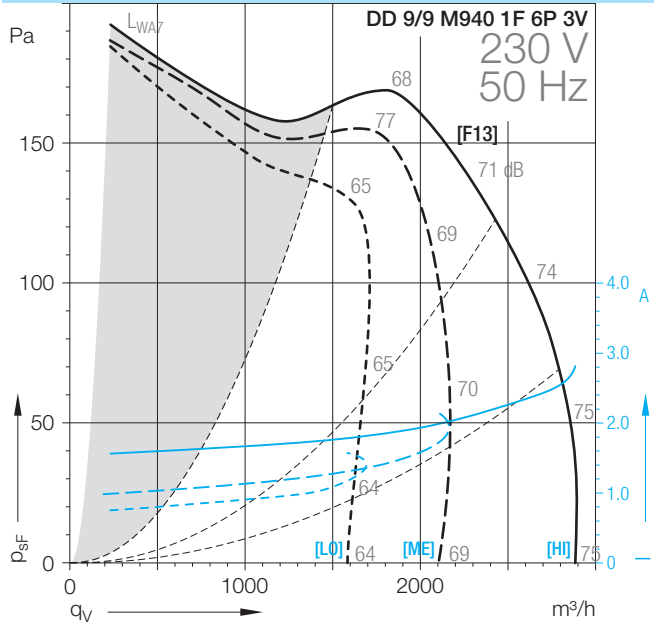
#### DD 9/9 M001 1F 6P 1V



# DD-9/9



## Technical Data



# DD-9/9



Technical Data										
DD 9/9	Speed control	Curves	Nominal motor power	Poles	Phases	Connection	Mains frequency	Max. power consumption	Max. current consumption	Speed
			<b>W</b>	-			<b>Hz</b>	<b>W</b>	<b>A</b>	<b>1/min</b>
M940 1F 6P 3V	*	[F13/F14]	245	6	1~		50/60	605	2.5	880
M930 1F 6P 3V	*	[F15/F16]	147	6	1~		50/60	385	1.7	900

Technical Data										
DD 9/9	Operating Capacitor	Nominal capacitor voltage	Motor protection class	Motor thermal class	Thermal protection	Media Temperature max.	Fan weight	Density of media	Installation type (ISO 5801)	Article number
	<b>µF</b>	<b>V</b>				<b>°C</b>	<b>kg</b>	<b>kg/m³</b>		
M940 1F 6P 3V	8	500	IP20	F	INT	50	13	1.2	B	6M0662
M930 1F 6P 3V	5	450	IP20	B	INT	40	11	1.2	B	6M0664

(1) = Speed controllable via Transformer

(2) = Speed controllable via TRIAC or Transformer

(3) = Speed controllable via Inverter

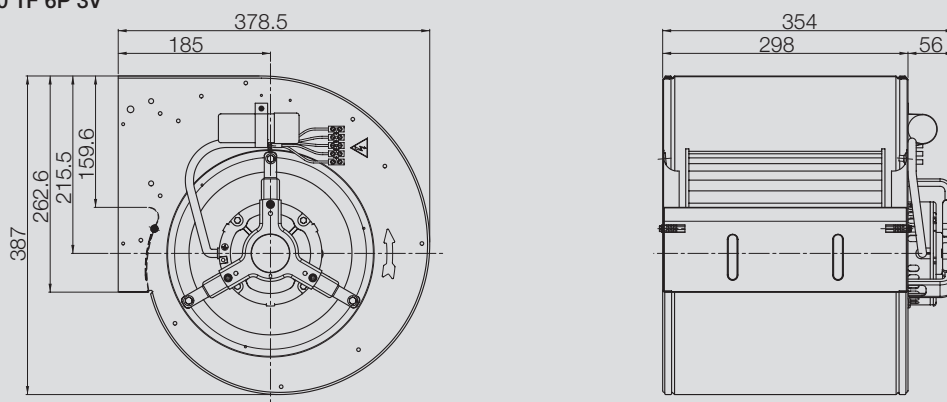
\* = No speed control available

[HI] High speed, [ME] Medium speed, [LO] Low speed

**Attention!** We suggest to do not use the fan in the grey marked area! The noise ratings given in the performance curves are sound power level  $L_{WA7}$ , see „Technical Description“.

### Dimensions in mm, subject to change.

#### DD 9/9 M940 1F 6P 3V



#### DD 9/9 M930 1F 6P 3V

