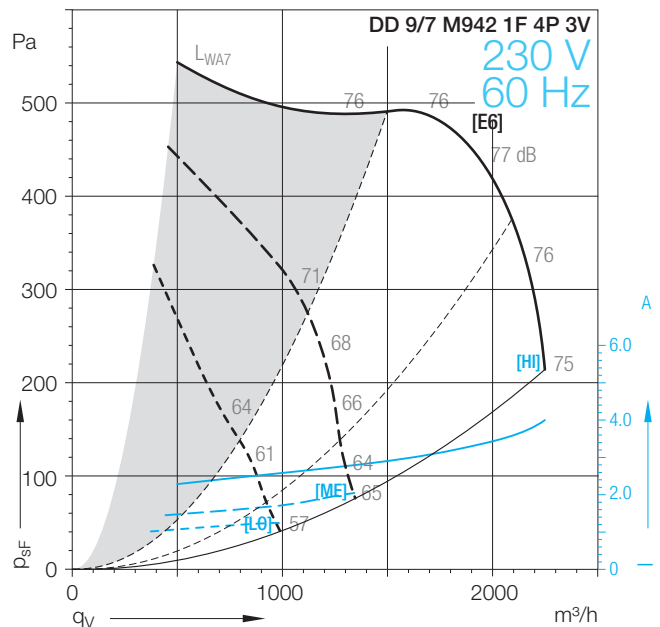
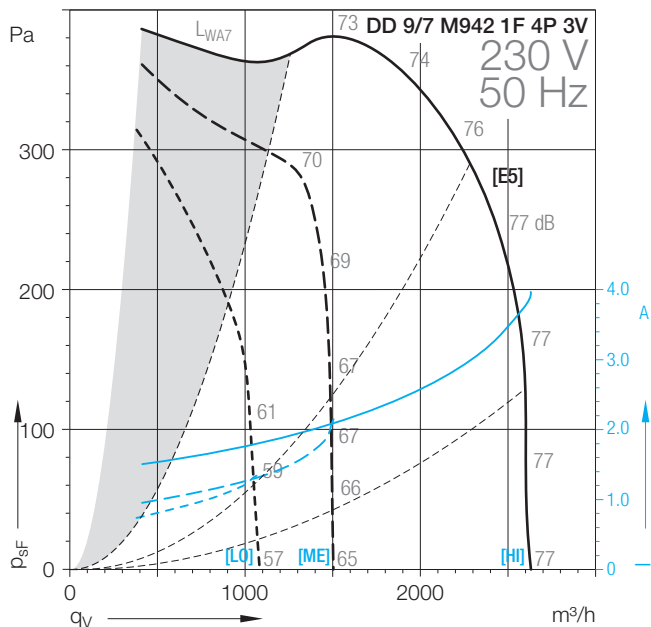
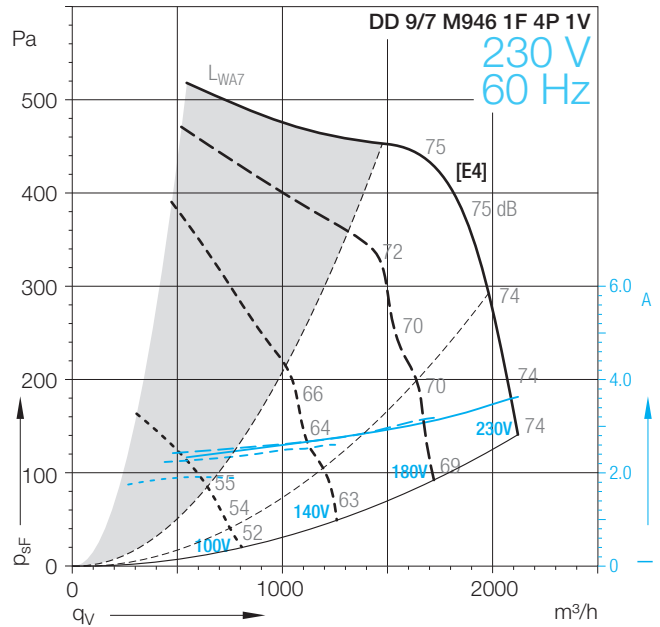
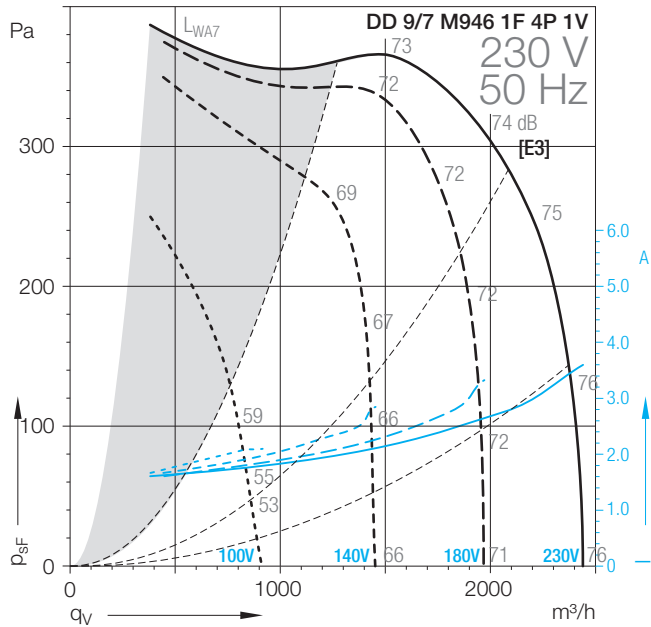
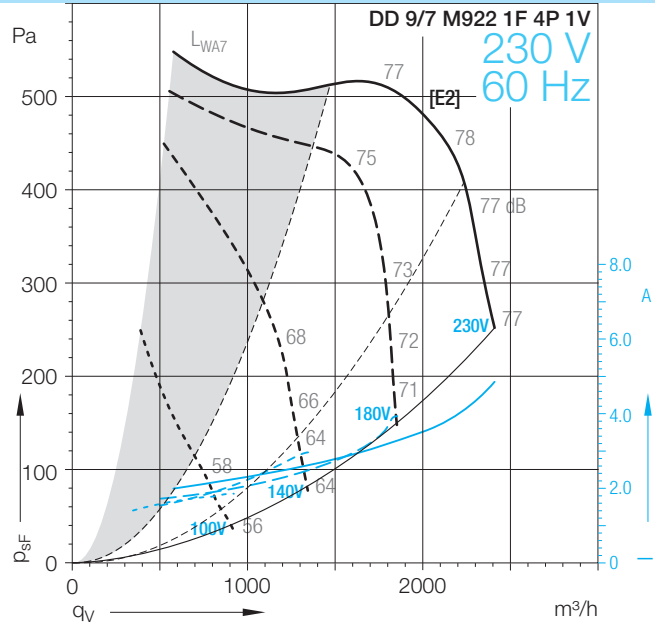
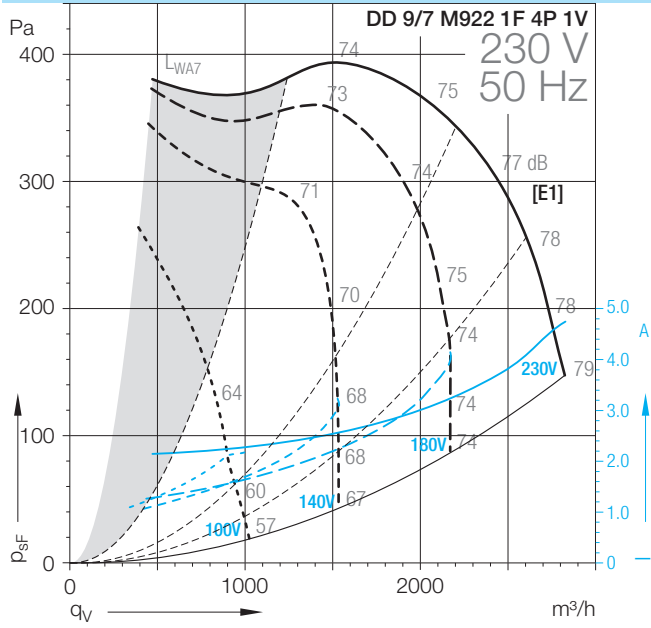


DD-9/7



Technical Data



DD-9/7



Technical Data										
	Speed control	Curves	Nominal motor power	Poles	Phases	Connection	Mains frequency	Max. power consumption	Max. current consumption	Speed
DD 9/7			W	-			Hz	W	A	1/min
M922 1F 4P 1V	(2)	[E1/E2]	373	4	1~		50/60	1047	5	1380
M946 1F 4P 1V	(2)	[E3/E4]	300	4	1~		50/60	811	3.5	1300
M942 1F 4P 3V	*	[E5/E6]	420	4	1~		50/60	902	3.9	1200

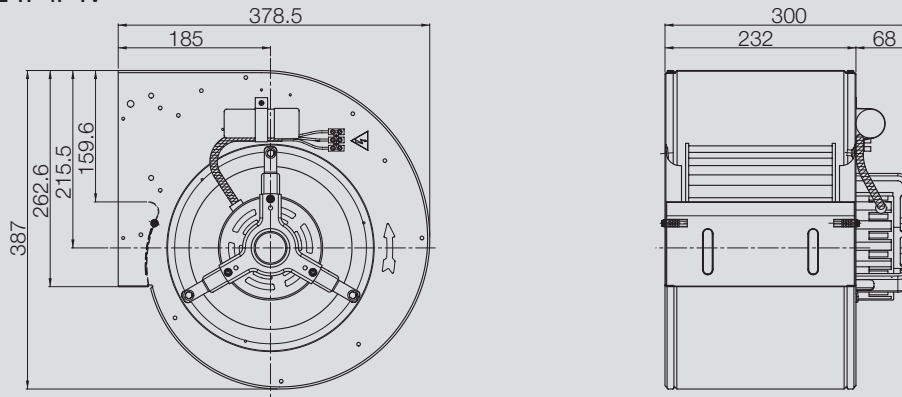
Technical Data										
	Operating Capacitor	Nominal capacitor voltage	Motor protection class	Motor thermal class	Thermal protection	Media Temperature max.	Fan weight	Density of media	Installation type (ISO 5801)	Article number
DD 9/7	µF	V				°C	kg	kg/m³		
M922 1F 4P 1V	10	450	IP20	B	INT	40	10	1.2	B	6M06E4
M946 1F 4P 1V	10	500	IP20	B	EXT	40	10	1.2	B	6M0671
M942 1F 4P 3V	12.5	450	IP20	B	EXT	40	10	1.2	B	6M0695

- (1) = Speed controllable via Transformer
- (2) = Speed controllable via TRIAC or Transformer
- (3) = Speed controllable via Inverter
- * = No speed control available

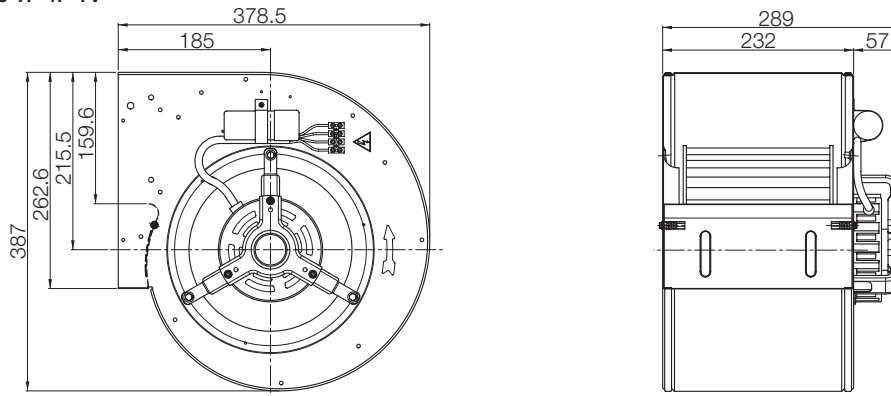
[HI] High speed, [ME] Medium speed, [LO] Low speed
Attention! We suggest to do not use the fan in the grey marked area! The noise ratings given in the performance curves are sound power level L_{WA7} , see „Technical Description“.

Dimensions in mm, subject to change.

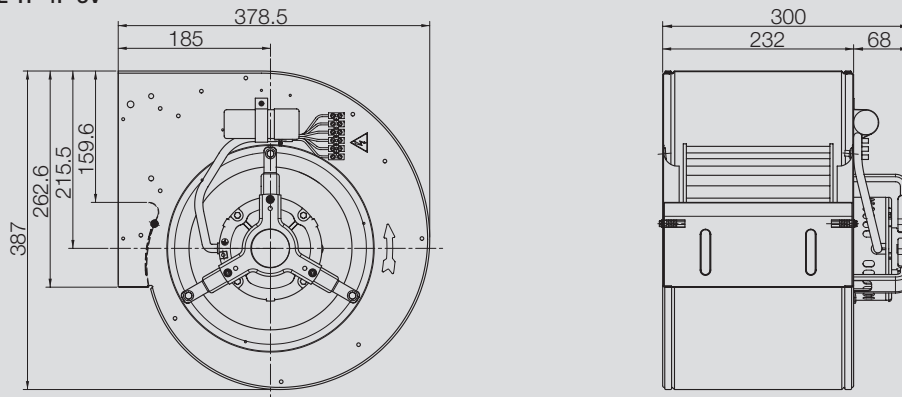
DD 9/7 M922 1F 4P 1V



DD 9/7 M946 1F 4P 1V



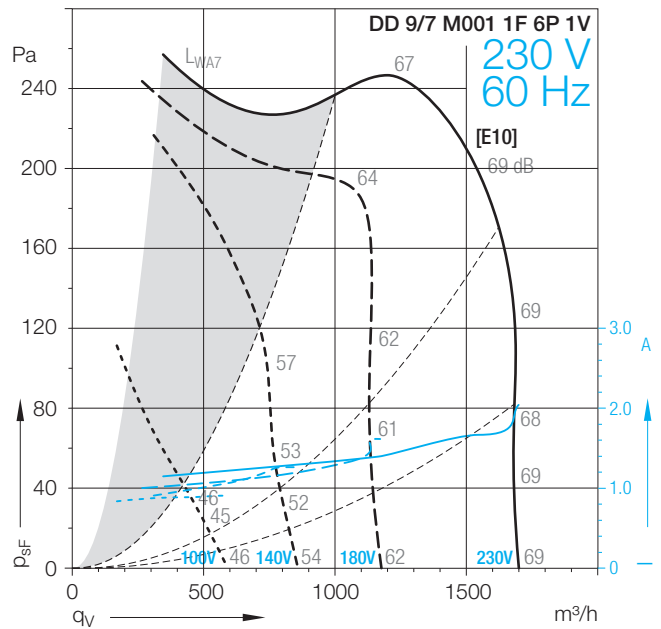
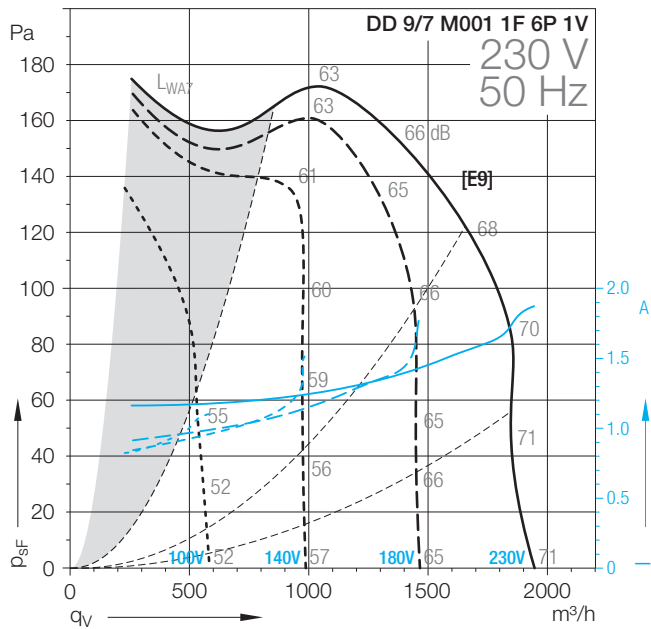
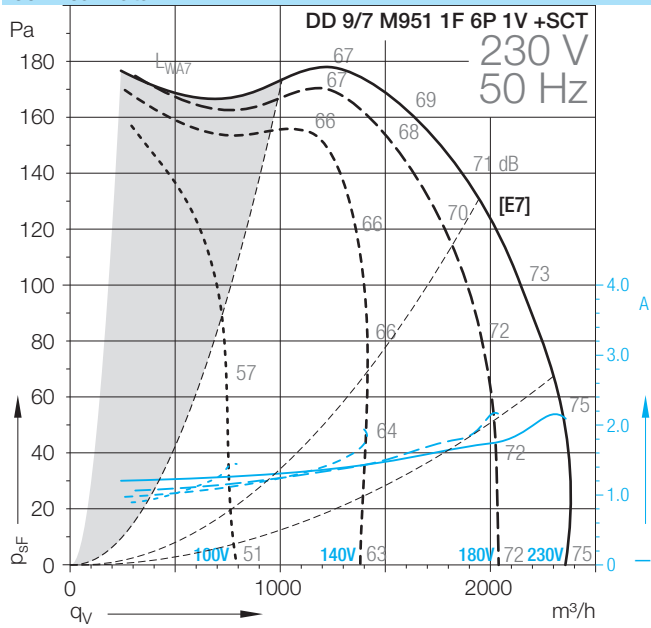
DD 9/7 M942 1F 4P 3V



DD-9/7



Technical Data



DD-9/7



Technical Data										
	Speed control	Curves	Nominal motor power	Poles	Phases	Connection	Mains frequency	Max. power consumption	Max. current consumption	Speed
			W	-			Hz	W	A	1/min
DD 9/7										
M951 1F 6P 1V +SCT	(1)	[E7]	245	6	1~		50	454	2.1	850
M001 1F 6P 1V	(1)	[E9/E10]	147	6	1~		50/60	406	1.8	825

Technical Data										
	Operating Capacitor	Nominal capacitor voltage	Motor protection class	Motor thermal class	Thermal protection	Media Temperature max.	Fan weight	Density of media	Installation type (ISO 5801)	Article number
	µF	V				°C	kg	kg/m³		
DD 9/7										
M951 1F 6P 1V +SCT	8	500	IP32	F	INT	40	12	1.2	B	6M09HF
M001 1F 6P 1V	5	500	IP20	F	EXT	40	10	1.2	B	6M0306

(1) = Speed controllable via Transformer

(2) = Speed controllable via TRIAC or Transformer

(3) = Speed controllable via Inverter

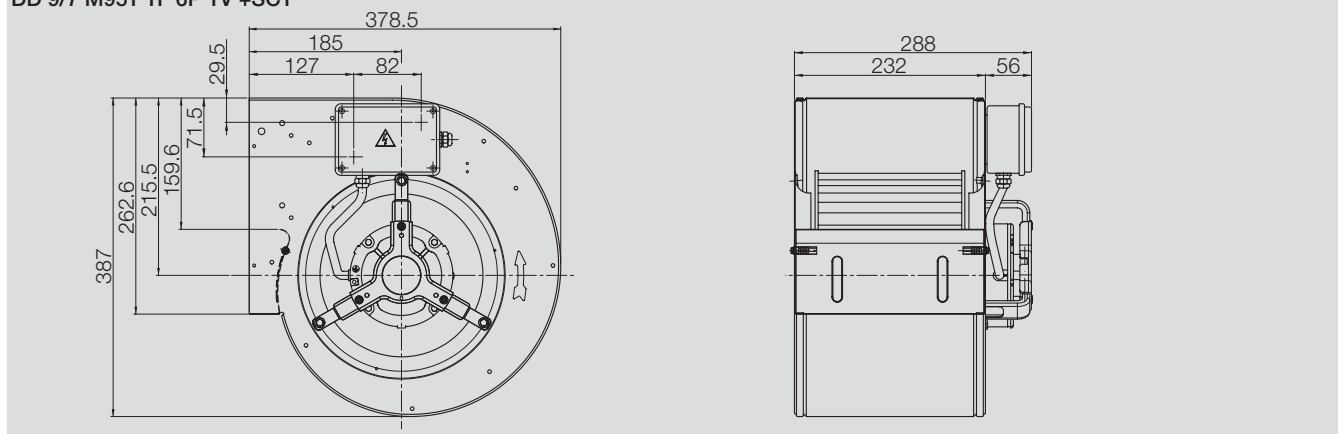
* = No speed control available

[HI] High speed, [ME] Medium speed, [LO] Low speed

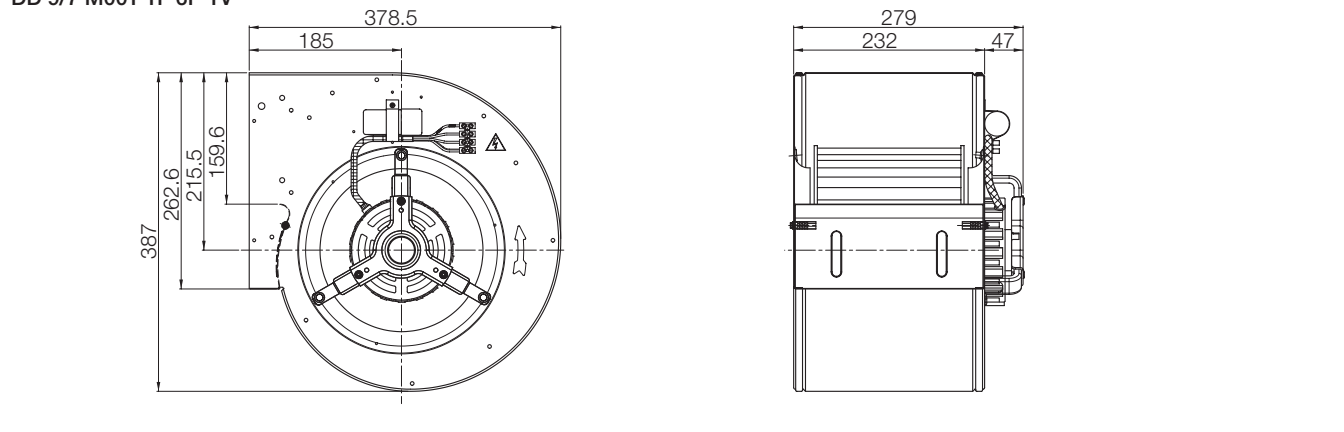
Attention! We suggest to do not use the fan in the grey marked area! The noise ratings given in the performance curves are sound power level L_{WA7} , see „Technical Description“.

Dimensions in mm, subject to change.

DD 9/7 M951 1F 6P 1V +SCT



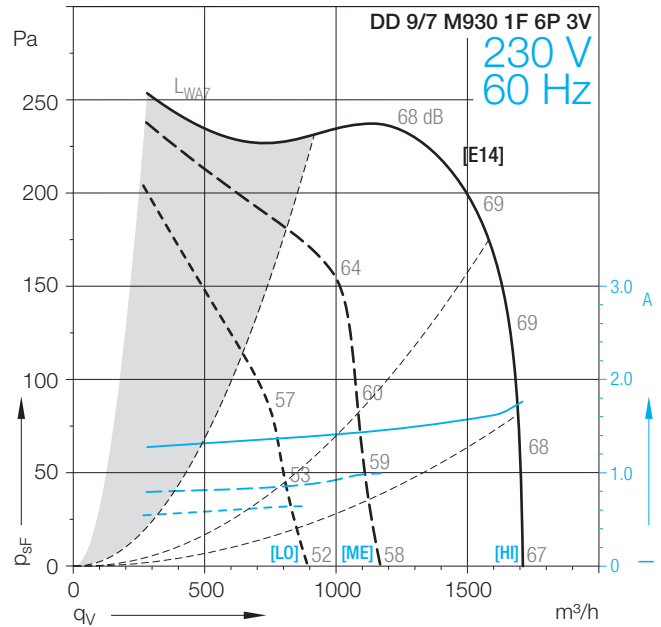
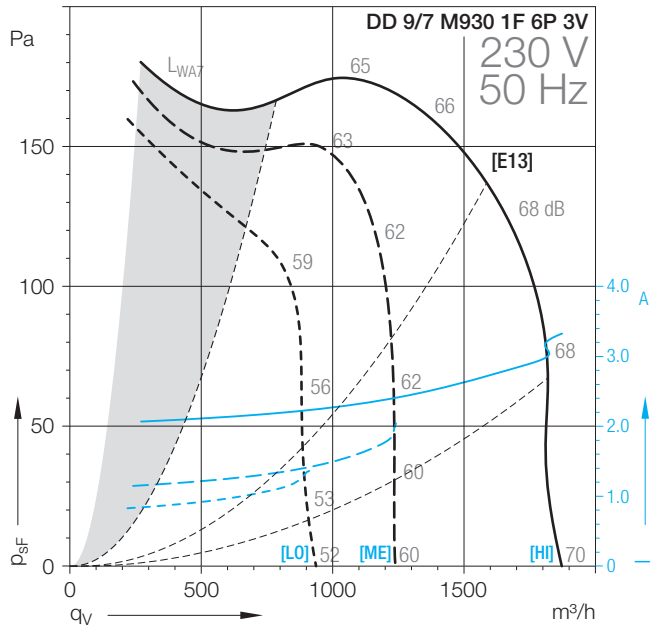
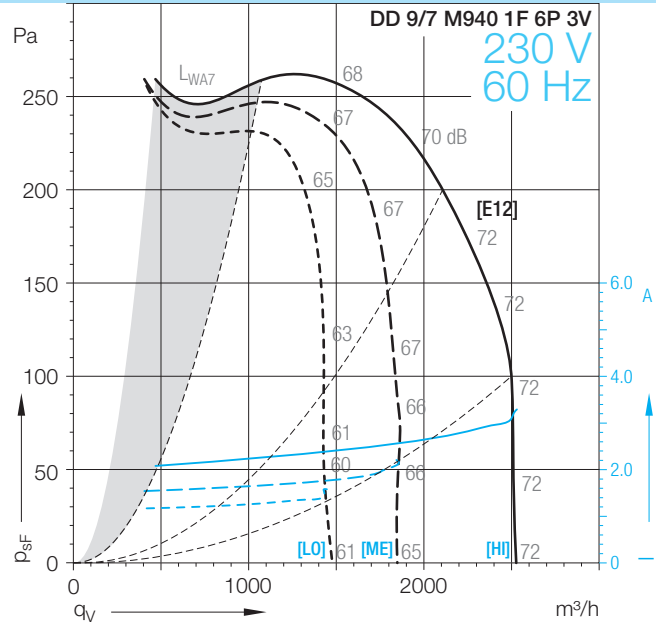
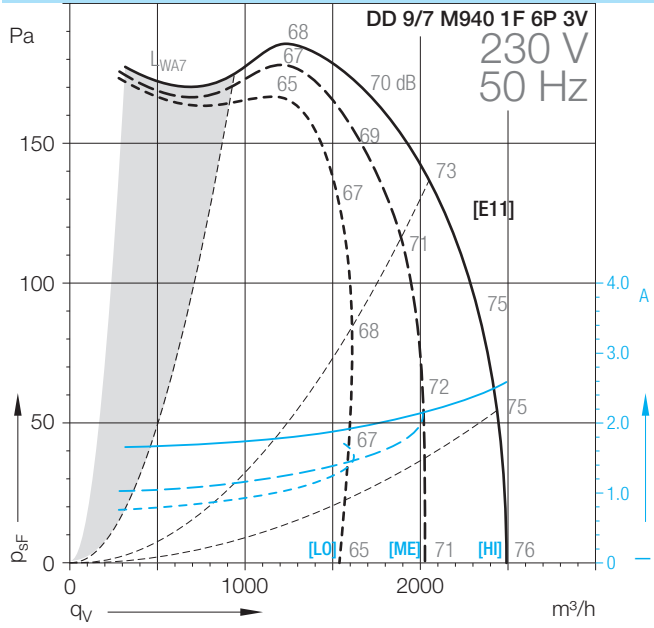
DD 9/7 M001 1F 6P 1V



DD-9/7



Technical Data



DD-9/7



Technical Data										
	Speed control	Curves	Nominal motor power	Poles	Phases	Connection	Mains frequency	Max. power consumption	Max. current consumption	Speed
			W	-			Hz	W	A	1/min
DD 9/7										
M940 1F 6P 3V	*	[E11/E12]	245	6	1~		50/60	563	2.6	880
M930 1F 6P 3V	*	[E13/E14]	147	6	1~		50/60	386	1.7	900

Technical Data										
	Operating Capacitor	Nominal capacitor voltage	Motor protection class	Motor thermal class	Thermal protection	Media Temperature max.	Fan weight	Density of media	Installation type (ISO 5801)	Article number
	µF	V				°C	kg	kg/m³		
DD 9/7										
M940 1F 6P 3V	8	500	IP20	F	INT	40	10	1.2	B	6M0667
M930 1F 6P 3V	6.3	500	IP20	B	INT	40	11	1.2	B	6M06A3

(1) = Speed controllable via Transformer

(2) = Speed controllable via TRIAC or Transformer

(3) = Speed controllable via Inverter

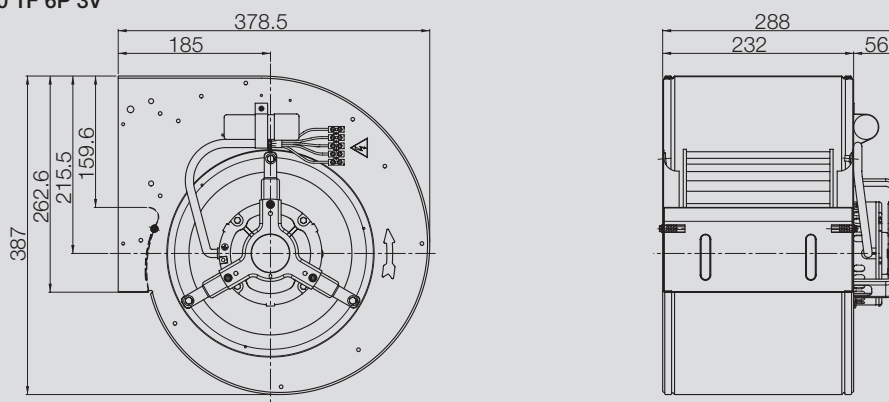
* = No speed control available

[HI] High speed, [ME] Medium speed, [LO] Low speed

Attention! We suggest to do not use the fan in the grey marked area! The noise ratings given in the performance curves are sound power level L_{WA7} , see „Technical Description“.

Dimensions in mm, subject to change.

DD 9/7 M940 1F 6P 3V



DD 9/7 M930 1F 6P 3V

