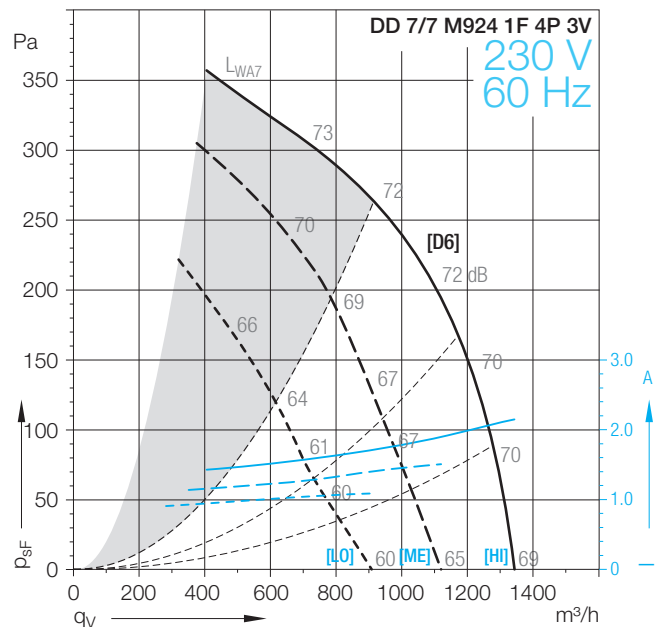
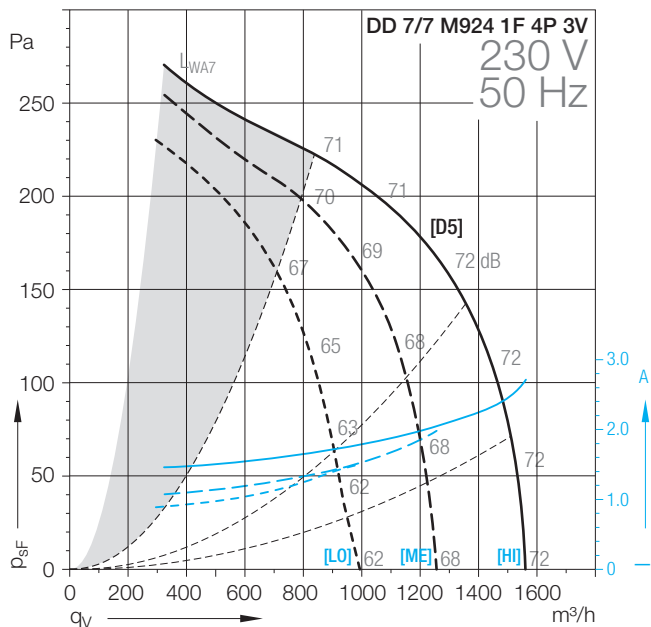
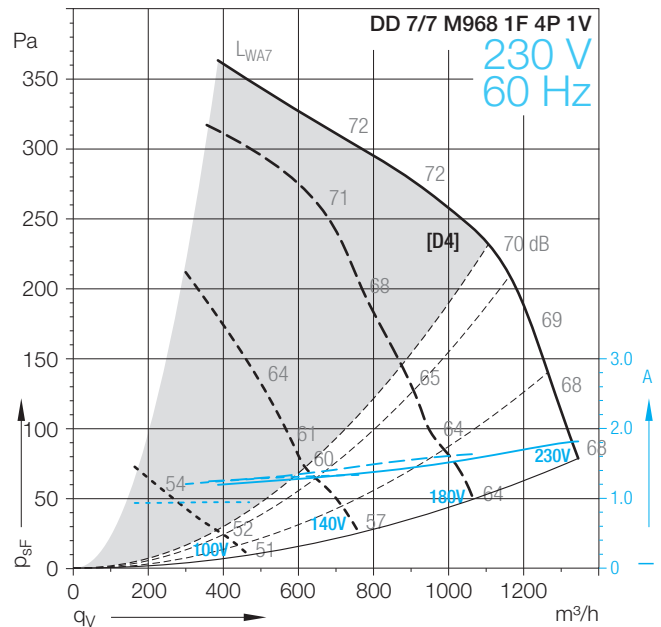
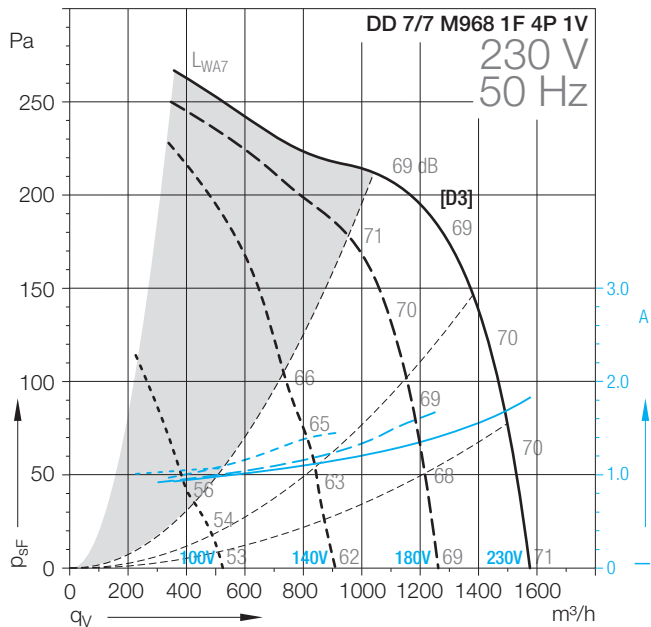
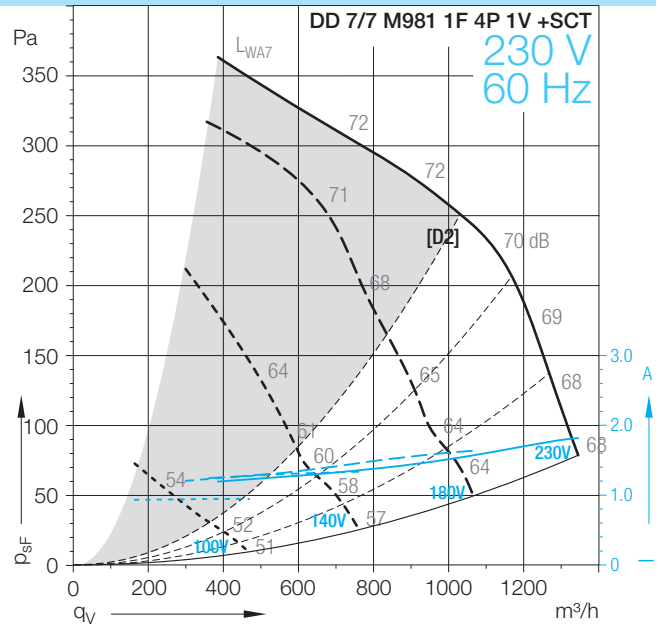
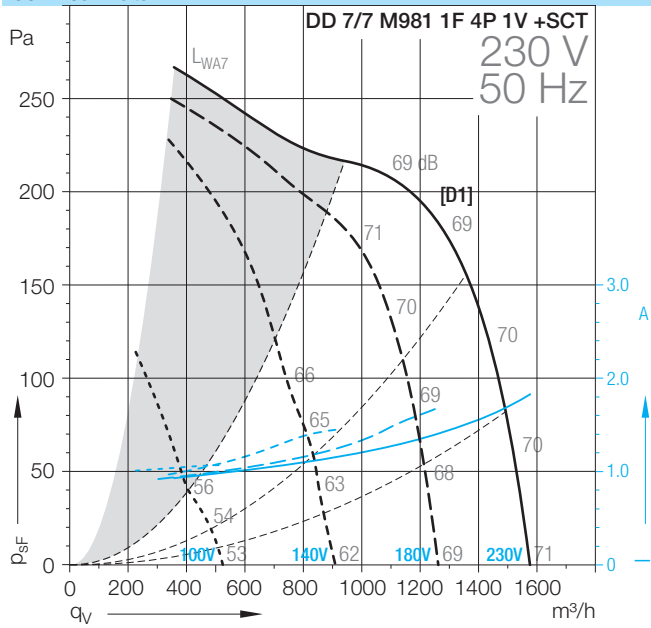


DD-7/7



Technical Data



DD-7/7



Technical Data

	Speed control	Curves	Nominal motor power W	Poles -	Phases 1~	Connection	Mains frequency Hz	Max. power consumption W	Max. current consumption A	Speed 1/min
DD 7/7										
M981 1F 4P 1V +SCT	(2)	[D1/D2]	147	4	1~		50/60	415	1.7	1290
M968 1F 4P 1V	(2)	[D3/D4]	147	4	1~		50/60	422	1.7	1300
M924 1F 4P 3V	*	[D5/D6]	147	4	1~		50/60	456	2	1250

Technical Data

	Operating Capacitor µF	Nominal capacitor voltage V	Motor protection class IP	Motor thermal class F	Thermal protection INT	Media Temperature max. °C	Fan weight kg	Density of media kg/m³	Installation type (ISO 5801) B	Article number
DD 7/7										
M981 1F 4P 1V +SCT	6.3	450	IP32	F	INT	40	9	1.2	B	6109HE
M968 1F 4P 1V	6.3	450	IP20	F	INT	40	6	1.2	B	6106E7
M924 1F 4P 3V	5	450	IP20	B	INT	50	7	1.2	B	6M0678

(1) = Speed controllable via Transformer

(2) = Speed controllable via TRIAC or Transformer

(3) = Speed controllable via Inverter

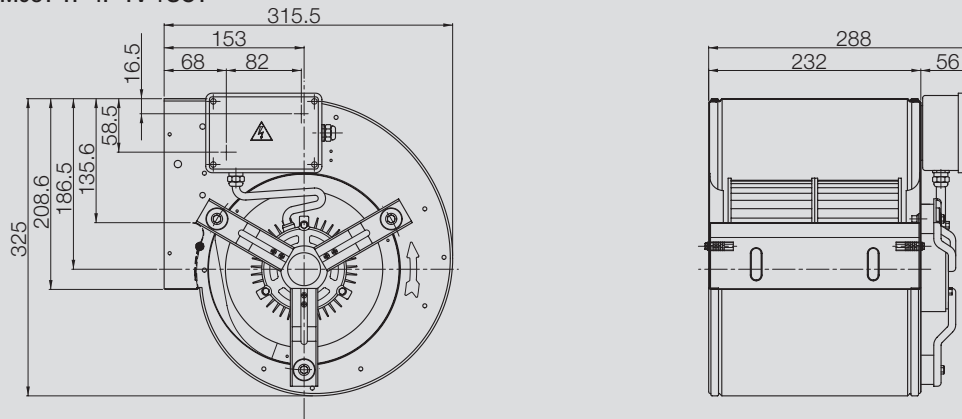
* = No speed control available

[HI] High speed, [ME] Medium speed, [LO] Low speed

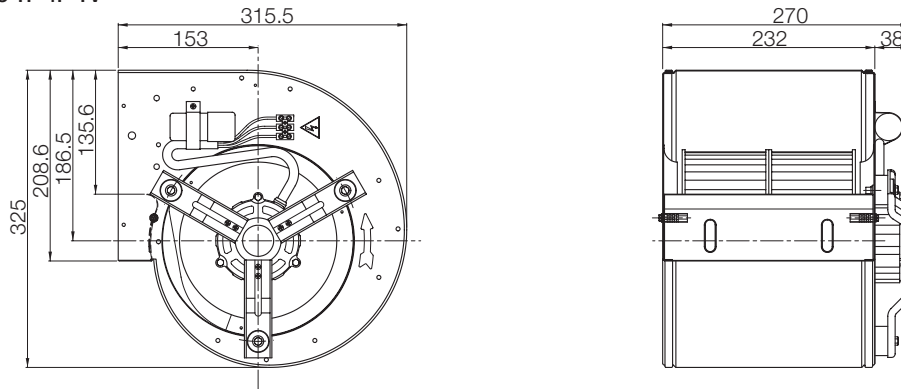
Attention! We suggest to do not use the fan in the grey marked area! The noise ratings given in the performance curves are sound power level L_{WA7} , see „Technical Description“.

Dimensions in mm, subject to change.

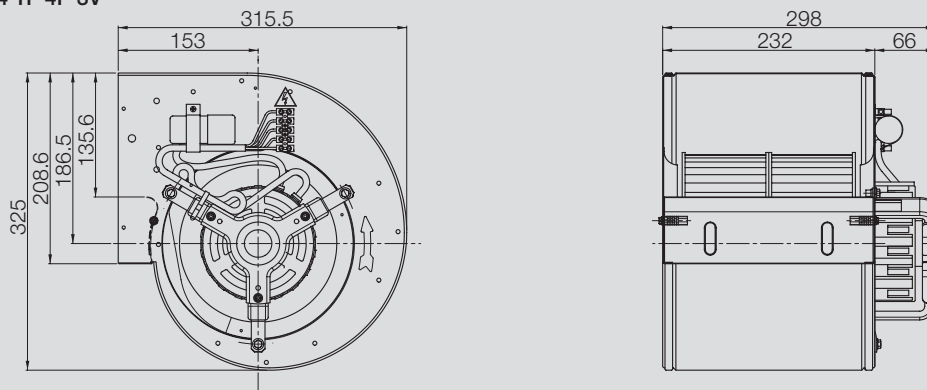
DD 7/7 M981 1F 4P 1V +SCT



DD 7/7 M968 1F 4P 1V



DD 7/7 M924 1F 4P 3V



DD-7/7



Technical Data										
	Speed control	Curves	Nominal motor power	Poles	Phases	Connection	Mains frequency	Max. power consumption	Max. current consumption	Speed
			W	-			Hz	W	A	1/min
DD 7/7										
M006 1F 6P 1V	(2)	[D7/D8]	62	6	1~		50/60	226	1	900
M039 1F 6P 1V +SCT	(2)	[D9/D10]	147	6	1~		50/60	282	1.3	860
M967 1F 6P 3V	*	[D11/D12]	147	6	1~		50/60	271	1.2	860

Technical Data										
	Operating Capacitor	Nominal capacitor voltage	Motor protection class	Motor thermal class	Thermal protection	Media Temperature max.	Fan weight	Density of media	Installation type (ISO 5801)	Article number
	µF	V				°C	kg	kg/m³		
DD 7/7										
M006 1F 6P 1V	4	450	IP20	B	INT	50	7	1.2	B	610303
M039 1F 6P 1V +SCT	5	500	IP44	B	INT	40	7	1.2	B	6109CG
M967 1F 6P 3V	5	500	IP32	B	INT	40	7	1.2	B	6106Z6

(1) = Speed controllable via Transformer

(2) = Speed controllable via TRIAC or Transformer

(3) = Speed controllable via Inverter

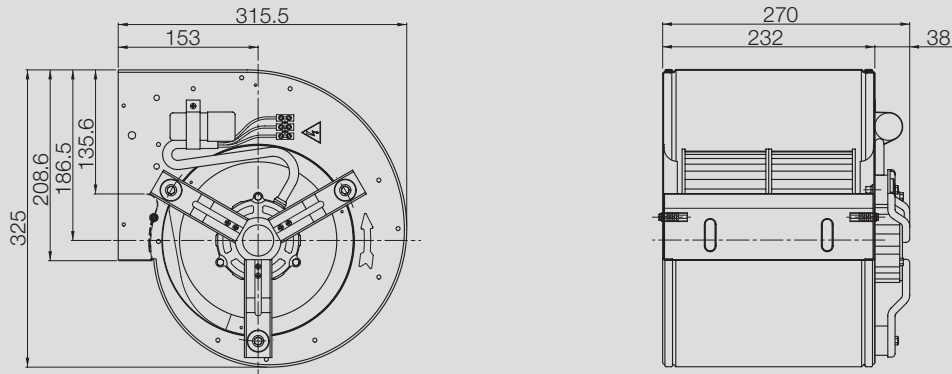
* = No speed control available

[HI] High speed, [ME] Medium speed, [LO] Low speed

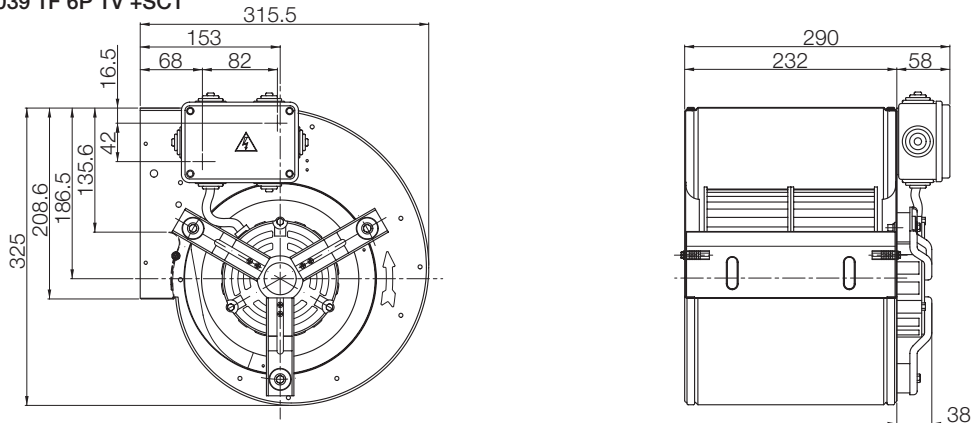
Attention! We suggest to do not use the fan in the grey marked area! The noise ratings given in the performance curves are sound power level L_{WA7} , see „Technical Description“.

Dimensions in mm, subject to change.

DD 7/7 M006 1F 6P 1V



DD 7/7 M039 1F 6P 1V +SCT



DD 7/7 M967 1F 6P 3V

