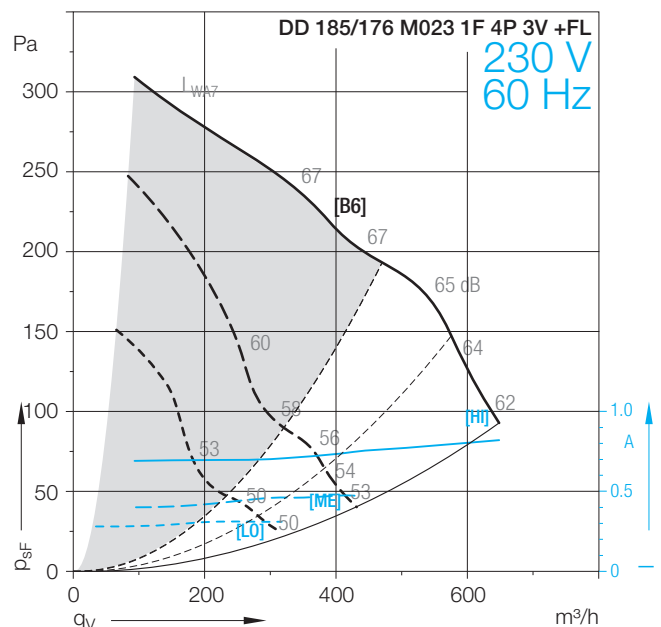
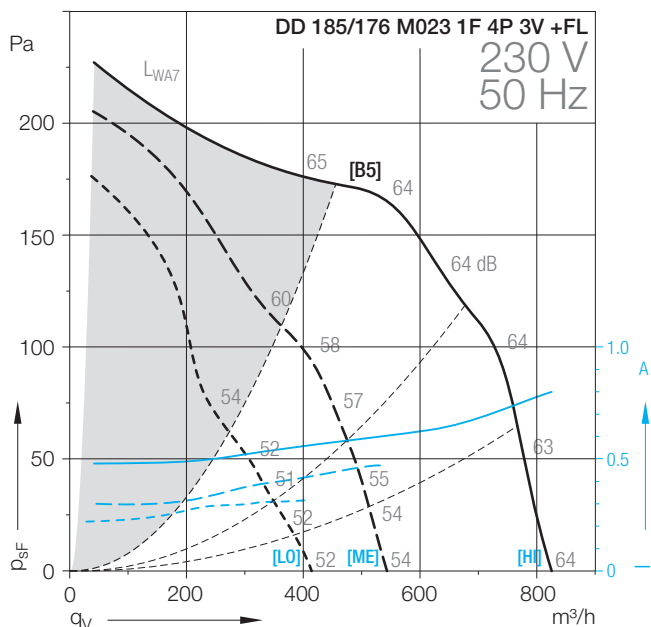
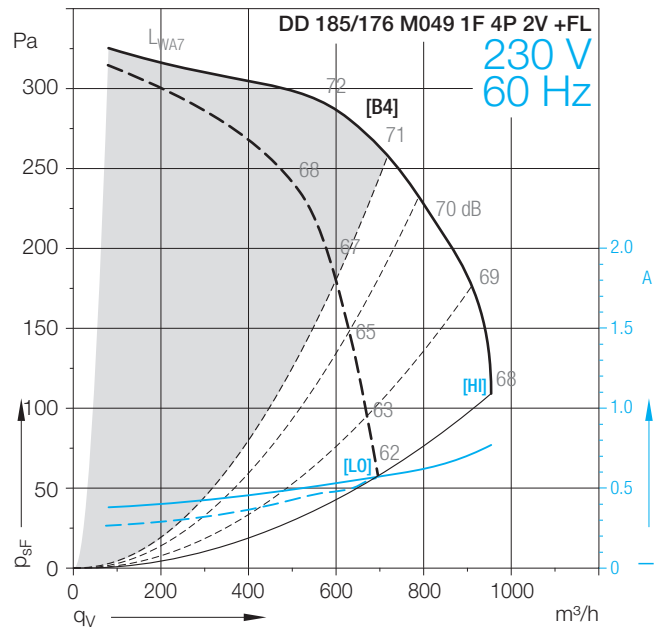
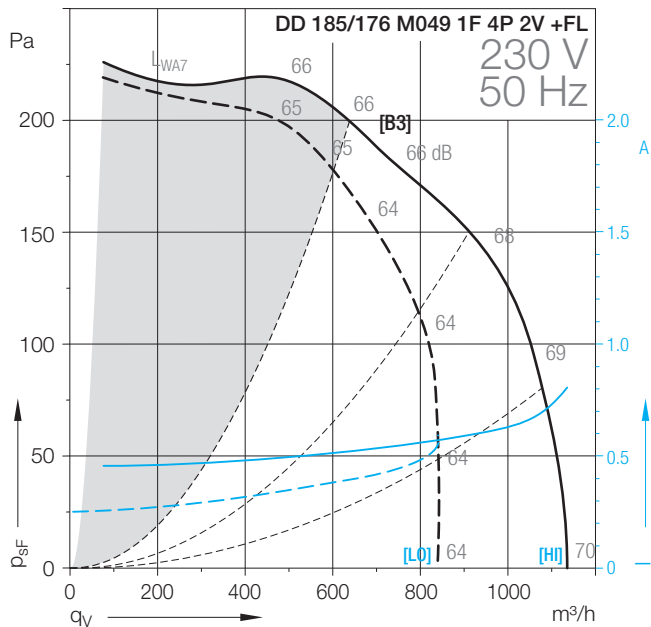
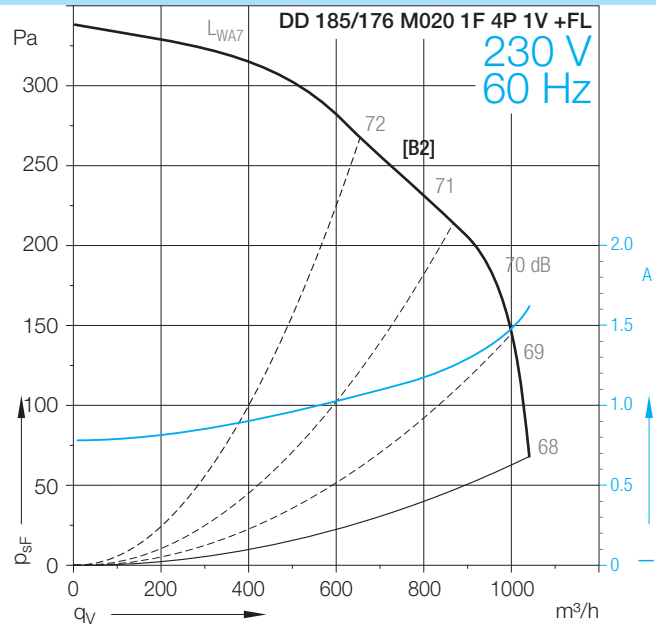
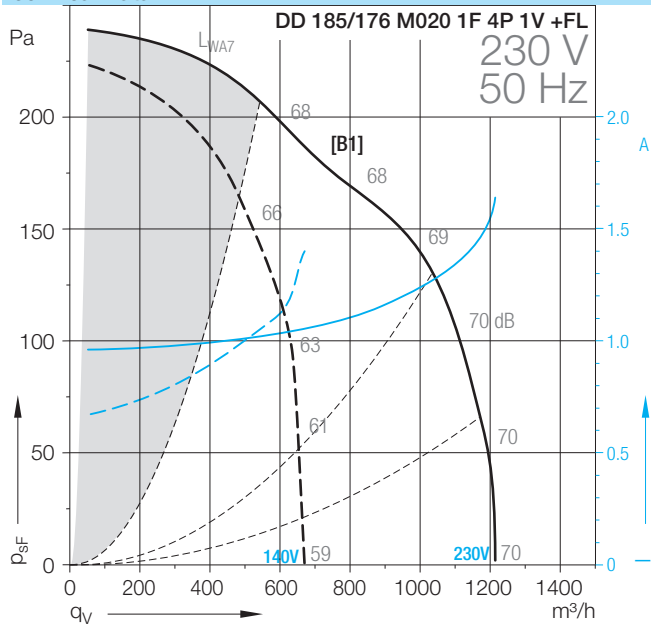


Technical Data



DD-185/176



Technical Data										
	Speed control	Curves	Nominal motor power	Poles	Phases	Connection	Mains frequency	Max. power consumption	Max. current consumption	Speed
			W	-			Hz	W	A	1/min
DD 185/176										
M020 1F 4P 1V +FL	(2)	[B1/B2]	92	4	1~		50/60	369	1.6	1280
M049 1F 4P 2V +FL	*	[B3/B4]	105	4	1~		50/60	355	1.5	1300
M023 1F 4P 3V +FL	*	[B5/B6]	45	4	1~		50/60	186	0.7	1370

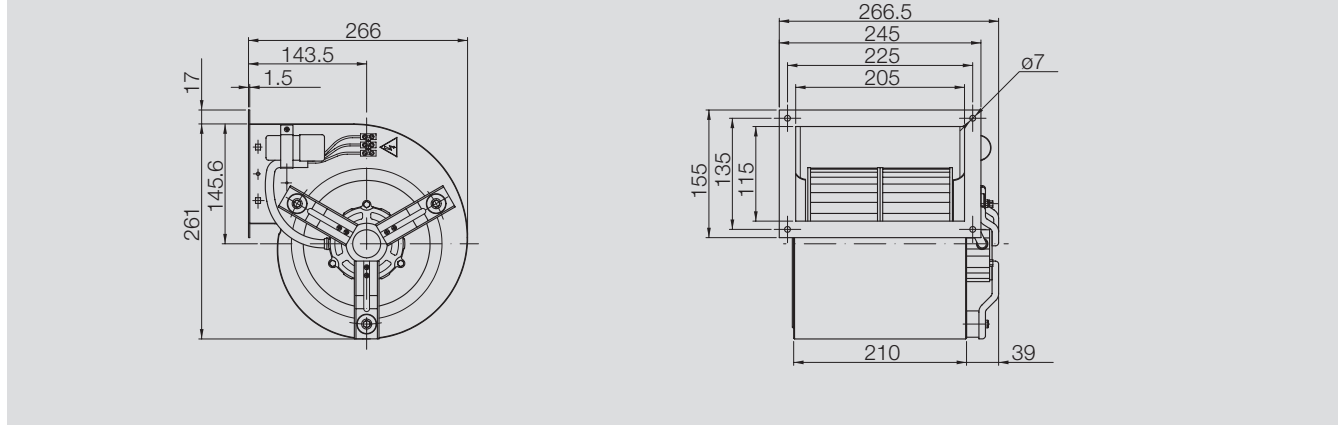
Technical Data										
	Operating Capacitor	Nominal capacitor voltage	Motor protection class	Motor thermal class	Thermal protection	Media Temperature max.	Fan weight	Density of media	Installation type (ISO 5801)	Article number
	µF	V				°C	kg	kg/m³		
DD 185/176										
M020 1F 4P 1V +FL	4	450	IP20	B	INT	60	5	1.2	B	6109Y8
M049 1F 4P 2V +FL	4	450	IP32	B	EXT	40	5	1.2	B	610974
M023 1F 4P 3V +FL	4	450	IP32	B	INT	50	6	1.2	B	610937

- (1) = Speed controllable via Transformer
- (2) = Speed controllable via TRIAC or Transformer
- (3) = Speed controllable via Inverter
- * = No speed control available

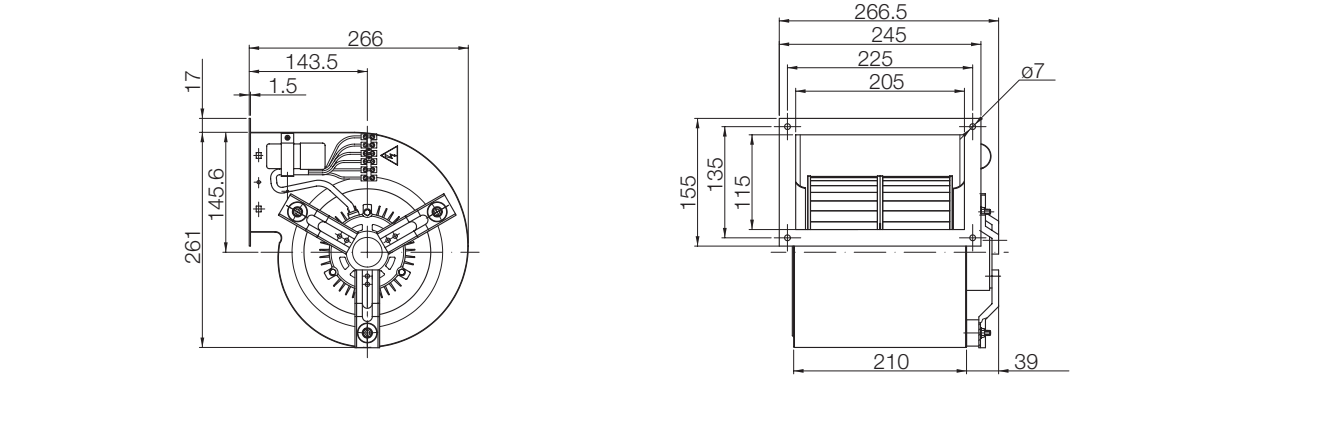
[HI] High speed, [ME] Medium speed, [LO] Low speed
Attention! We suggest to do not use the fan in the grey marked area! The noise ratings given in the performance curves are sound power level L_{WA7} , see „Technical Description“.

Dimensions in mm, subject to change.

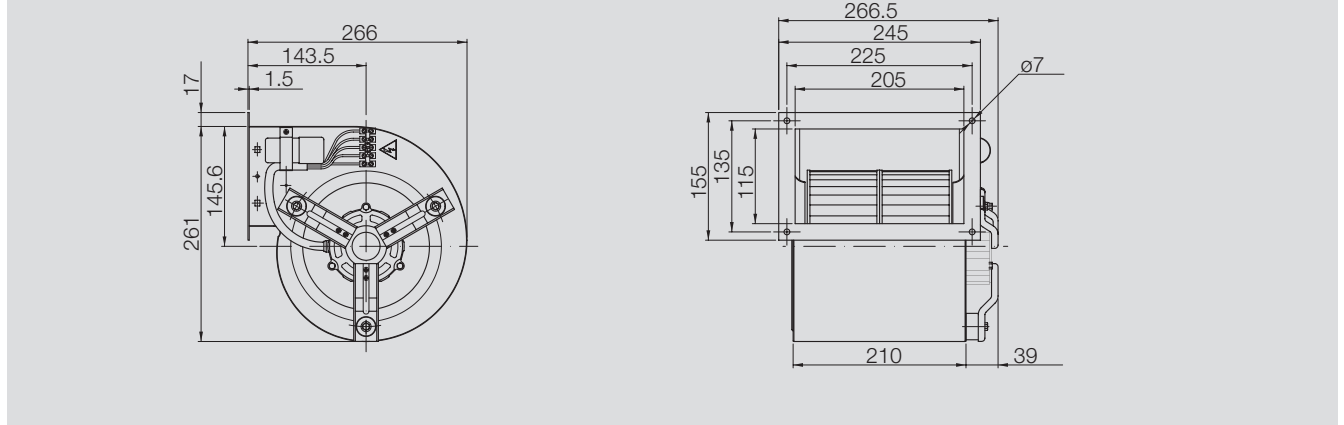
DD 185/176 M020 1F 4P 1V +FL



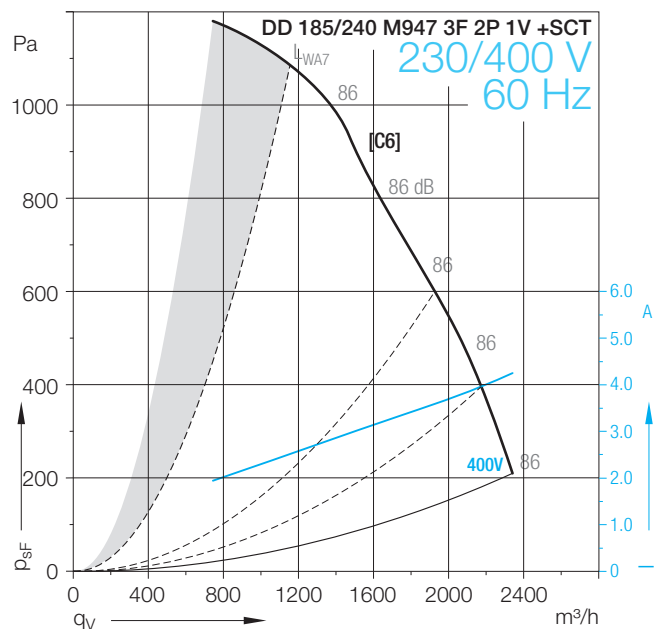
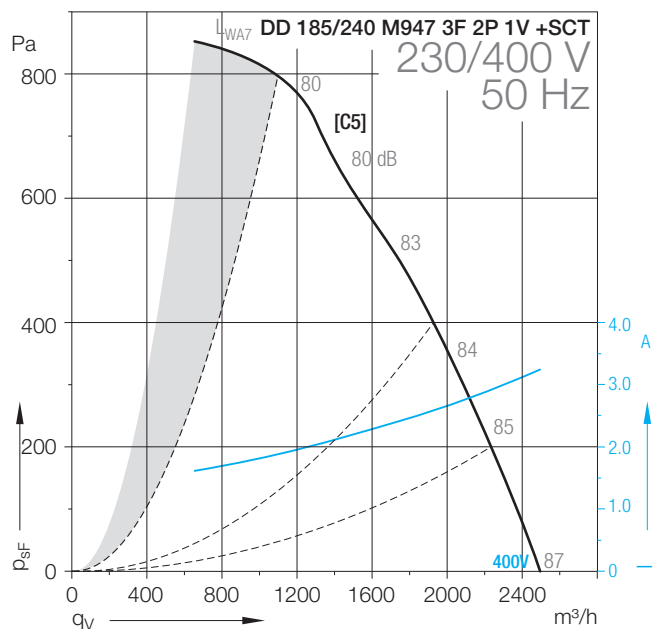
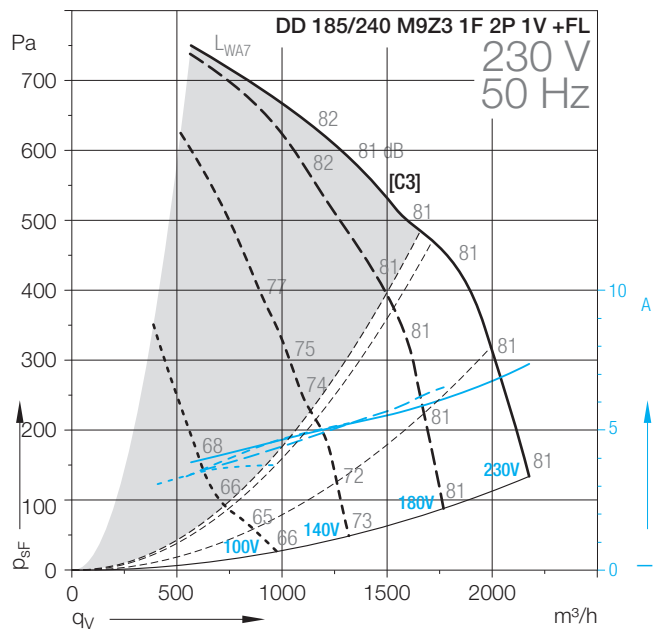
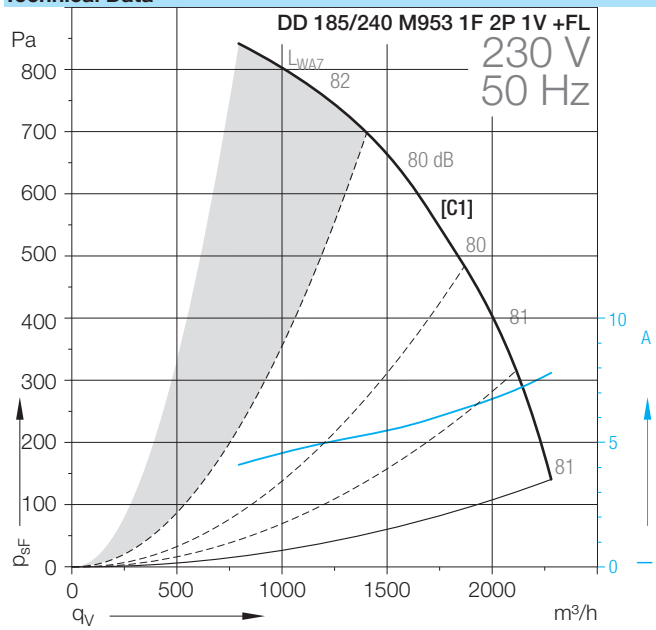
DD 185/176 M049 1F 4P 2V +FL



DD 185/176 M023 1F 4P 3V +FL



Technical Data



DD-185/240



Technical Data										
	Speed control	Curves	Nominal motor power	Poles	Phases	Connection	Mains frequency	Max. power consumption	Max. current consumption	Speed
DD 185/240			W	-			Hz	W	A	1/min
M953 1F 2P 1V +FL	*	[C1]	1000	2	1~		50	1804	7.6	2700
M9Z3 1F 2P 1V +FL	(2)	[C3]	900	2	1~		50	1725	7.1	2600
M947 3F 2P 1V +SCT	*	[C5/C6]	750	2	3~	Δ/Y	50/60	2100	3.3	2900

Technical Data										
	Operating Capacitor	Nominal capacitor voltage	Motor protection class	Motor thermal class	Thermal protection	Media Temperature max.	Fan weight	Density of media	Installation type (ISO 5801)	Article number
DD 185/240	μF	V				°C	kg	kg/m³		
M953 1F 2P 1V +FL	20	450	IP20	B	INT	40	10	1.2	B	6109C7
M9Z3 1F 2P 1V +FL	20	450	IP20	F	INT	40	10	1.2	B	6109GH
M947 3F 2P 1V +SCT			IP20	F	NO	40	8	1.2	B	610929

(1) = Speed controllable via Transformer

(2) = Speed controllable via TRIAC or Transformer

(3) = Speed controllable via Inverter

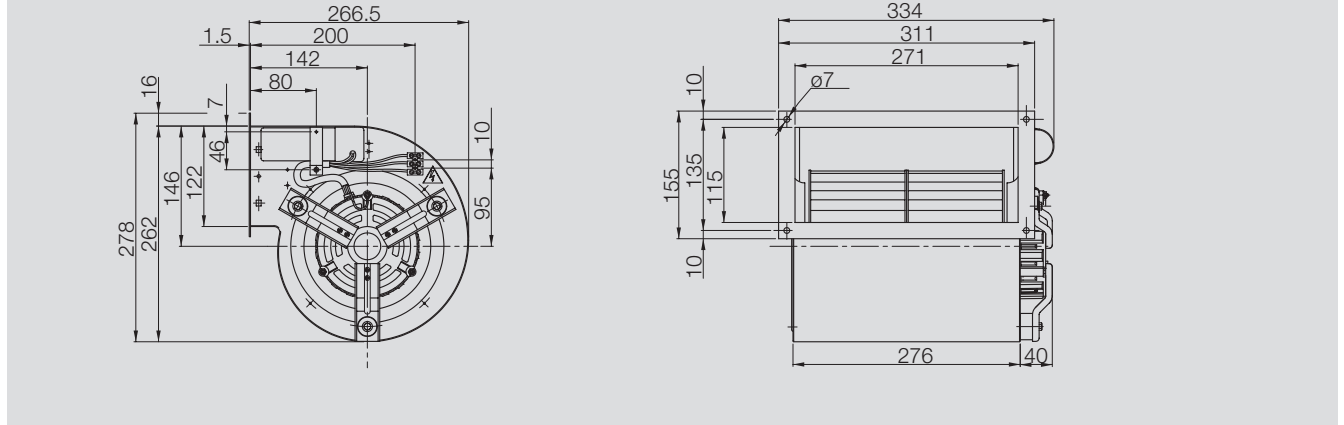
* = No speed control available

[H] High speed, [ME] Medium speed, [LO] Low speed

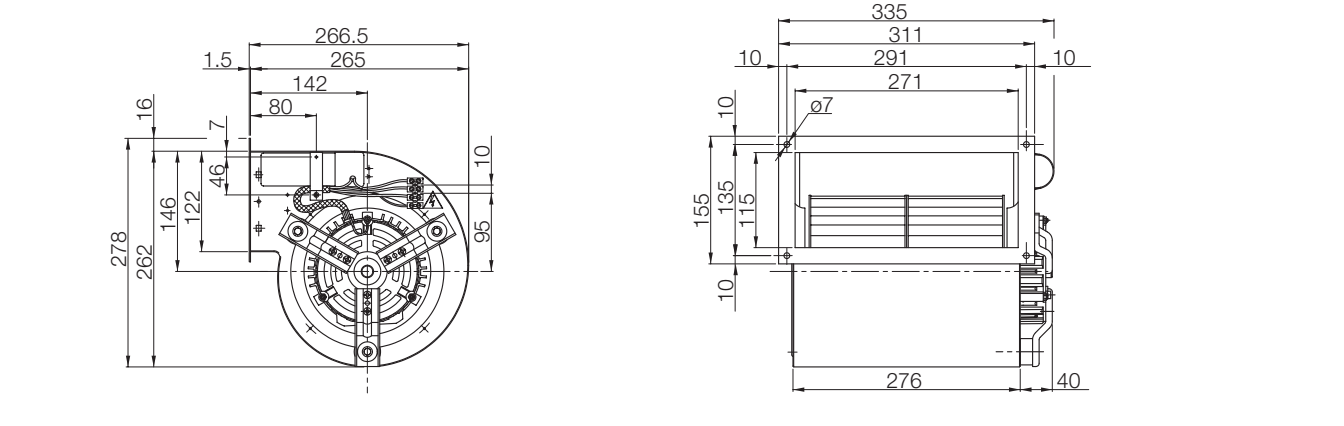
Attention! We suggest to do not use the fan in the grey marked area! The noise ratings given in the performance curves are sound power level L_{WA7} , see „Technical Description“.

Dimensions in mm, subject to change.

DD 185/240 M953 1F 2P 1V +FL



DD 185/240 M9Z3 1F 2P 1V +FL



DD 185/240 M947 3F 2P 1V +SCT

