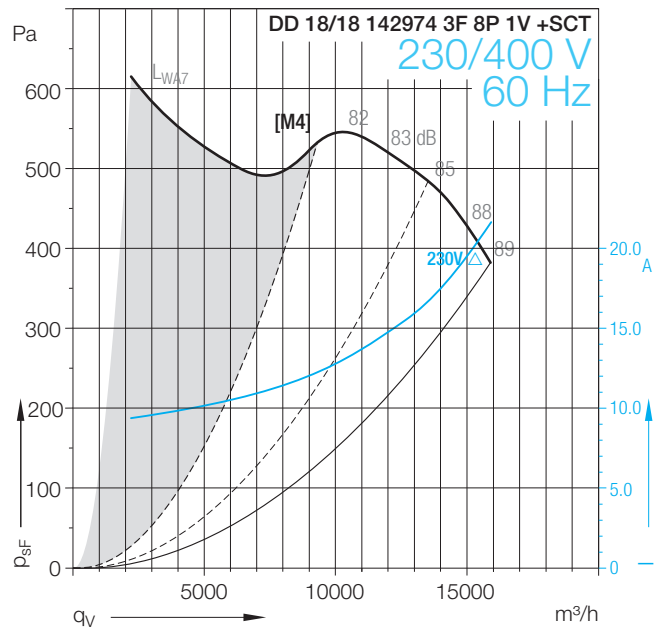
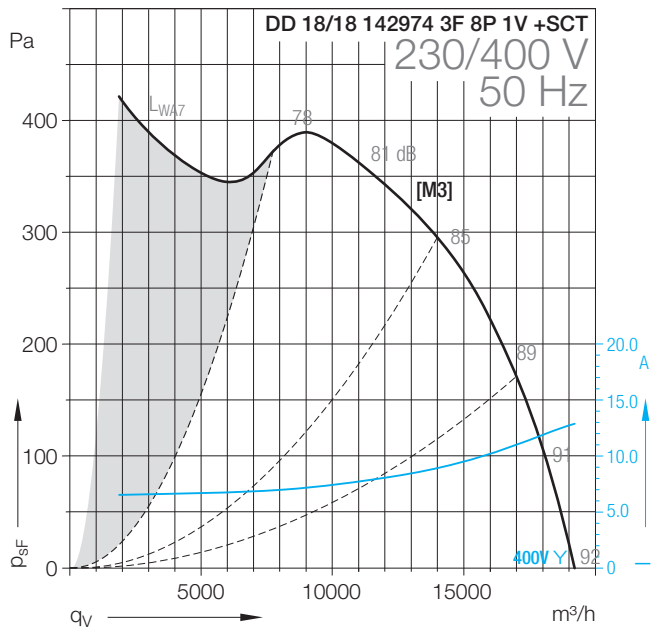
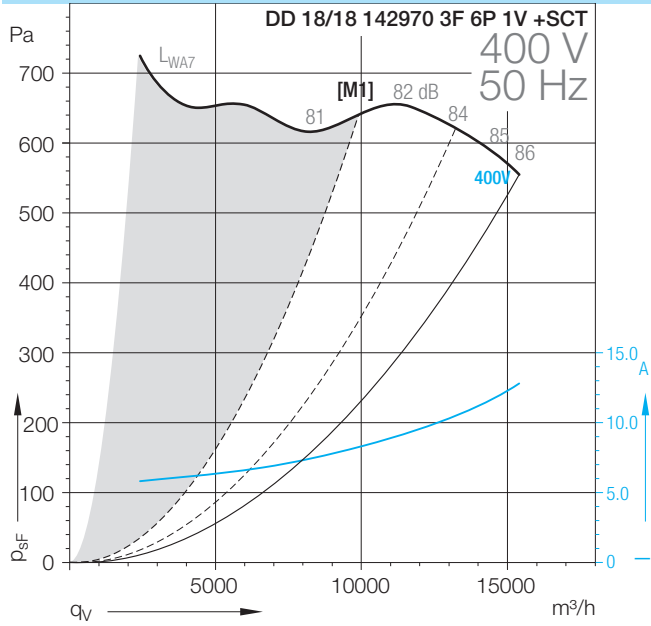


DD-18/18



Technical Data



DD-18/18



Technical Data										
	Speed control	Curves	Nominal motor power	Poles	Phases	Connection	Mains frequency	Max. power consumption	Max. current consumption	Speed
DD 18/18			W	-			Hz	W	A	1/min
142970 3F 6P 1V +SCT	*	[M1]	4000	6	3~	Δ/Y	50	7084	12	965
142974 3F 8P 1V +SCT	*	[M3/M4]	3000	8	3~	Δ/Y	50/60	6929	12.4	700

Technical Data										
	Operating Capacitor	Nominal capacitor voltage	Motor protection class	Motor thermal class	Thermal protection	Media Temperature max.	Fan weight	Density of media	Installation type (ISO 5801)	Article number
DD 18/18						°C	kg	kg/m³		
142970 3F 6P 1V +SCT			IP55	F	NO	40	48	1.2	B	6109L1
142974 3F 8P 1V +SCT			IP55	F	NO	40	98	1.2	B	6109N4

(1) = Speed controllable via Transformer

(2) = Speed controllable via TRIAC or Transformer

(3) = Speed controllable via Inverter

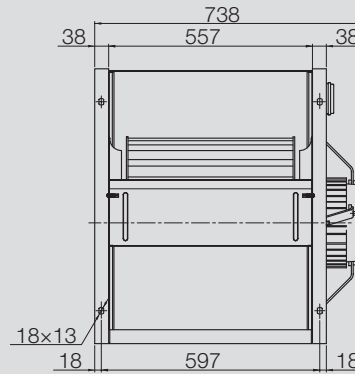
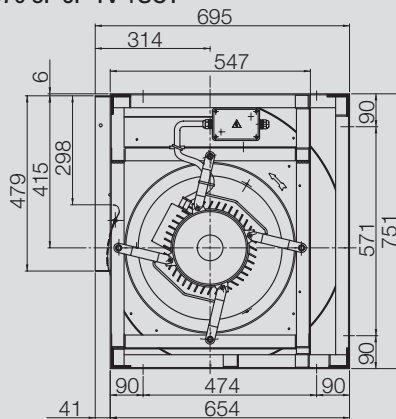
* = No speed control available

[HI] High speed, [ME] Medium speed, [LO] Low speed

Attention! We suggest to do not use the fan in the grey marked area! The noise ratings given in the performance curves are sound power level L_{WA7} , see „Technical Description“.

Dimensions in mm, subject to change.

DD 18/18 142970 3F 6P 1V +SCT



DD 18/18 142974 3F 8P 1V +SCT

