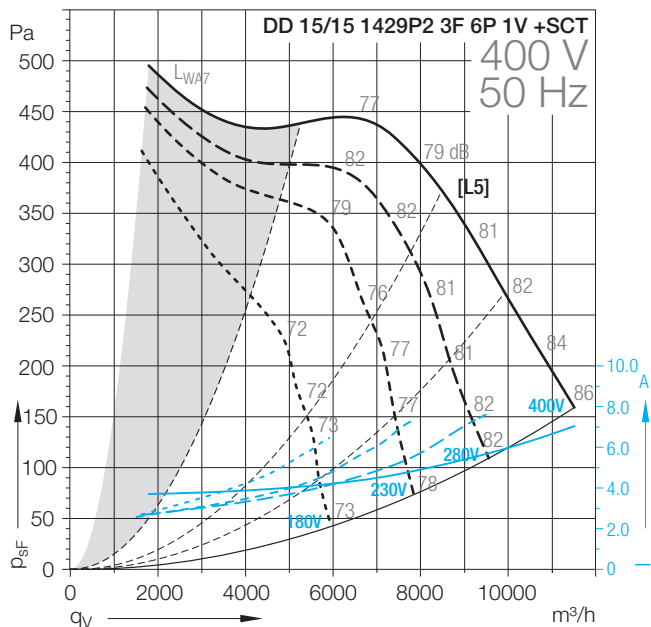
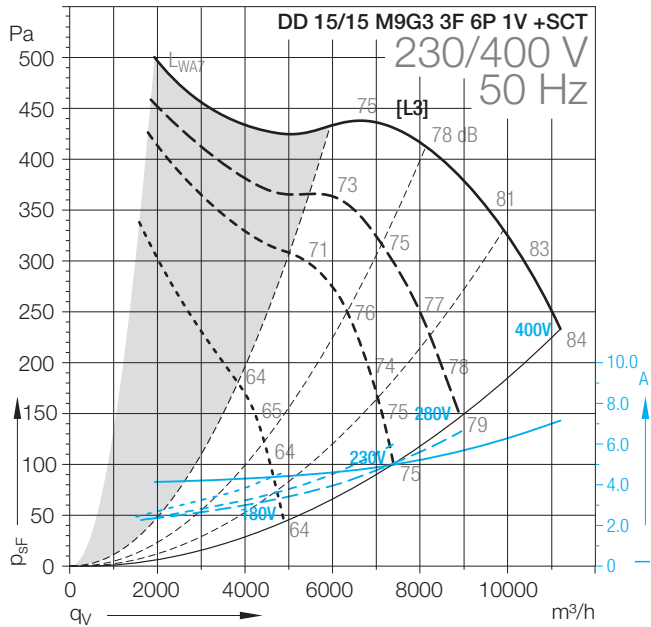
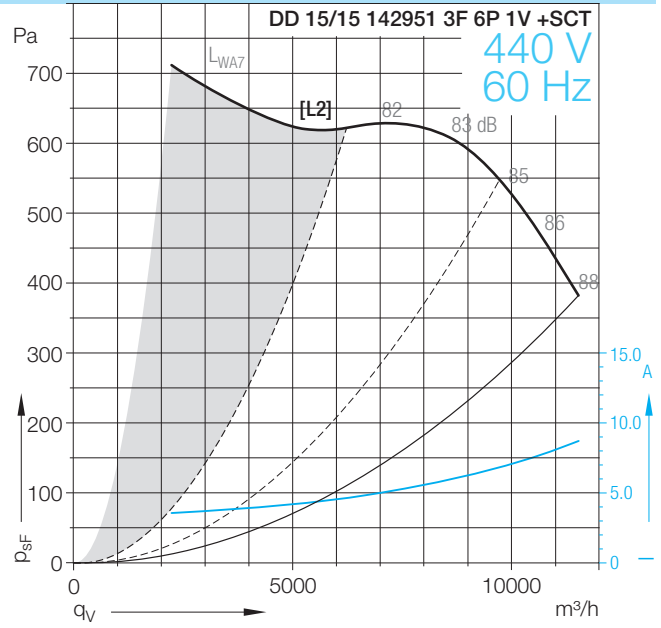
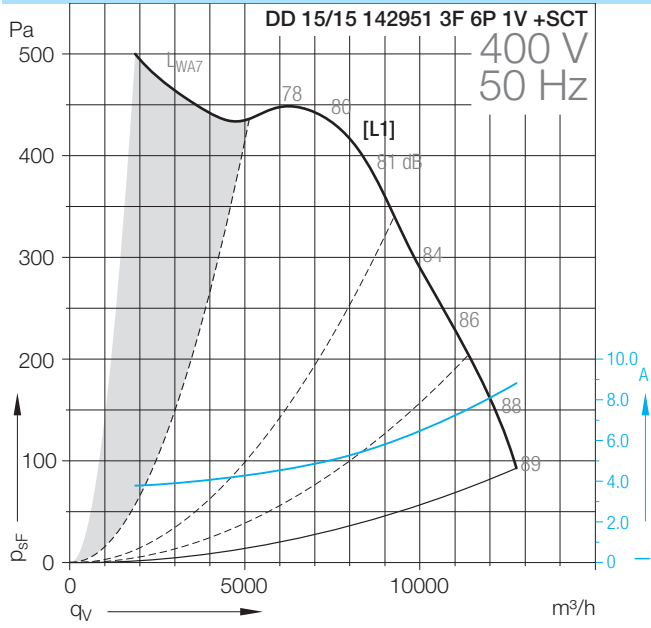


# DD-15/15



## Technical Data



# DD-15/15



Technical Data										
	Speed control	Curves	Nominal motor power	Poles	Phases	Connection	Mains frequency	Max. power consumption	Max. current consumption	Speed
DD 15/15			<b>W</b>	-			<b>Hz</b>	<b>W</b>	<b>A</b>	<b>1/min</b>
142951 3F 6P 1V +SCT	*	[L1/L2]	2200	6	3~	Y	50/60	4594	8.5	960
M9G3 3F 6P 1V +SCT	(1)	[L3]	2200	6	3~	Δ/Y	50	3877	7	900
1429P2 3F 6P 1V +SCT	(2)	[L5]	2200	6	3~	Y	50	4140	6.8	910

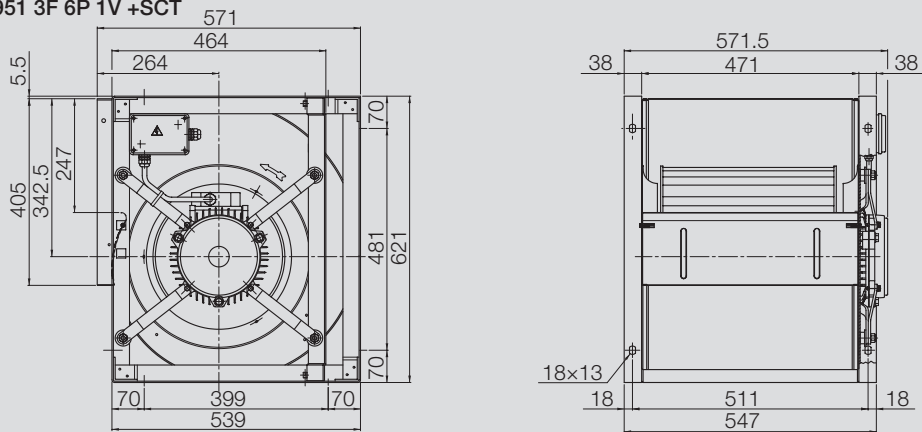
Technical Data										
	Operating Capacitor	Nominal capacitor voltage	Motor protection class	Motor thermal class	Thermal protection	Media Temperature max.	Fan weight	Density of media	Installation type (ISO 5801)	Article number
DD 15/15						<b>°C</b>	<b>kg</b>	<b>kg/m<sup>3</sup></b>		
142951 3F 6P 1V +SCT			IP55	F	NO	40	60	1.2	B	6109C8
M9G3 3F 6P 1V +SCT			IP20	F	NO	40	36	1.2	B	6109W2
1429P2 3F 6P 1V +SCT			IP55	F	EXT	40	51	1.2	B	6109GX

- (1) = Speed controllable via Transformer
- (2) = Speed controllable via TRIAC or Transformer
- (3) = Speed controllable via Inverter
- \* = No speed control available

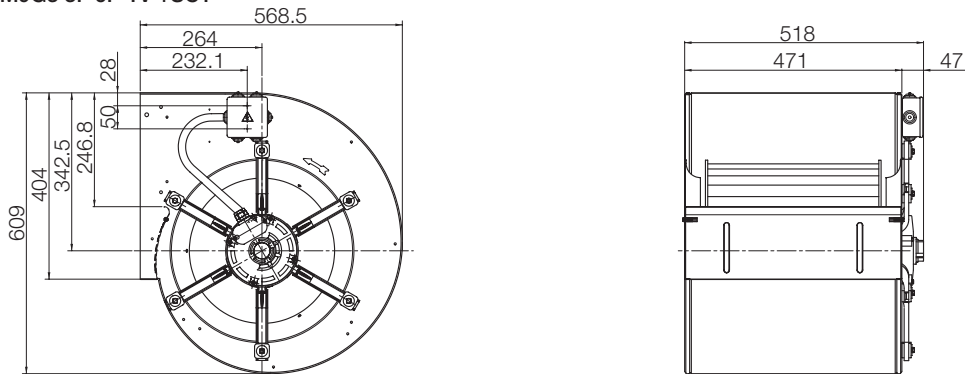
[HI] High speed, [ME] Medium speed, [LO] Low speed  
**Attention!** We suggest to do not use the fan in the grey marked area! The noise ratings given in the performance curves are sound power level  $L_{WA7}$ , see „Technical Description“.

**Dimensions** in mm, subject to change.

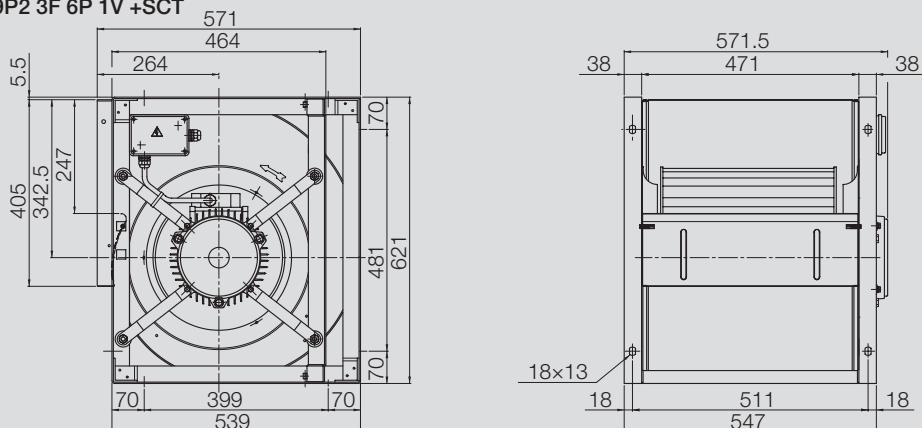
DD 15/15 142951 3F 6P 1V +SCT



DD 15/15 M9G3 3F 6P 1V +SCT



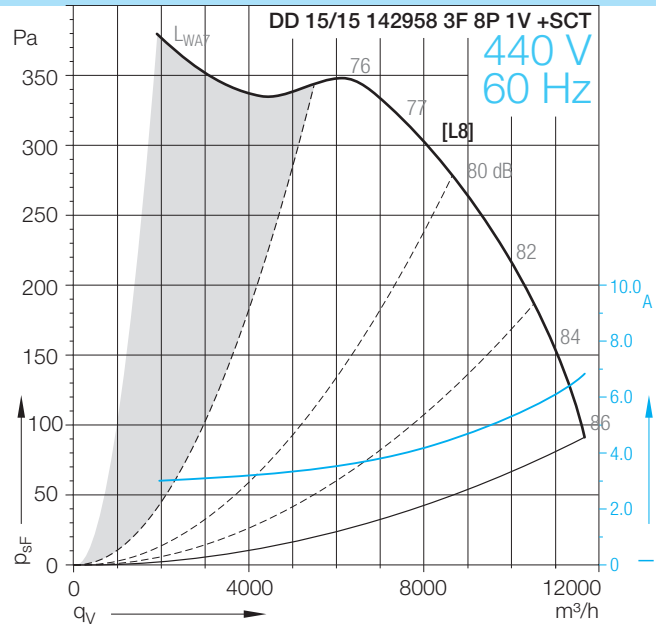
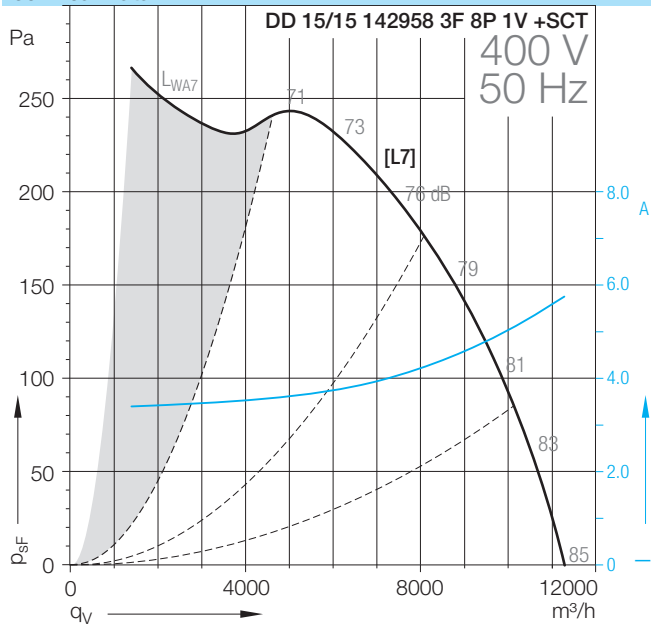
DD 15/15 1429P2 3F 6P 1V +SCT



# DD-15/15



## Technical Data



# DD-15/15



Technical Data										
	Speed control	Curves	Nominal motor power	Poles	Phases	Connection	Mains frequency	Max. power consumption	Max. current consumption	Speed
			W	-			Hz	W	A	1/min
DD 15/15										
142958 3F 8P 1V +SCT	*	[L7/L8]	1500	8	3~	Y	50/60	2865	5.4	715

Technical Data										
	Operating Capacitor	Nominal capacitor voltage	Motor protection class	Motor thermal class	Thermal protection	Media Temperature max.	Fan weight	Density of media	Installation type (ISO 5801)	Article number
						°C	kg	kg/m <sup>3</sup>		
DD 15/15										
142958 3F 8P 1V +SCT			IP55	F	NO	40	78	1.2	B	6109F6

(1) = Speed controllable via Transformer

(2) = Speed controllable via TRIAC or Transformer

(3) = Speed controllable via Inverter

\* = No speed control available

[HI] High speed, [ME] Medium speed, [LO] Low speed

**Attention!** We suggest to do not use the fan in the grey marked area! The noise ratings given in the performance curves are sound power level  $L_{WA7}$ , see „Technical Description“.

### Dimensions in mm, subject to change.

#### DD 15/15 142958 3F 8P 1V +SCT

