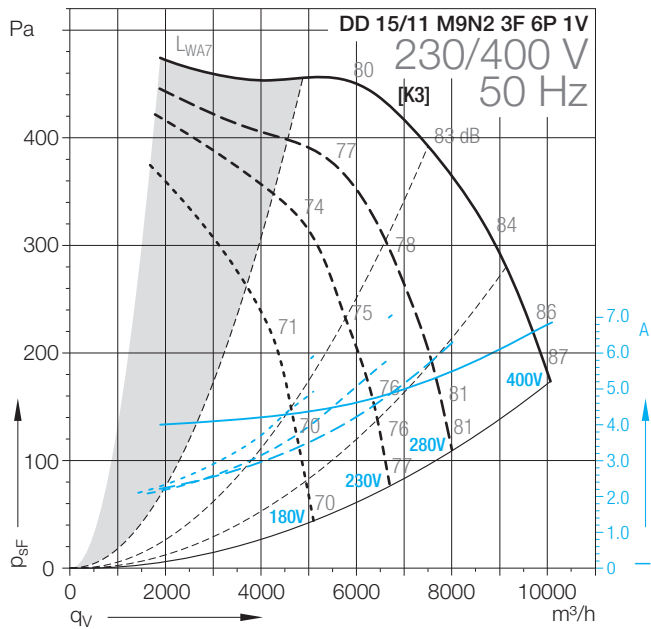
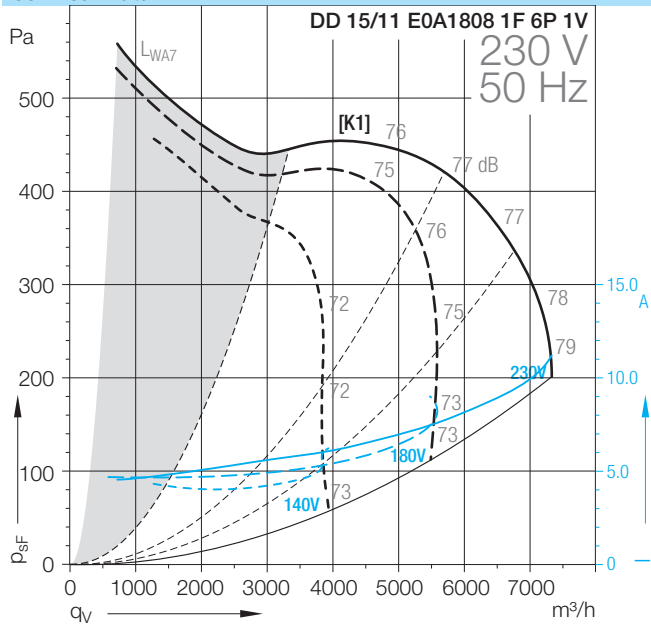


DD-15/11



Technical Data



DD-15/11



Technical Data										
	Speed control	Curves	Nominal motor power	Poles	Phases	Connection	Mains frequency	Max. power consumption	Max. current consumption	Speed
			W	-			Hz	W	A	1/min
DD 15/11										
E0A1808 1F 6P 1V	(2)	[K1]	1350	6	1~		50	2525	10.8	900
M9N2 3F 6P 1V	(2)	[K3]	2200	6	3~	Δ/Y	50	3621	6.5	900

Technical Data										
	Operating Capacitor	Nominal capacitor voltage	Motor protection class	Motor thermal class	Thermal protection	Media Temperature max.	Fan weight	Density of media	Installation type (ISO 5801)	Article number
	μF	V				°C	kg	kg/m³		
DD 15/11										
E0A1808 1F 6P 1V	35	450	IP20	F	EXT	40	25	1.2	B	6109HC
M9N2 3F 6P 1V			IP20	F	EXT	40	25	1.2	B	61096X

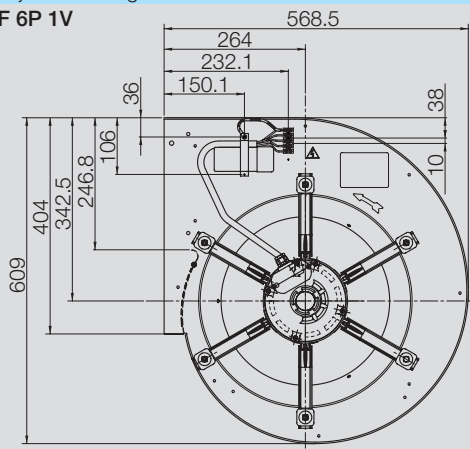
- (1) = Speed controllable via Transformer
- (2) = Speed controllable via TRIAC or Transformer
- (3) = Speed controllable via Inverter
- * = No speed control available

[HI] High speed, [ME] Medium speed, [LO] Low speed

Attention! We suggest to do not use the fan in the grey marked area! The noise ratings given in the performance curves are sound power level L_{WA7} , see „Technical Description“.

Dimensions in mm, subject to change.

DD 15/11 E0A1808 1F 6P 1V



DD 15/11 M9N2 3F 6P 1V

