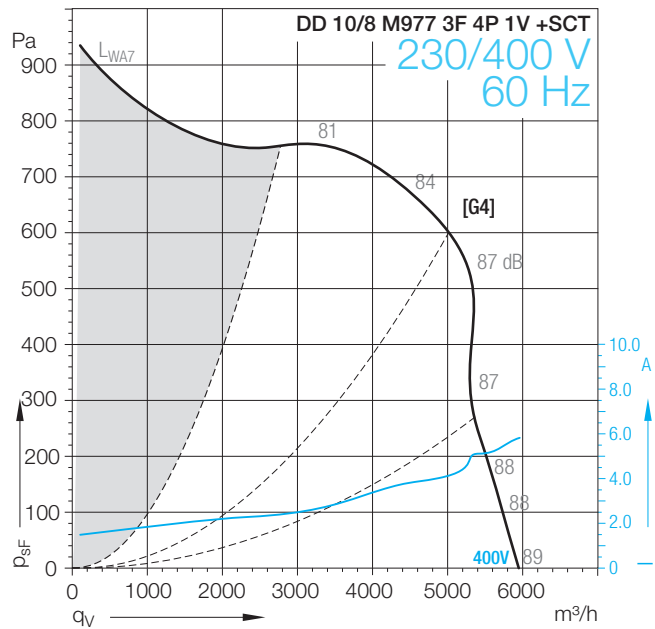
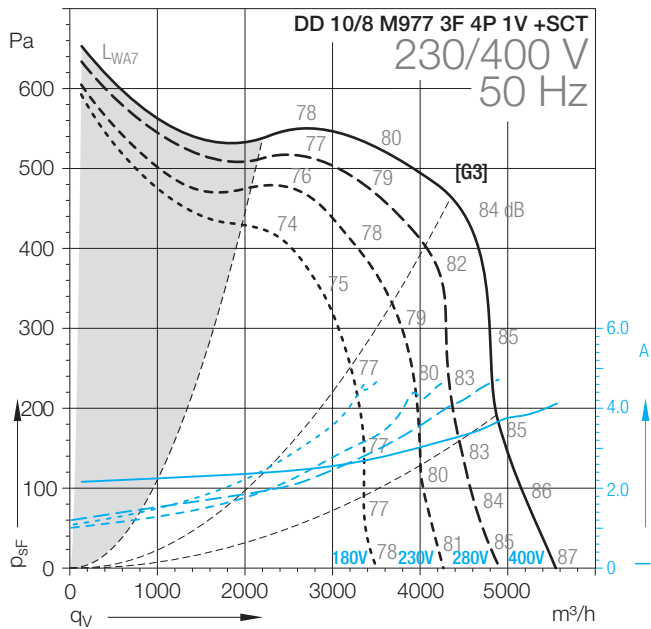
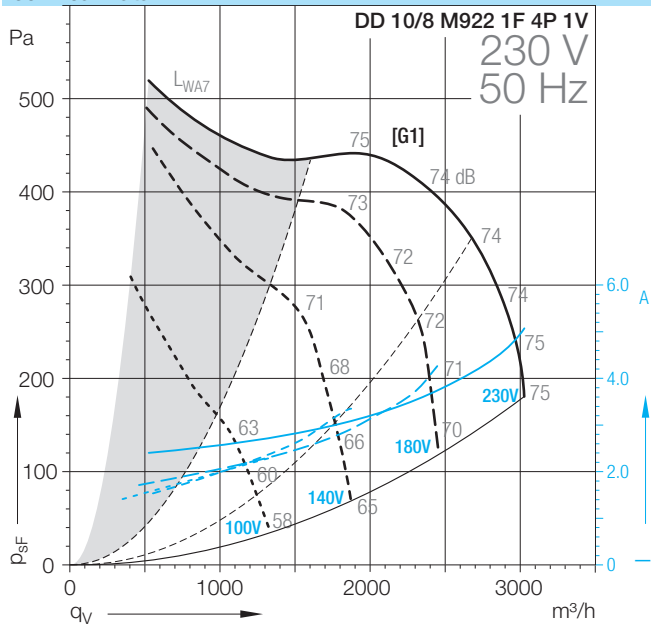


DD-10/8



Technical Data



DD-10/8



Technical Data										
	Speed control	Curves	Nominal motor power	Poles	Phases	Connection	Mains frequency	Max. power consumption	Max. current consumption	Speed
DD 10/8			W	-			Hz	W	A	1/min
M922 1F 4P 1V	(2)	[G1]	373	4	1~		50	1163	4.8	1380
M977 3F 4P 1V +SCT	*	[G3/G4]	1500	4	3~	Δ/Y	50/60	2509	4.7	1360

Technical Data										
	Operating Capacitor	Nominal capacitor voltage	Motor protection class	Motor thermal class	Thermal protection	Media Temperature max.	Fan weight	Density of media	Installation type (ISO 5801)	Article number
DD 10/8	μF	V				°C	kg	kg/m³		
M922 1F 4P 1V	12.5	450	IP20	F	INT	40	13	1.2	B	6M0652
M977 3F 4P 1V +SCT			IP20	B	EXT	40	22	1.2	B	6M09Y3

(1) = Speed controllable via Transformer

(2) = Speed controllable via TRIAC or Transformer

(3) = Speed controllable via Inverter

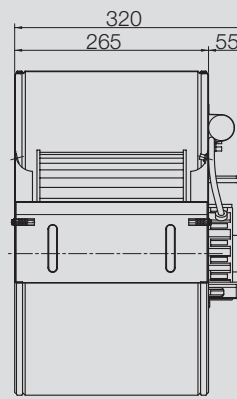
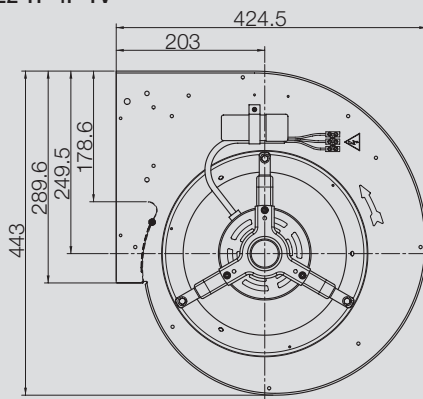
* = No speed control available

[HI] High speed, [ME] Medium speed, [LO] Low speed

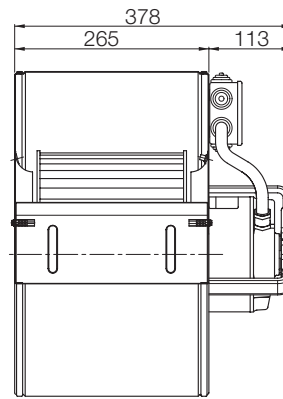
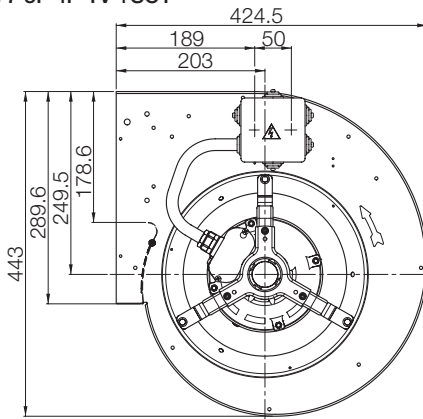
Attention! We suggest to do not use the fan in the grey marked area! The noise ratings given in the performance curves are sound power level L_{WA7} , see „Technical Description“.

Dimensions in mm, subject to change.

DD 10/8 M922 1F 4P 1V



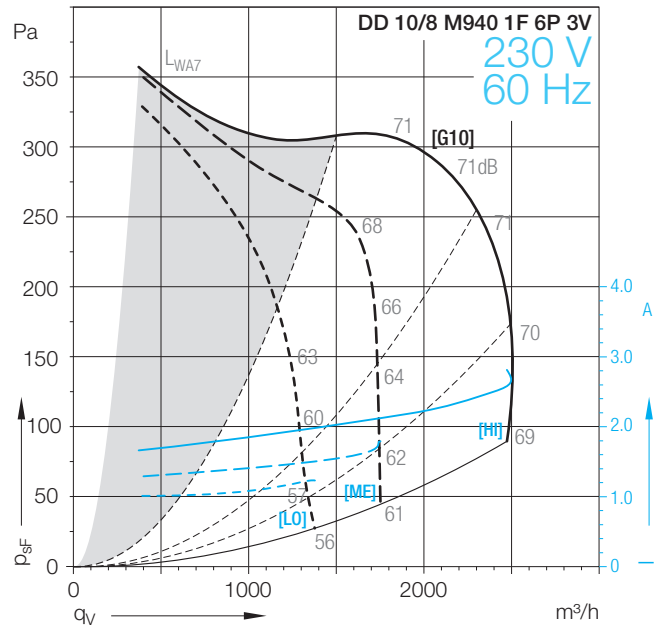
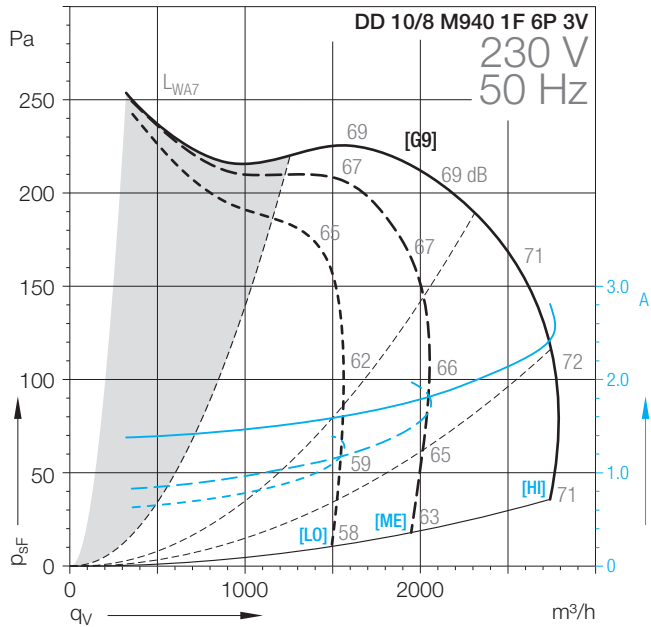
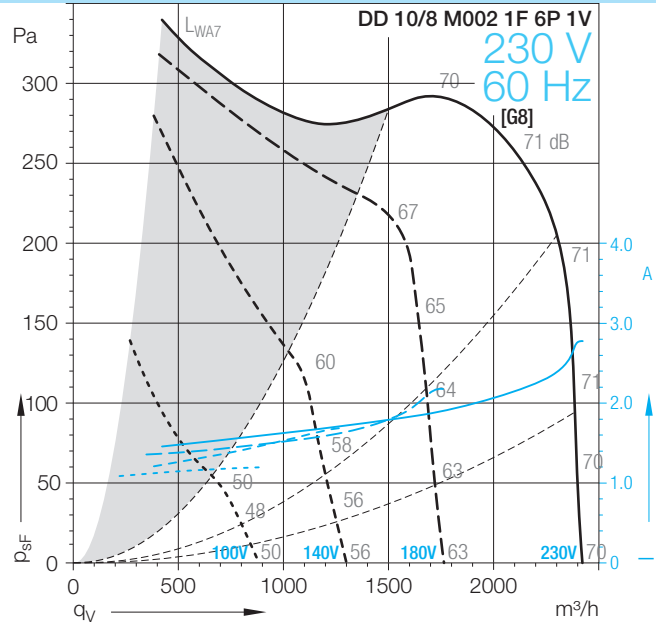
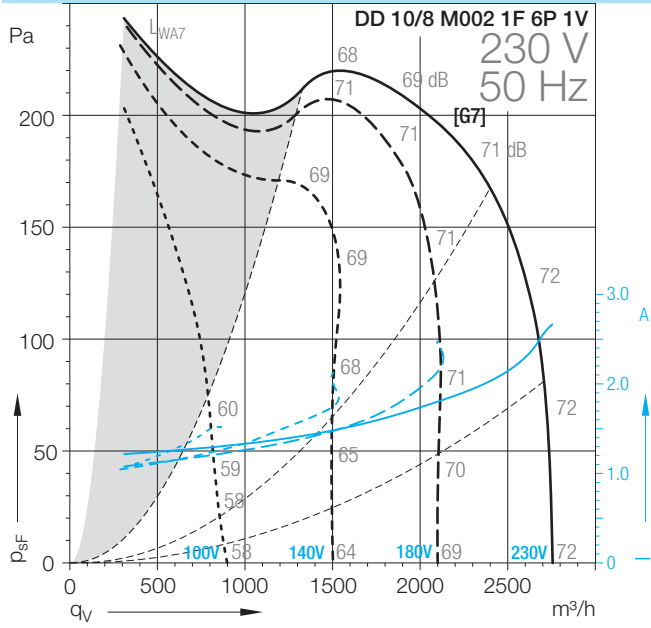
DD 10/8 M977 3F 4P 1V +SCT



DD-10/8



Technical Data



DD-10/8



Technical Data										
	Speed control	Curves	Nominal motor power	Poles	Phases	Connection	Mains frequency	Max. power consumption	Max. current consumption	Speed
DD 10/8			W	-			Hz	W	A	1/min
M002 1F 6P 1V	(1)	[G5/G6]	245	6	1~		50/60	591	2.6	850
M940 1F 6P 3V	*	[G7/G8]	245	6	1~		50/60	625	2.6	880

Technical Data										
	Operating Capacitor	Nominal capacitor voltage	Motor protection class	Motor thermal class	Thermal protection	Media Temperature max.	Fan weight	Density of media	Installation type (ISO 5801)	Article number
DD 10/8	µF	V				°C	kg	kg/m³		
M002 1F 6P 1V	8	450	IP20	F	INT	60	13	1.2	B	6M0312
M940 1F 6P 3V	8	500	IP20	F	INT	40	13	1.2	B	6M0648

(1) = Speed controllable via Transformer

(2) = Speed controllable via TRIAC or Transformer

(3) = Speed controllable via Inverter

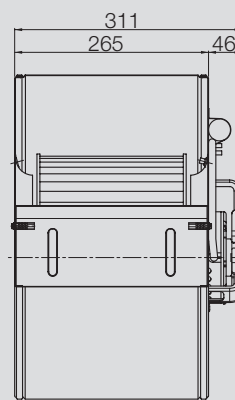
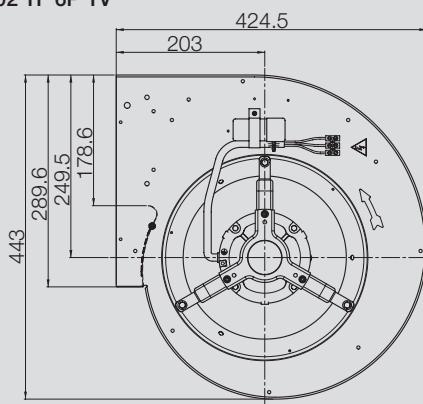
* = No speed control available

[HI] High speed, [ME] Medium speed, [LO] Low speed

Attention! We suggest to do not use the fan in the grey marked area! The noise ratings given in the performance curves are sound power level L_{WA7} , see „Technical Description“.

Dimensions in mm, subject to change.

DD 10/8 M002 1F 6P 1V



DD 10/8 M940 1F 6P 3V

