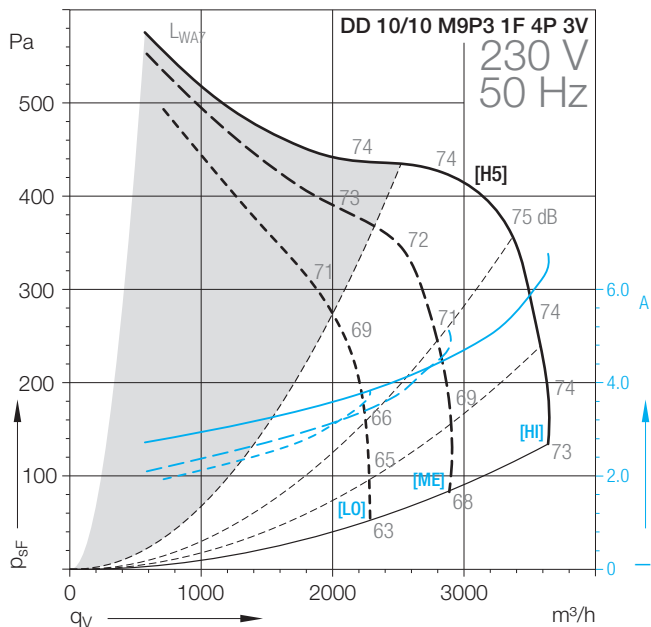
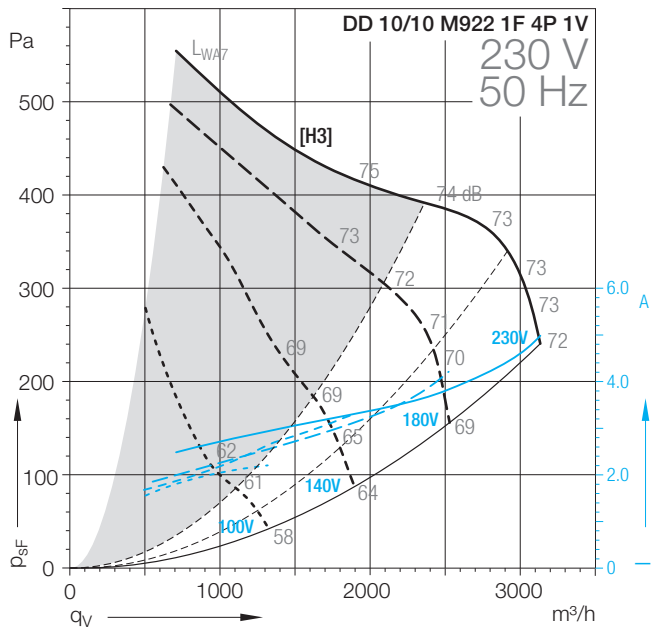
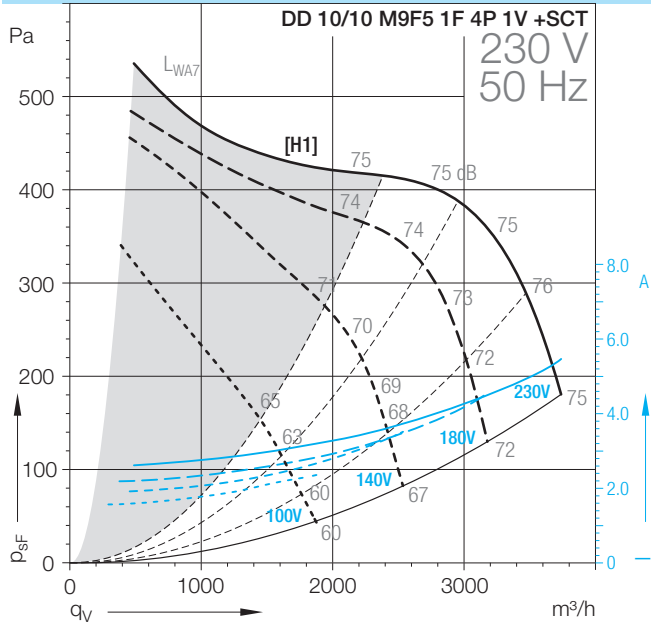


# DD-10/10



## Technical Data



# DD-10/10



| Technical Data     |               |        |                     |       |        |            |                 |                        |                          |              |
|--------------------|---------------|--------|---------------------|-------|--------|------------|-----------------|------------------------|--------------------------|--------------|
|                    | Speed control | Curves | Nominal motor power | Poles | Phases | Connection | Mains frequency | Max. power consumption | Max. current consumption | Speed        |
| DD 10/10           |               |        | <b>W</b>            | -     |        |            | <b>Hz</b>       | <b>W</b>               | <b>A</b>                 | <b>1/min</b> |
| M9F5 1F 4P 1V +SCT | (2)           | [H1]   | 550                 | 4     | 1~     |            | 50              | 1238                   | 5.1                      | 1200         |
| M922 1F 4P 1V      | (2)           | [H3]   | 373                 | 4     | 1~     |            | 50              | 1141                   | 4.8                      | 1380         |
| M9P3 1F 4P 3V      | *             | [H5]   | 550                 | 4     | 1~     |            | 50              | 1494                   | 6.3                      | 1370         |

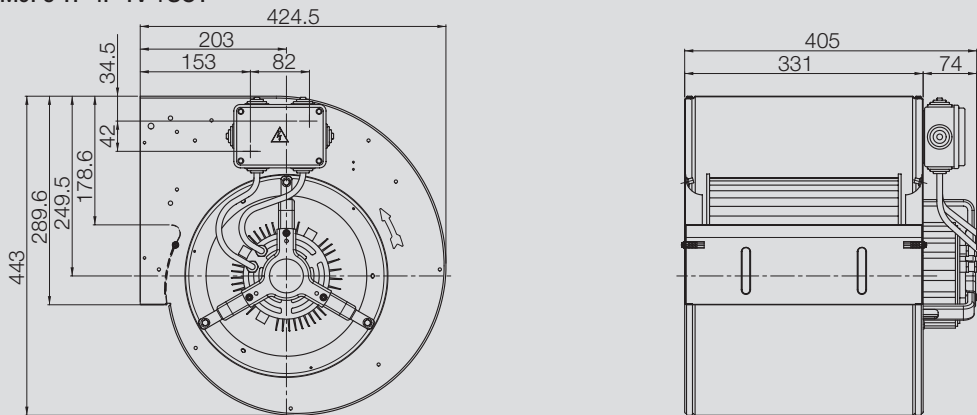
| Technical Data     |                     |                           |                        |                     |                    |                        |            |                  |                              |                |
|--------------------|---------------------|---------------------------|------------------------|---------------------|--------------------|------------------------|------------|------------------|------------------------------|----------------|
|                    | Operating Capacitor | Nominal capacitor voltage | Motor protection class | Motor thermal class | Thermal protection | Media Temperature max. | Fan weight | Density of media | Installation type (ISO 5801) | Article number |
| DD 10/10           | <b>µF</b>           | <b>V</b>                  |                        |                     |                    | <b>°C</b>              | <b>kg</b>  | <b>kg/m³</b>     |                              |                |
| M9F5 1F 4P 1V +SCT | 16                  | 500                       | IP44                   | F                   | EXT                | 40                     | 15         | 1.2              | B                            | 6M09CU         |
| M922 1F 4P 1V      | 12.5                | 450                       | IP20                   | F                   | INT                | 40                     | 15         | 1.2              | B                            | 6M0627         |
| M9P3 1F 4P 3V      | 16                  | 450                       | IP20                   | F                   | INT                | 40                     | 15         | 1.2              | B                            | 6M061U         |

- (1) = Speed controllable via Transformer
- (2) = Speed controllable via TRIAC or Transformer
- (3) = Speed controllable via Inverter
- \* = No speed control available

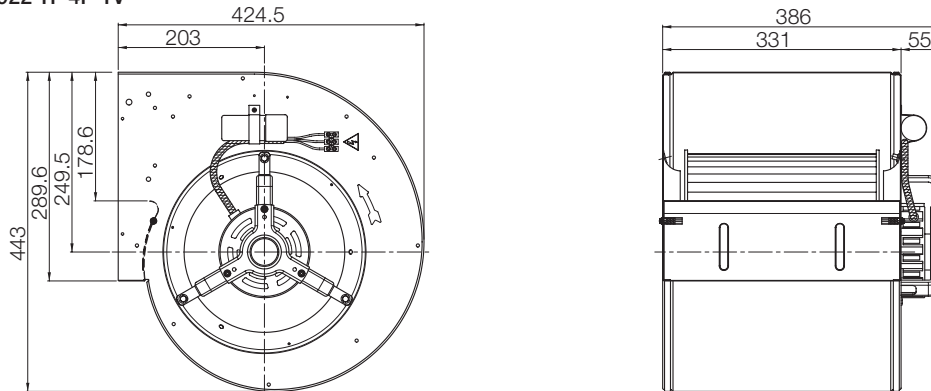
[H] High speed, [ME] Medium speed, [LO] Low speed  
**Attention!** We suggest to do not use the fan in the grey marked area! The noise ratings given in the performance curves are sound power level  $L_{WA7}$ , see „Technical Description“.

**Dimensions** in mm, subject to change.

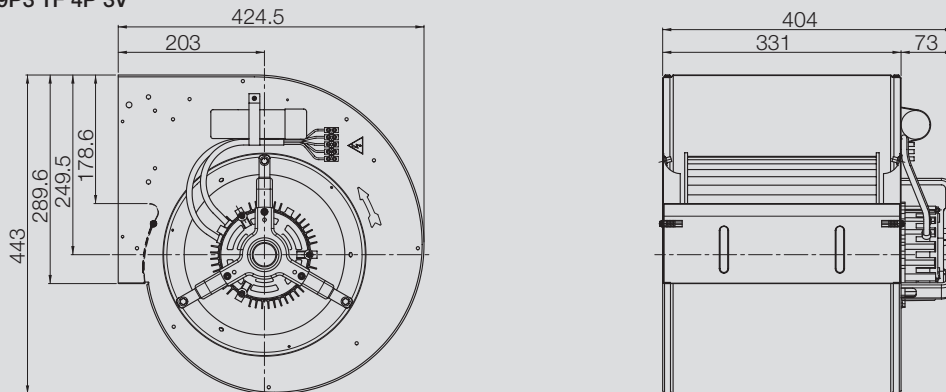
DD 10/10 M9F5 1F 4P 1V +SCT



DD 10/10 M922 1F 4P 1V



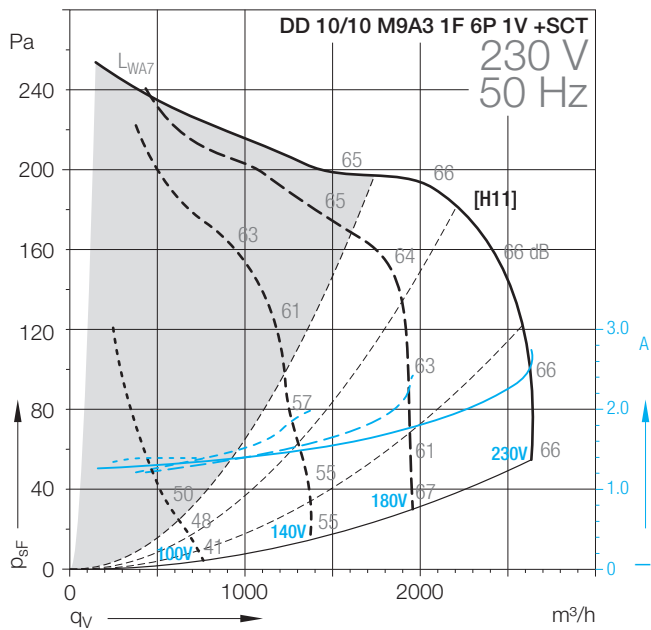
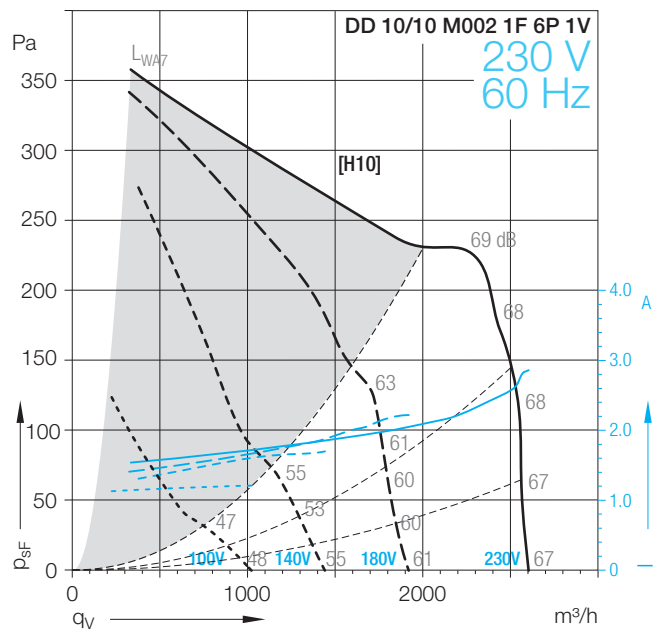
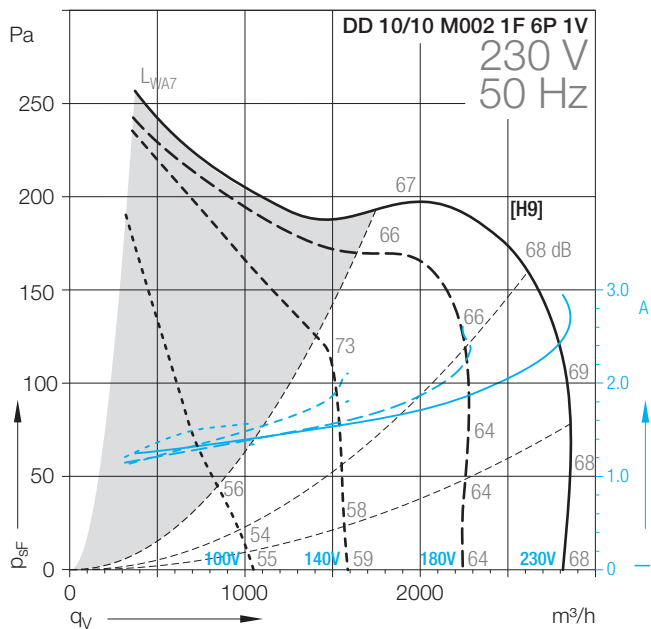
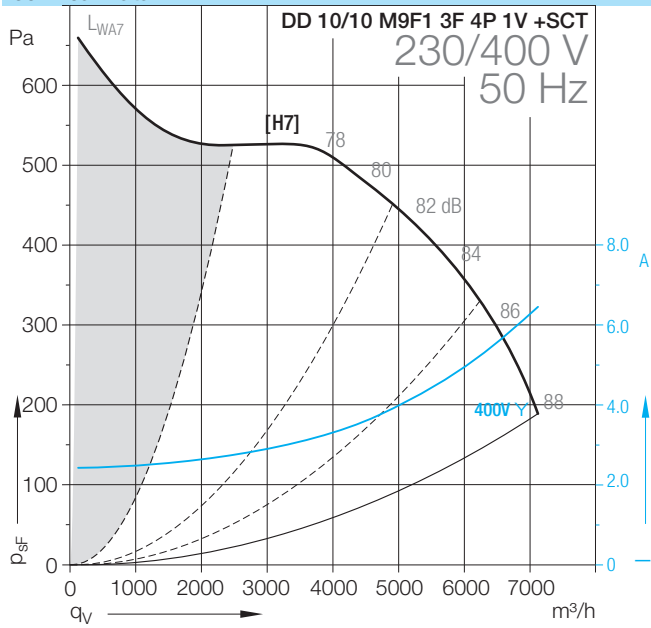
DD 10/10 M9P3 1F 4P 3V



# DD-10/10



## Technical Data



# DD-10/10



| Technical Data     |               |          |                     |       |        |            |                 |                        |                          |              |
|--------------------|---------------|----------|---------------------|-------|--------|------------|-----------------|------------------------|--------------------------|--------------|
|                    | Speed control | Curves   | Nominal motor power | Poles | Phases | Connection | Mains frequency | Max. power consumption | Max. current consumption | Speed        |
| DD 10/10           |               |          | <b>W</b>            | -     |        |            | <b>Hz</b>       | <b>W</b>               | <b>A</b>                 | <b>1/min</b> |
| M9F1 3F 4P 1V +SCT | (3)           | [H7]     | 1500                | 4     | 3~     | Δ/Y        | 50/60           | 3616                   | 5.6                      | 1420         |
| M002 1F 6P 1V      | (1)           | [H9/H10] | 245                 | 6     | 1~     |            | 50/60           | 643                    | 2.8                      | 850          |
| M9A3 1F 6P 1V +SCT | (2)           | [H11]    | 245                 | 6     | 1~     |            | 50              | 551                    | 2.6                      | 830          |

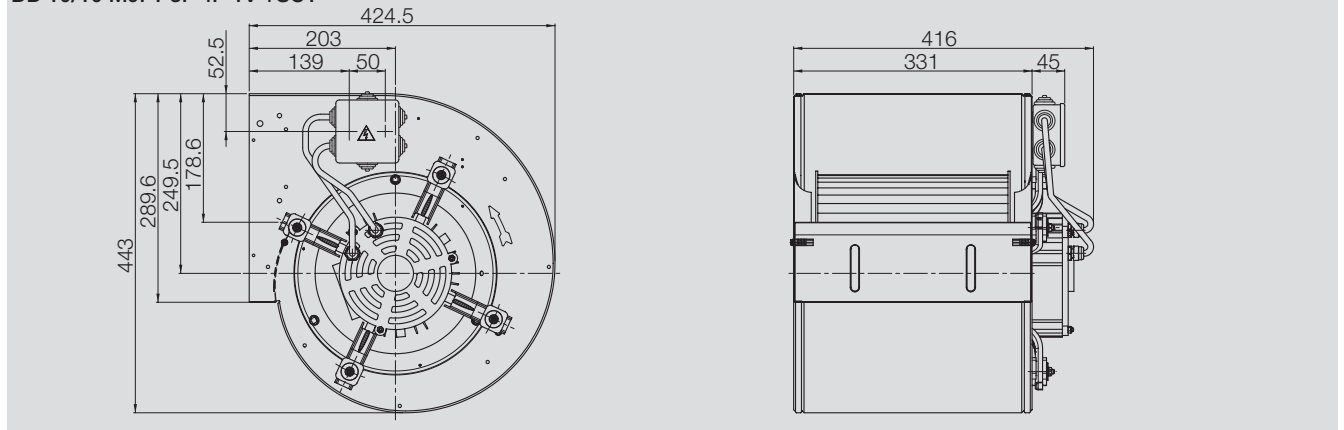
| Technical Data     |                     |                           |                        |                     |                    |                        |            |                         |                              |                |
|--------------------|---------------------|---------------------------|------------------------|---------------------|--------------------|------------------------|------------|-------------------------|------------------------------|----------------|
|                    | Operating Capacitor | Nominal capacitor voltage | Motor protection class | Motor thermal class | Thermal protection | Media Temperature max. | Fan weight | Density of media        | Installation type (ISO 5801) | Article number |
| DD 10/10           | <b>μF</b>           | <b>V</b>                  |                        |                     |                    | <b>°C</b>              | <b>kg</b>  | <b>kg/m<sup>3</sup></b> |                              |                |
| M9F1 3F 4P 1V +SCT |                     |                           | IP55                   | F                   | NO                 | 40                     | 15         | 1.2                     | B                            | 6109A9         |
| M002 1F 6P 1V      | 8                   | 450                       | IP20                   | F                   | INT                | 40                     | 15         | 1.2                     | B                            | 6M0314         |
| M9A3 1F 6P 1V +SCT | 8                   | 450                       | IP44                   | B                   | INT                | 40                     | 15         | 1.2                     | B                            | 6M0687         |

- (1) = Speed controllable via Transformer
- (2) = Speed controllable via TRIAC or Transformer
- (3) = Speed controllable via Inverter
- \* = No speed control available

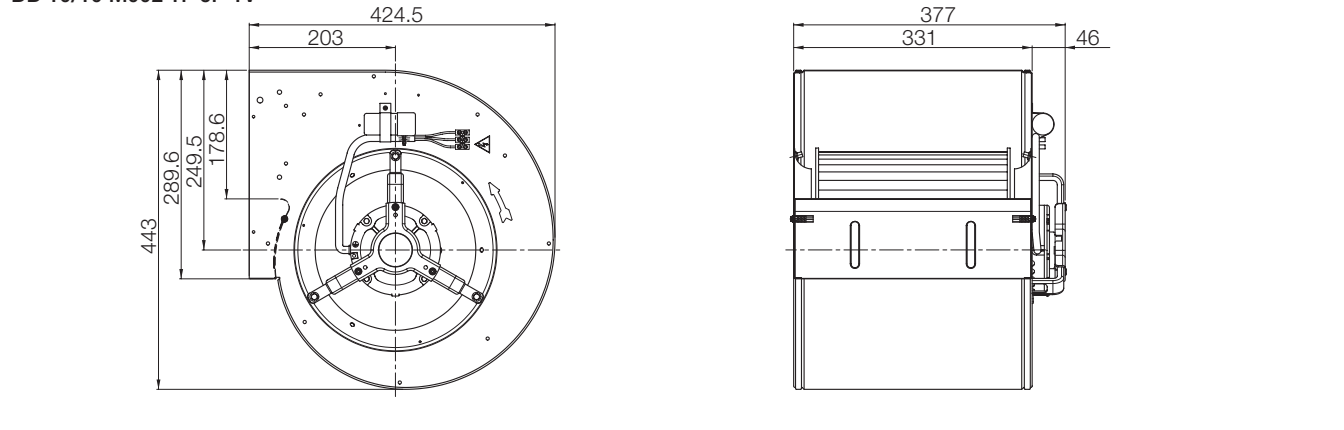
[HI] High speed, [ME] Medium speed, [LO] Low speed  
**Attention!** We suggest to do not use the fan in the grey marked area! The noise ratings given in the performance curves are sound power level  $L_{WA7}$ , see „Technical Description“.

**Dimensions** in mm, subject to change.

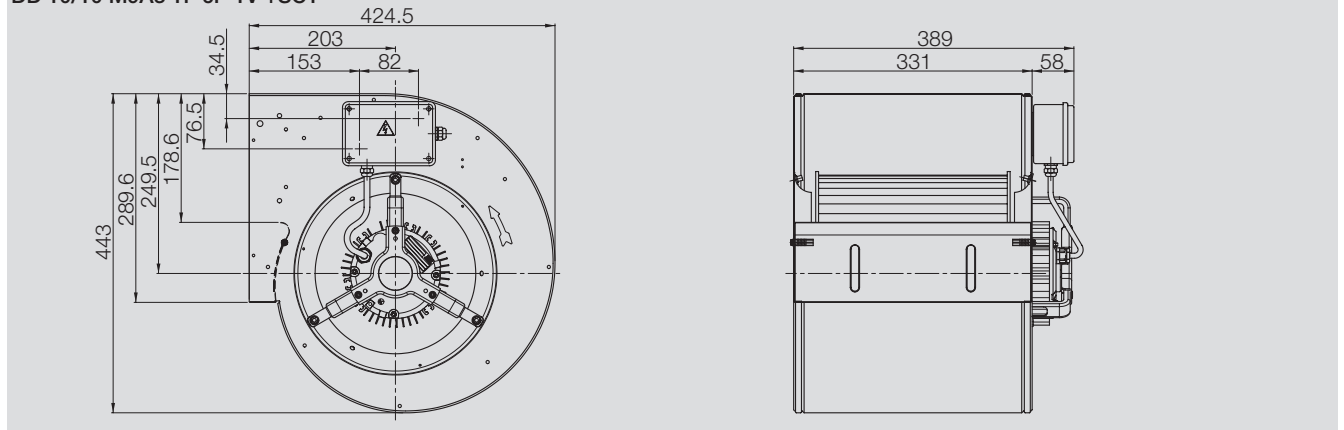
DD 10/10 M9F1 3F 4P 1V +SCT



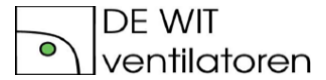
DD 10/10 M002 1F 6P 1V



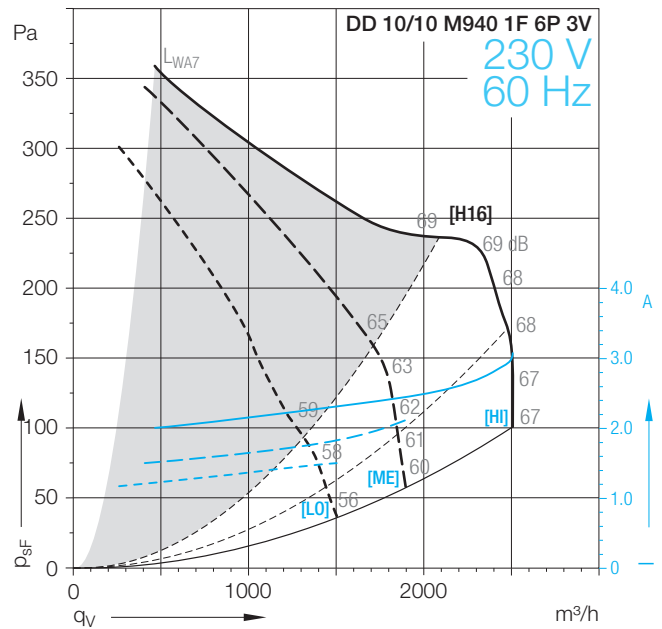
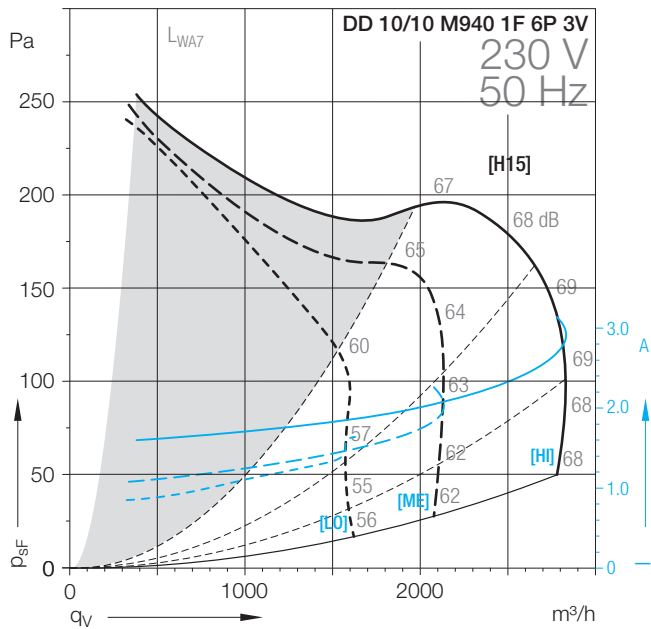
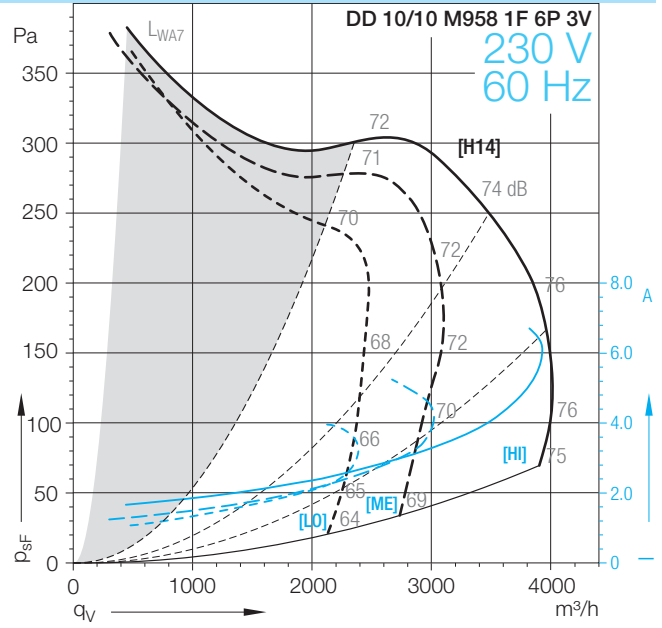
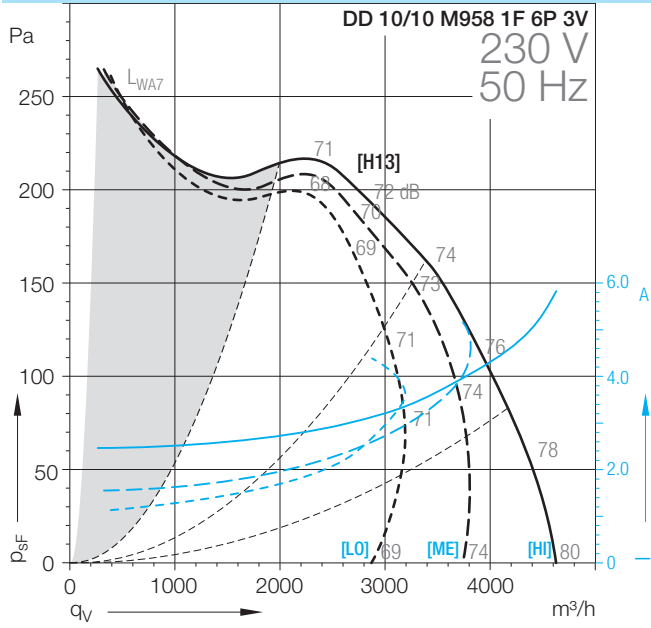
DD 10/10 M9A3 1F 6P 1V +SCT



# DD-10/10



## Technical Data



# DD-10/10



| Technical Data |               |           |                     |       |        |            |                 |                        |                          |              |
|----------------|---------------|-----------|---------------------|-------|--------|------------|-----------------|------------------------|--------------------------|--------------|
|                | Speed control | Curves    | Nominal motor power | Poles | Phases | Connection | Mains frequency | Max. power consumption | Max. current consumption | Speed        |
|                |               |           | <b>W</b>            | -     |        |            | <b>Hz</b>       | <b>W</b>               | <b>A</b>                 | <b>1/min</b> |
| DD 10/10       |               |           |                     |       |        |            |                 |                        |                          |              |
| M958 1F 6P 3V  | *             | [H13/H14] | 500                 | 6     | 1~     |            | 50/60           | 1155                   | 5.7                      | 930          |
| M940 1F 6P 3V  | *             | [H15/H16] | 245                 | 6     | 1~     |            | 50/60           | 687                    | 3                        | 880          |

| Technical Data |                     |                           |                        |                     |                    |                        |            |                  |                              |                |
|----------------|---------------------|---------------------------|------------------------|---------------------|--------------------|------------------------|------------|------------------|------------------------------|----------------|
|                | Operating Capacitor | Nominal capacitor voltage | Motor protection class | Motor thermal class | Thermal protection | Media Temperature max. | Fan weight | Density of media | Installation type (ISO 5801) | Article number |
|                | <b>µF</b>           | <b>V</b>                  |                        |                     |                    | <b>°C</b>              | <b>kg</b>  | <b>kg/m³</b>     |                              |                |
| DD 10/10       |                     |                           |                        |                     |                    |                        |            |                  |                              |                |
| M958 1F 6P 3V  | 10                  | 450                       | IP20                   | B                   | INT                | 40                     | 21         | 1.2              | B                            | 6M06Z5         |
| M940 1F 6P 3V  | 8                   | 500                       | IP20                   | F                   | INT                | 40                     | 15         | 1.2              | B                            | 6M06Z4         |

(1) = Speed controllable via Transformer

(2) = Speed controllable via TRIAC or Transformer

(3) = Speed controllable via Inverter

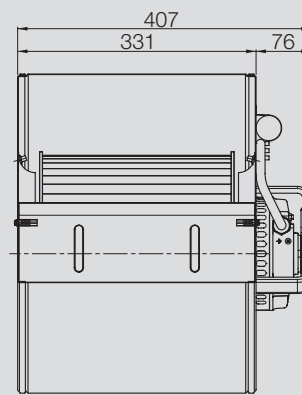
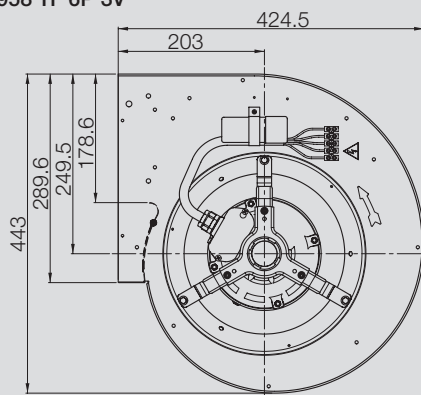
\* = No speed control available

[HI] High speed, [ME] Medium speed, [LO] Low speed

**Attention!** We suggest to do not use the fan in the grey marked area! The noise ratings given in the performance curves are sound power level  $L_{WA7}$ , see „Technical Description“.

### Dimensions in mm, subject to change.

#### DD 10/10 M958 1F 6P 3V



#### DD 10/10 M940 1F 6P 3V

