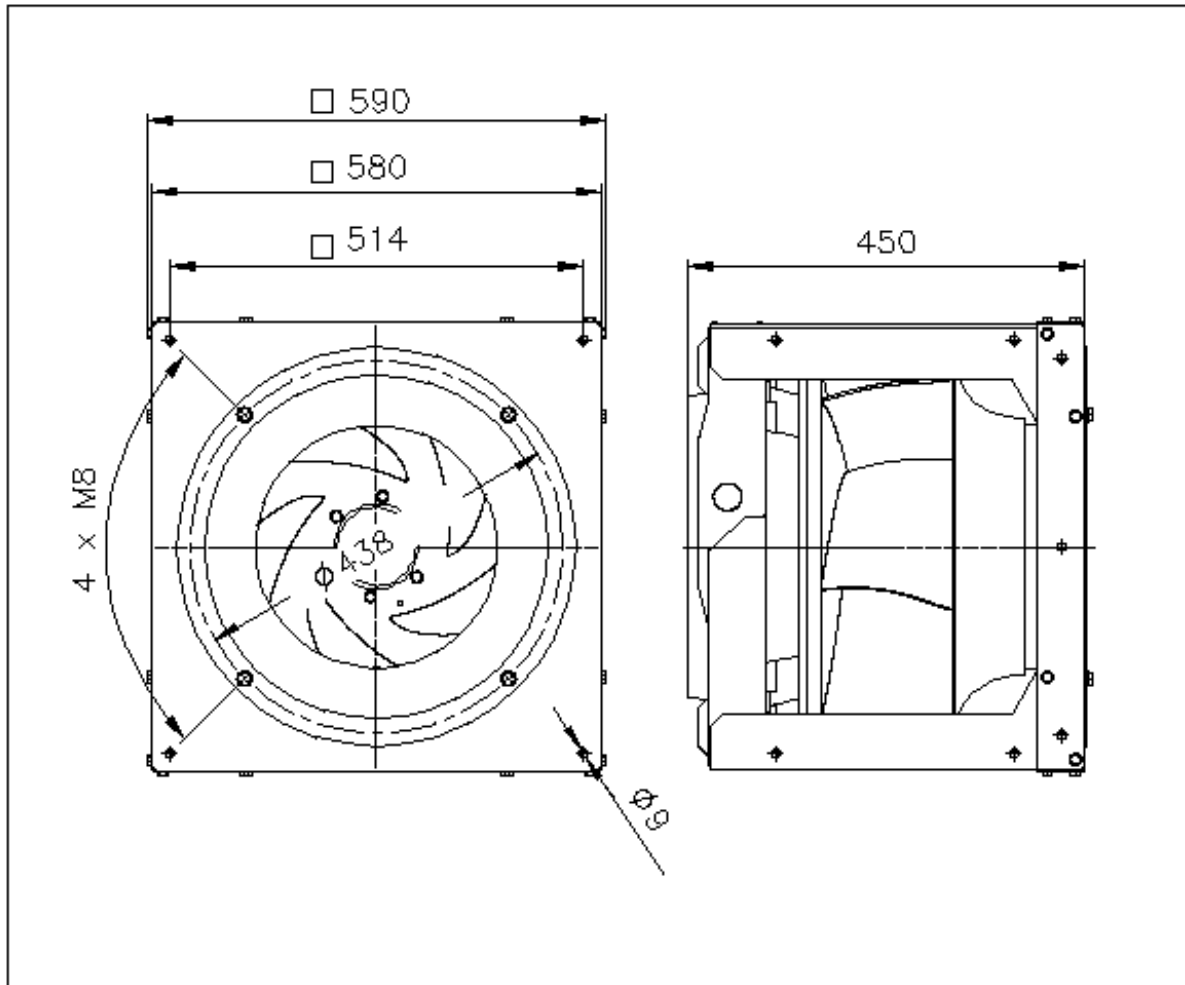


**Technical data of the fan: COPRA PA-C45-JM56-C0000**

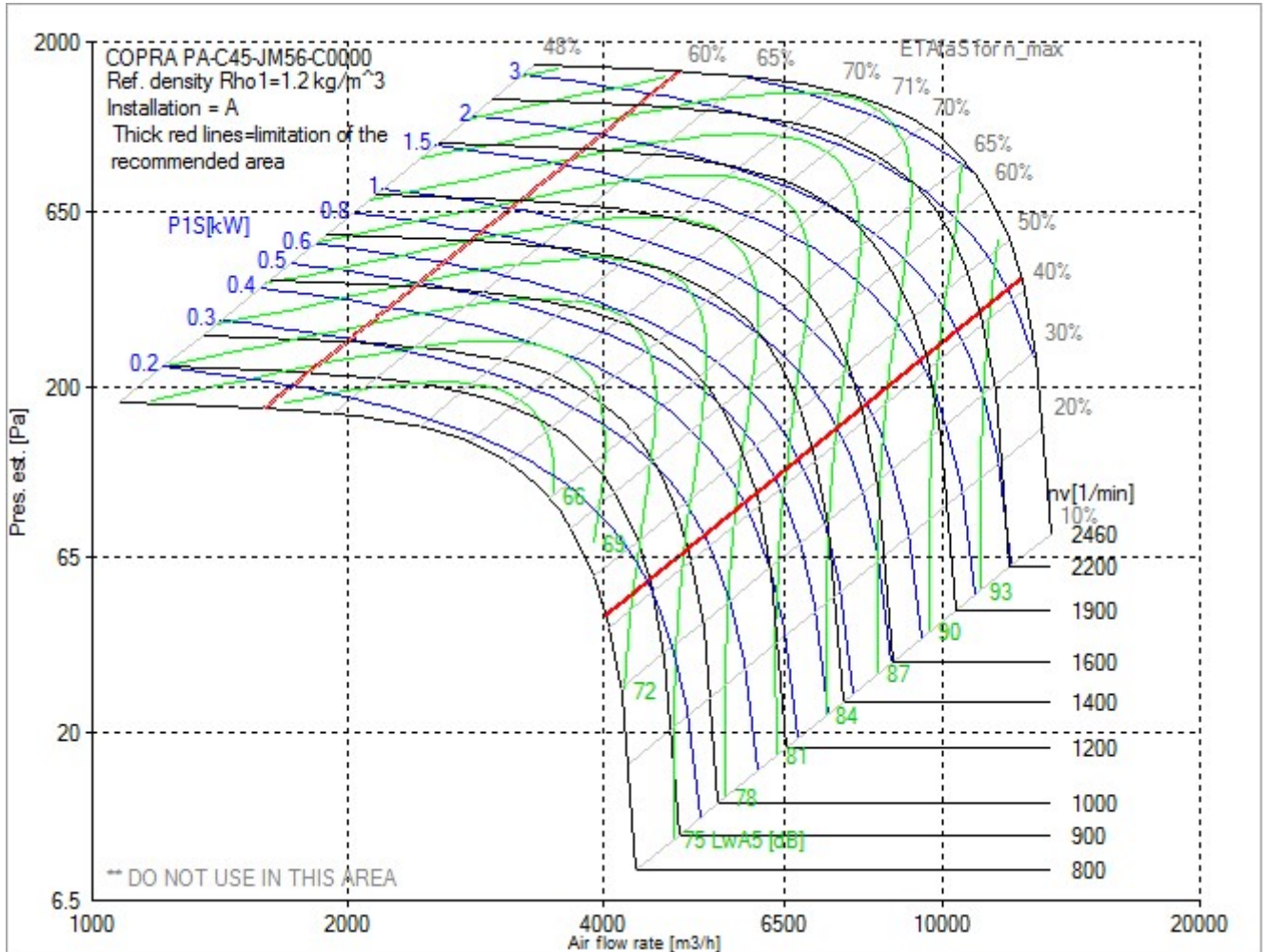
fulfills the ErP requirements 2015

Description	Value	Dimension
Fan weight	41	kg
<b>Feed data</b>		
Main's frequency ( $f_N$ )	50/60	Hz
Voltage ( $U_N$ )	3~	400 V
Phases-Voltage-Frequency	3~400-50	V-Hz
<b>operational limits</b>		
Max. fan speed ( $n_{vmax}$ )	2460	min <sup>-1</sup>
Max. absorbed power of the system ( $P_{maxS}$ )	4.40	kW
max. current: Inverter out resp. control unit in ( $I_{max}$ )	6.7	A
Temperature range for conveying medium ( $t_{min} \dots t_{max}$ )	-20...40	C
<b>ErP-Data at best efficiency and density - kg/m<sup>3</sup></b>		
measurement- / efficiency category	A / static	
design status of VSD	VSD is integrated	
overall efficiency ( $ETA_{opt}$ )	73.7	%
achieved efficiency grade ( $N_{ist}$ )	77.6	
required efficiency grade in 2013 / 2015 (N)	58 / 62	
Air flow rate ( $V_{opt}$ )	8529	m <sup>3</sup> /h
pressure rise ( $dp_{opt}$ )	1317	Pa
Fan speed ( $n_{vopt}$ )	2460	min <sup>-1</sup>
motor power input ( $P_{1opt}$ )	4.24	kW
specific ratio ( $d_{dpopt}$ )	1.013	

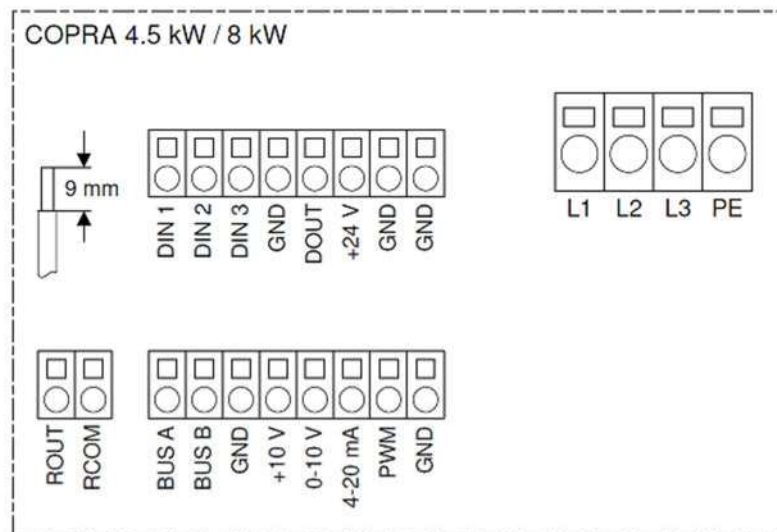
**Dimensions**



Fan curve to COPRA PA-C45-JM56-C0000



Wiring diagram



15-07-22 641