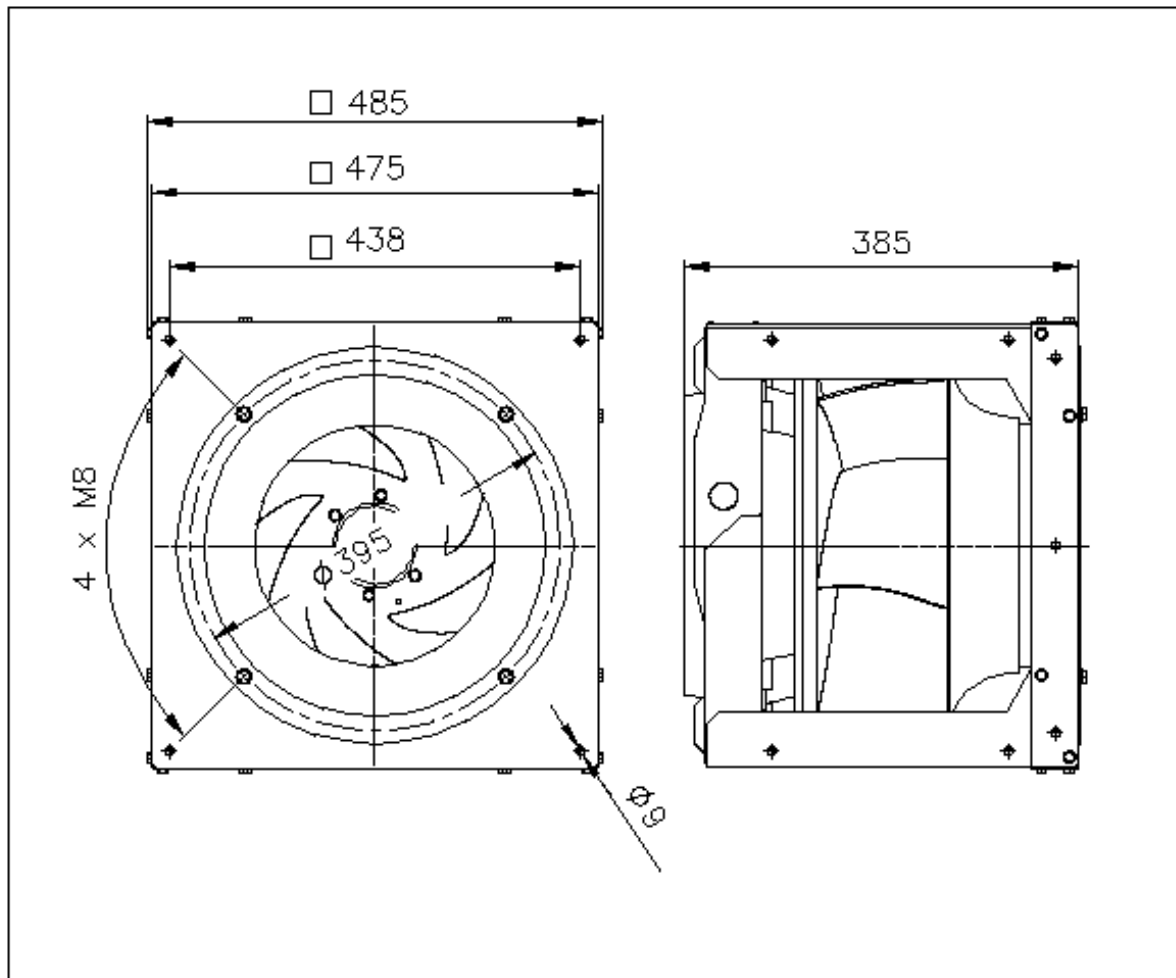


Technical data of the fan: COPRA PA-C40-ER56-C0000

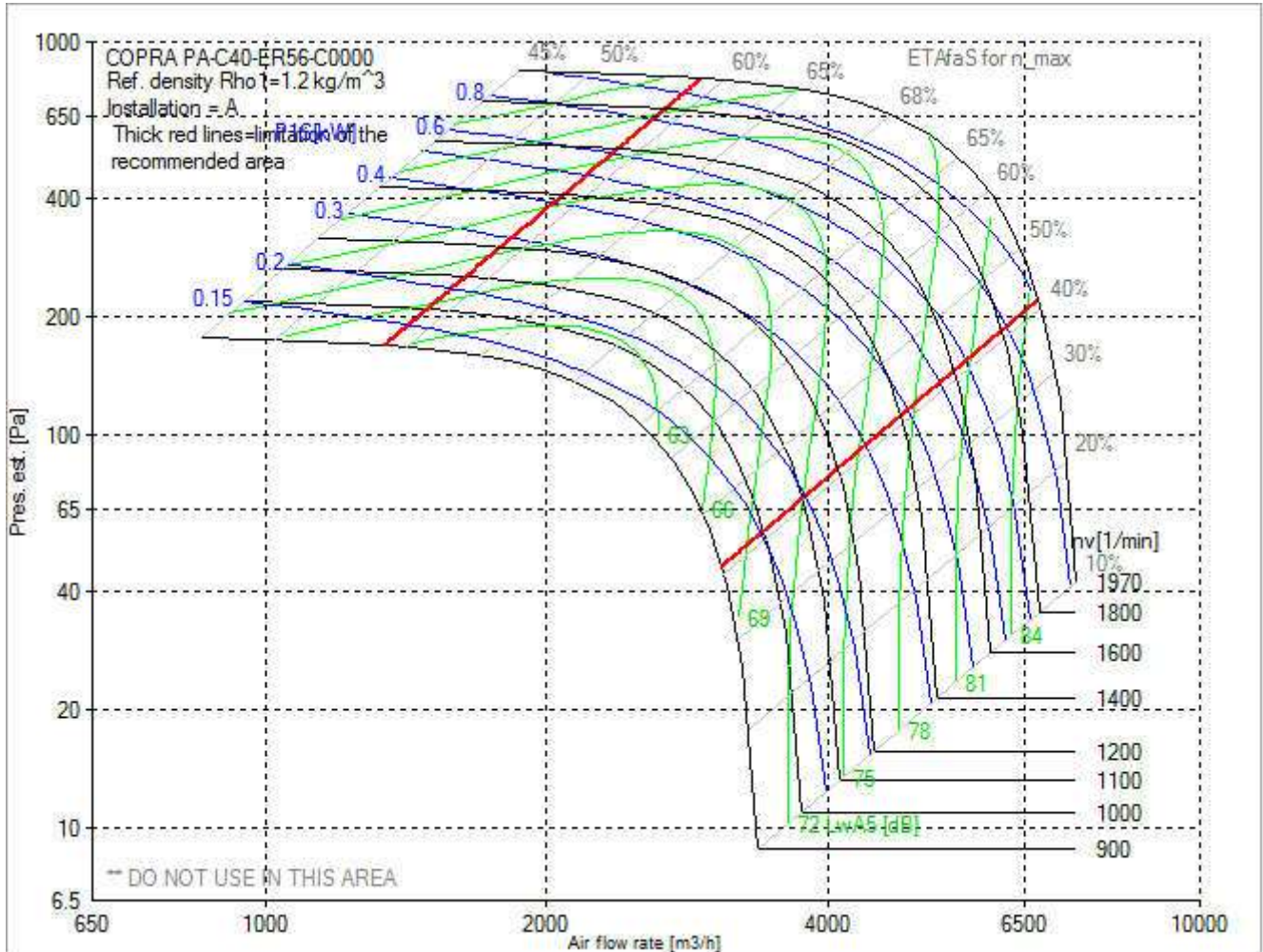
fulfills the ErP requirements 2015

| Description | Value | Dimension |
|--|-------------------|-------------------|
| Fan weight | 27 | kg |
| Feed data | | |
| Main's frequency (f_N) | 50/60 | Hz |
| Voltage (U_N) | 3~ | 400 V |
| Phases-Voltage-Frequency | 3~400-50 | V-Hz |
| operational limits | | |
| Max. fan speed (n_{vmax}) | 1970 | min ⁻¹ |
| Max. absorbed power of the system (P_{maxS}) | 1.30 | kW |
| max. current: Inverter out resp. control unit in (I_{max}) | 2.0 | A |
| Temperature range for conveying medium ($t_{min} \dots t_{max}$) | -20...40 | C |
| ErP-Data at best efficiency and density - kg/m³ | | |
| measurement- / efficiency category | A / static | |
| design status of VSD | VSD is integrated | |
| overall efficiency (η_{Aopt}) | 74.0 | % |
| achieved efficiency grade (N_{ist}) | 83.9 | |
| required efficiency grade in 2013 / 2015 (N) | 58 / 62 | |
| Air flow rate (V_{opt}) | 4685 | m ³ /h |
| pressure rise (dp_{opt}) | 656 | Pa |
| Fan speed (n_{vopt}) | 1970 | min ⁻¹ |
| motor power input (P_{1opt}) | 1.15 | kW |
| specific ratio (d_{dpopt}) | 1.007 | |

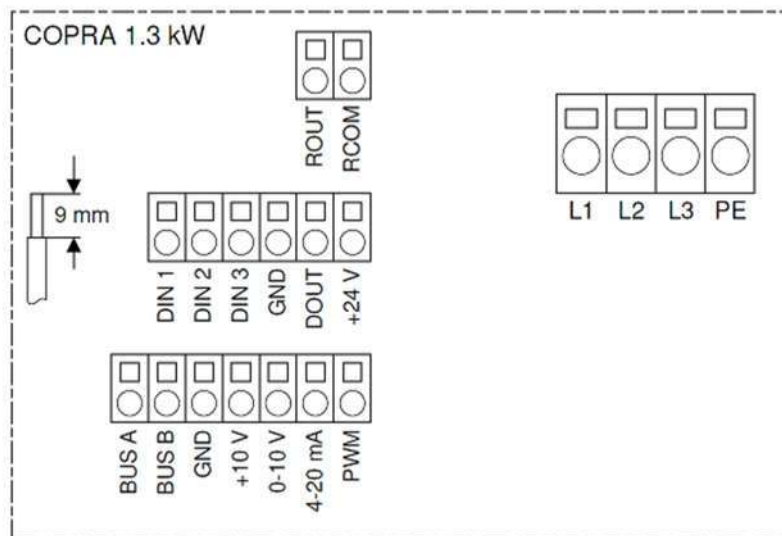
Dimensions



Fan curve to COPRA PA-C40-ER56-C0000



Wiring diagram



13-07-22 640