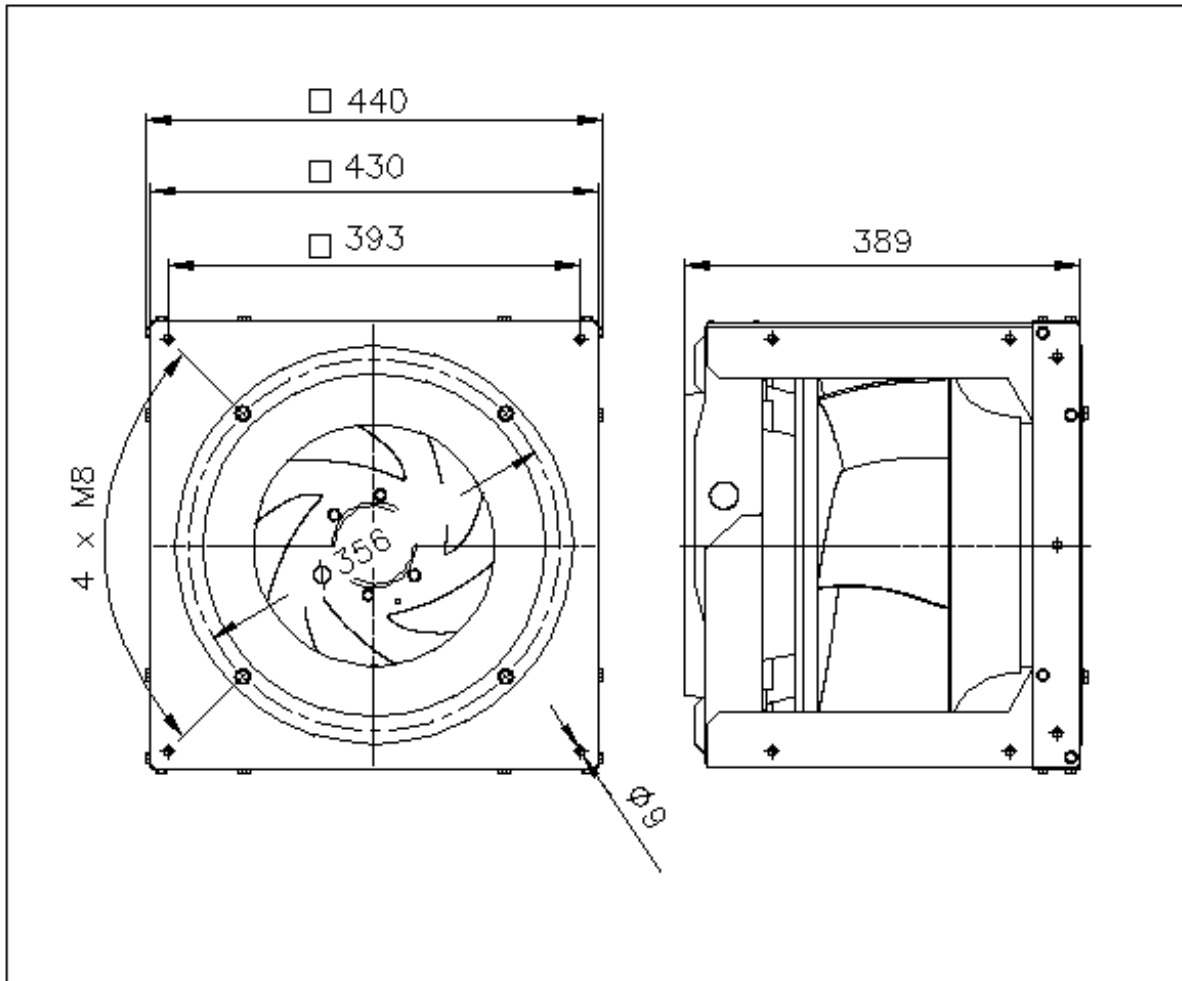


Technical data of the fan: COPRA PA-C35-JE56-C0000

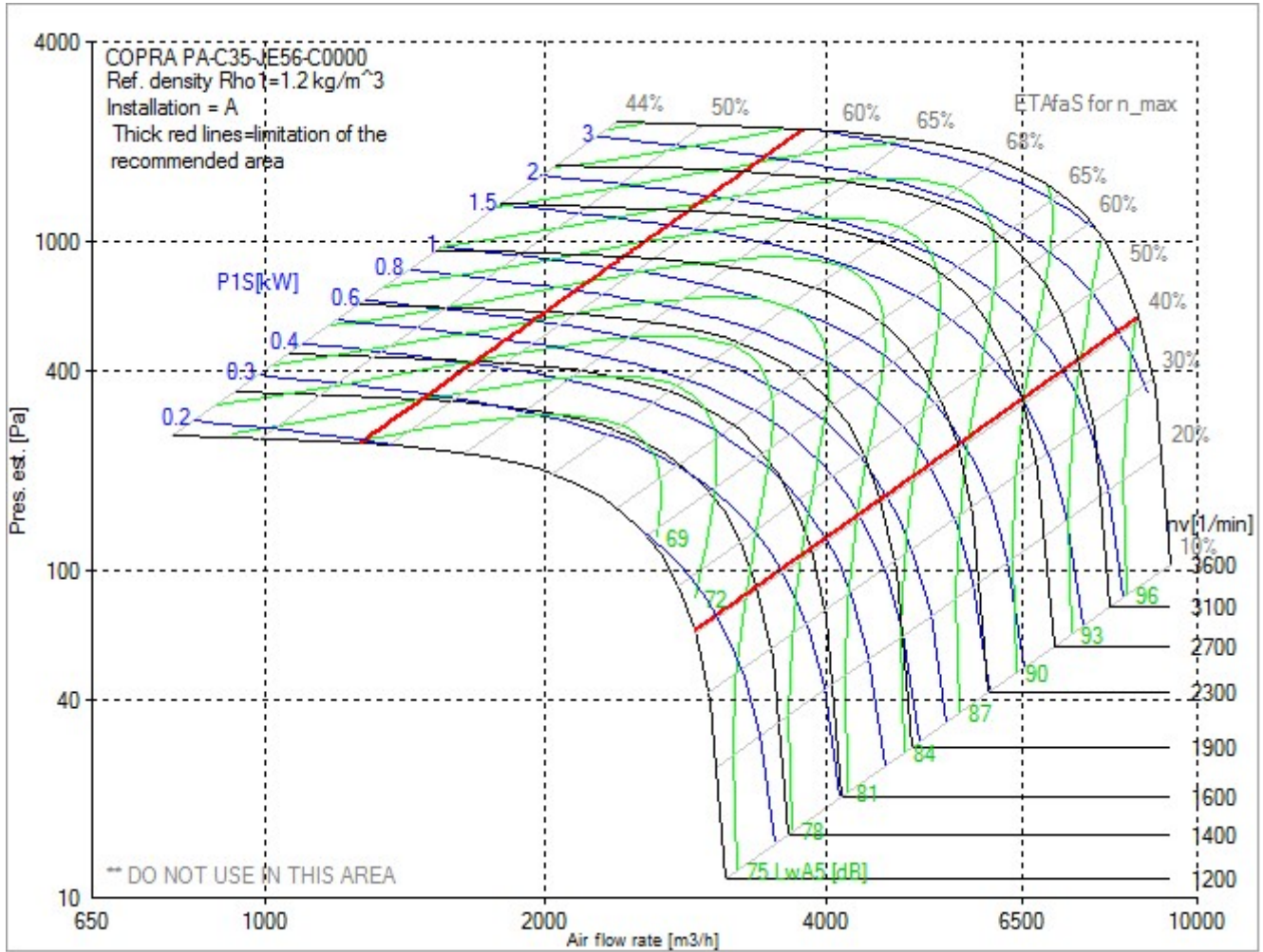
fulfills the ErP requirements 2015

Description	Value	Dimension
Fan weight	33	kg
Feed data		
Main's frequency (f_N)	50/60	Hz
Voltage (U_N)	3~	400 V
Phases-Voltage-Frequency	3~400-50	V-Hz
operational limits		
Max. fan speed (n_{vmax})	3600	min ⁻¹
Max. absorbed power of the system (P_{maxS})	4.40	kW
max. current: Inverter out resp. control unit in (I_{max})	6.8	A
Temperature range for conveying medium ($t_{min} \dots t_{max}$)	-20...40	C
ErP-Data at best efficiency and density - kg/m³		
measurement- / efficiency category	A / static	
design status of VSD	VSD is integrated	
overall efficiency (η_{Aopt})	71.0	%
achieved efficiency grade (N_{ist})	74.9	
required efficiency grade in 2013 / 2015 (N)	58 / 62	
Air flow rate (V_{opt})	6104	m ³ /h
pressure rise (dp_{opt})	1762	Pa
Fan speed (n_{vopt})	3600	min ⁻¹
motor power input (P_{1opt})	4.21	kW
specific ratio (d_{dpopt})	1.018	

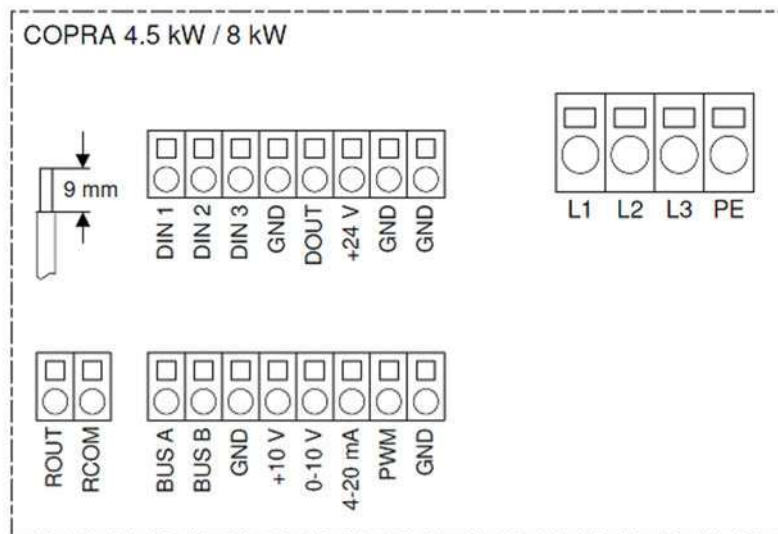
Dimensions



Fan curve to COPRA PA-C35-JE56-C0000



Wiring diagram



15-07-22 641