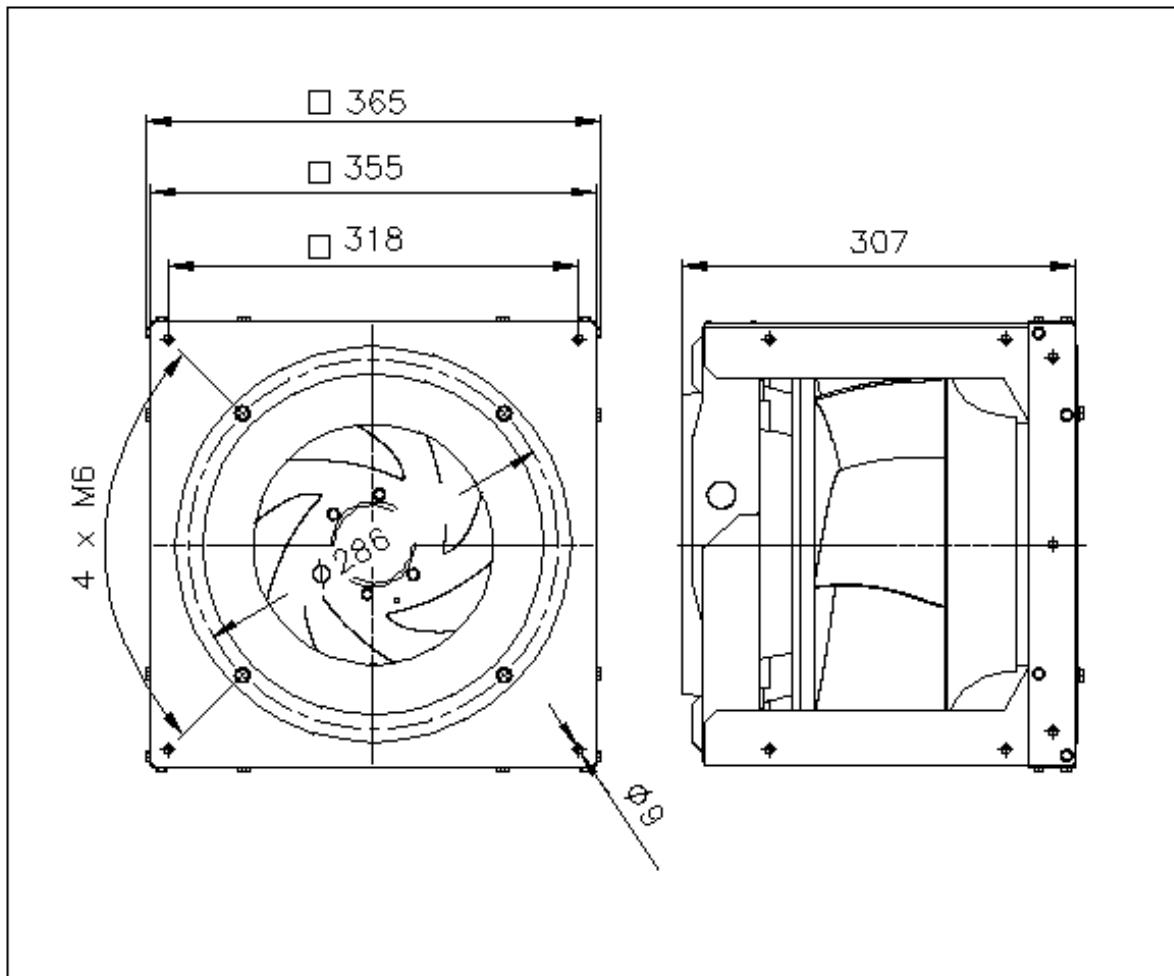


Technical data of the fan: COPRA PA-C28-EF56-C0000

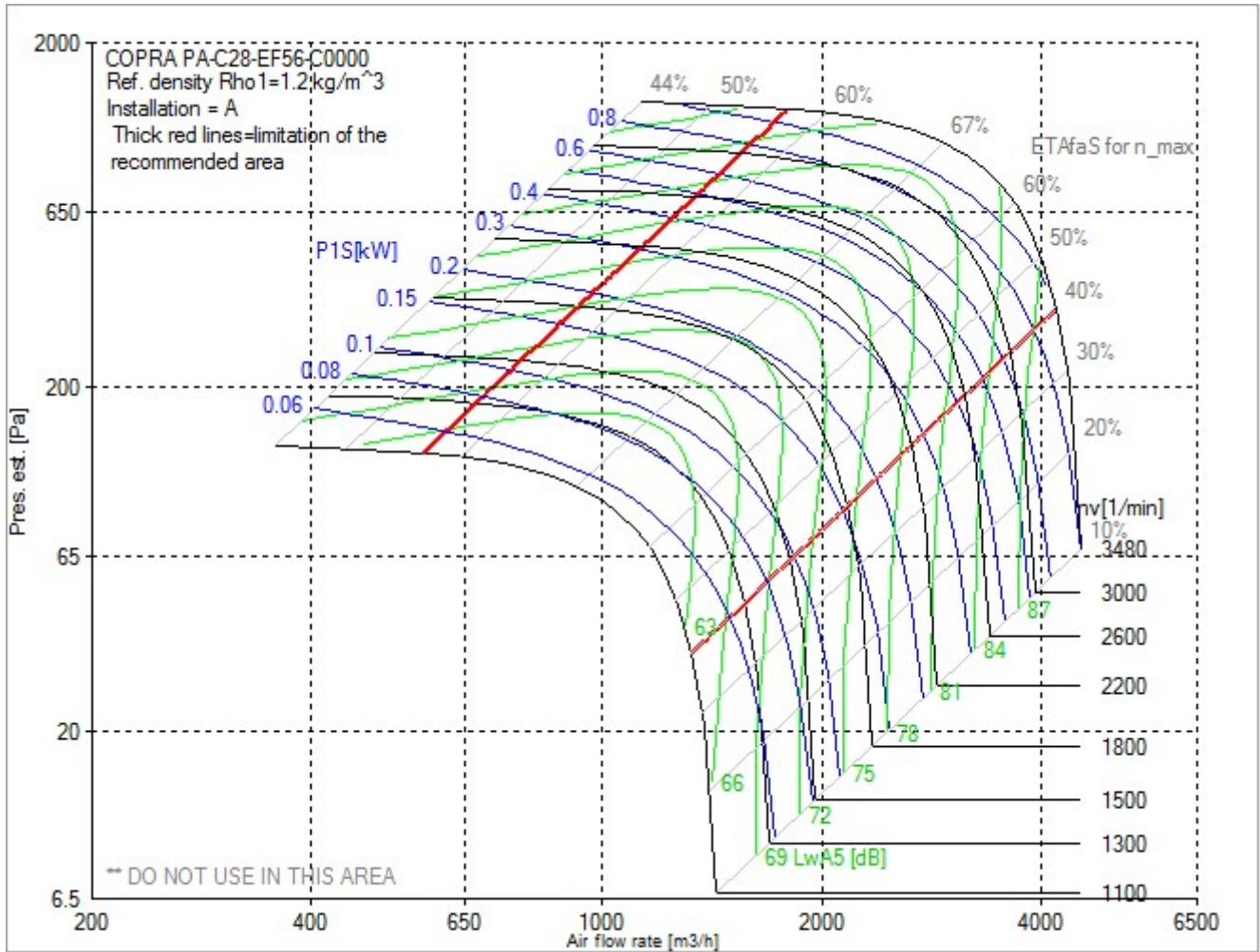
fulfills the ErP requirements 2015

Description	Value	Dimension
Fan weight	22	kg
Feed data		
Main's frequency (f_N)	50/60	Hz
Voltage (U_N)	3~	400 V
Phases-Voltage-Frequency	3~400-50	V-Hz
operational limits		
Max. fan speed (n_{vmax})	3480	min ⁻¹
Max. absorbed power of the system (P_{maxS})	1.30	kW
max. current: Inverter out resp. control unit in (I_{max})	2.0	A
Temperature range for conveying medium ($t_{min} \dots t_{max}$)	-20...40	C
ErP-Data at best efficiency and density - kg/m³		
measurement- / efficiency category	A / static	
design status of VSD	VSD is integrated	
overall efficiency (η_{Aopt})	72.1	%
achieved efficiency grade (N_{ist})	81.9	
required efficiency grade in 2013 / 2015 (N)	58 / 62	
Air flow rate (V_{opt})	2929	m ³ /h
pressure rise (dp_{opt})	1031	Pa
Fan speed (n_{vopt})	3480	min ⁻¹
motor power input (P_{1opt})	1.16	kW
specific ratio (d_{dpopt})	1.010	

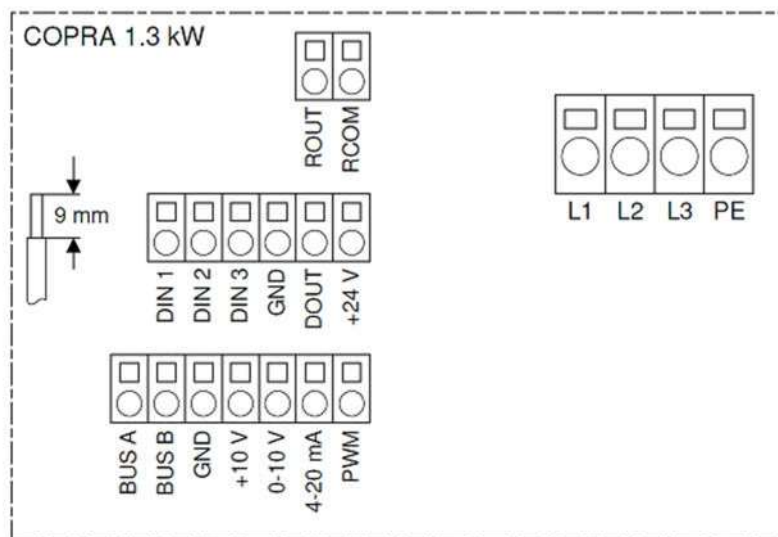
Dimensions



Fan curve to COPRA PA-C28-EF56-C0000



Wiring diagram



13-07-22 640