

# Plastic radial fans

## VRE 315

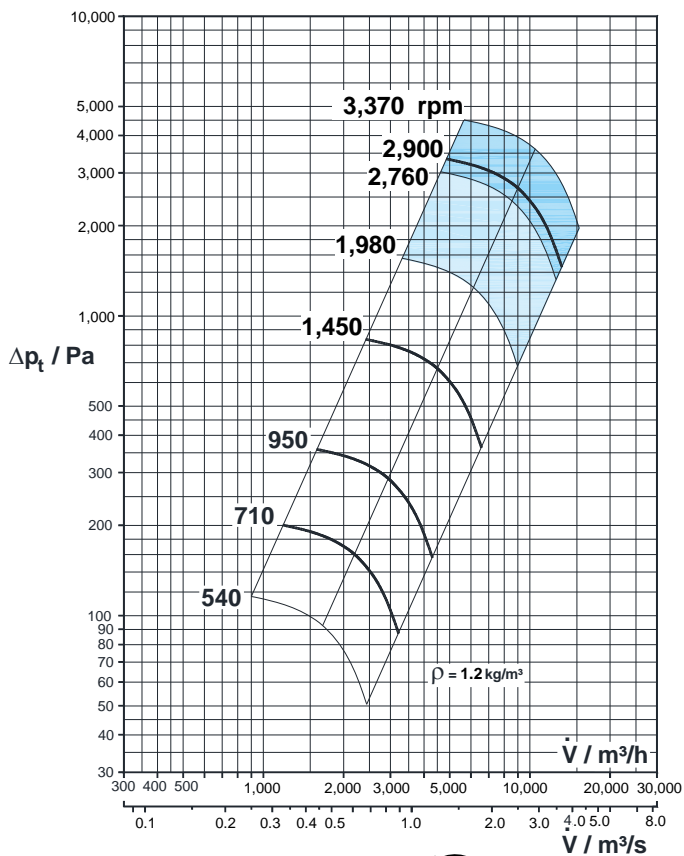
### Diagrams



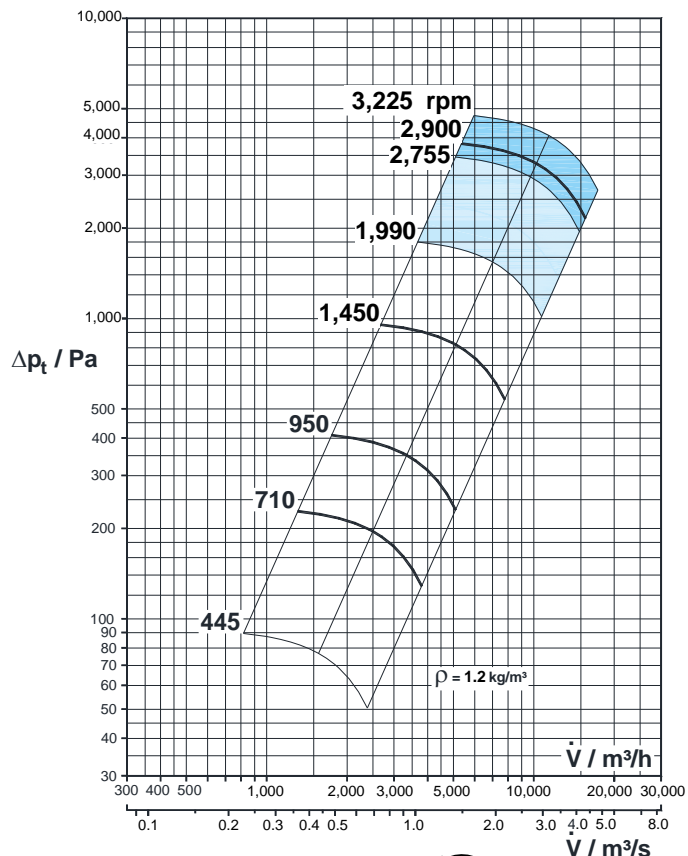
DE WIT  
ventilatoren



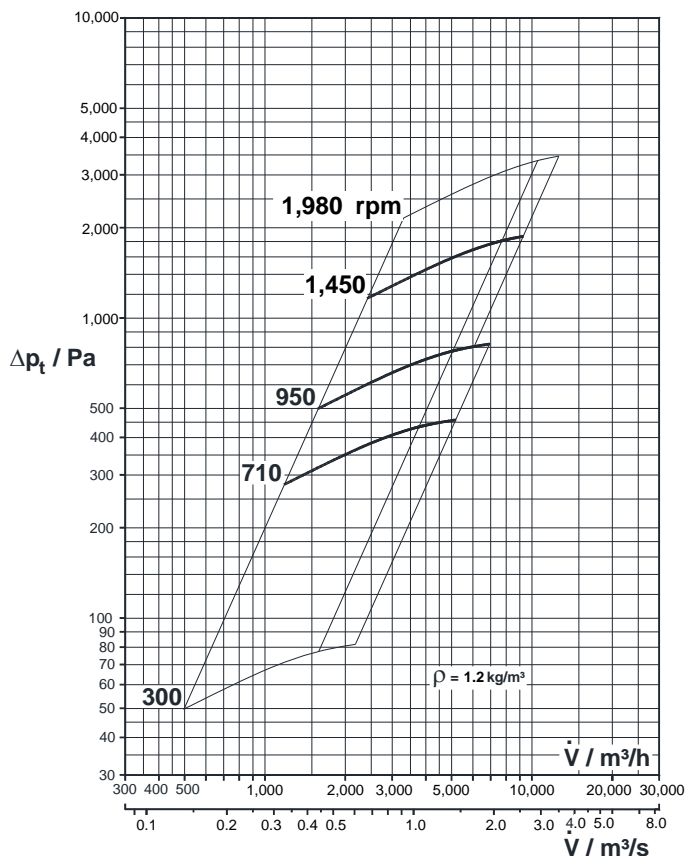
Impeller type 731



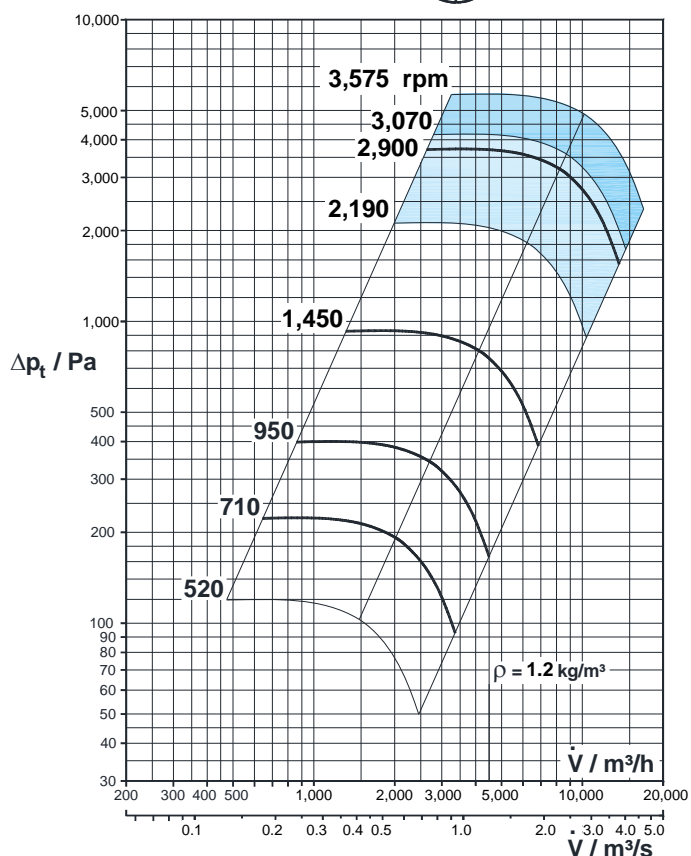
Impeller type 733



Impeller type 734



Impeller type 673



Impeller materials:

PPs, PPsX, PVC, PVDF



GFRP



CFRP



### MOTOR VARIANTS for standard motor 3~400V/50Hz

(Data for other motor types e.g. single phase motors, pole changing motors or Ex motors on request)

Fan type	Speed rpm	Power require- ment kW	Nominal motor power kW	Nominal motor current A	Weight with Motor kg	L <sub>A3m</sub> dB(A)	L <sub>WA</sub> dB(A)	Octave level L <sub>WA-Ok1</sub> / dB(A)								ErP cate- gory D-total
								63	125	250	500	1000	2000	4000	8000	
VRE 315/731W710	710	0.146	0.18	0.78	68	48	65	53	59	58	60	58	53	45	38	- <sup>3)</sup>
VRE 315/731W950	950	0.35	0.37	1.16	68	53	71	59	64	65	66	64	60	56	44	- <sup>3)</sup>
VRE 315/731W1450	1,450	1.25	1.5	3.40	78	62	80	65	69	75	74	72	67	62	51	Level 2 <sup>4)</sup>
VRE 315/731W2900	2,900	9.97	11.0	19.60	147	77	95	81	86	91	90	87	82	76	65	Level 2 <sup>5)</sup>
VRE 315/731W2900	3,370 <sup>1)</sup>	14.2	15.0	27.00	156	80	98	85	89	94	93	90	85	79	68	Level 2 <sup>5)</sup>
VRE 315/733W710	710	0.235	0.25	1.06	69	51	68	57	64	58	61	59	54	46	41	- <sup>3)</sup>
VRE 315/733W950	950	0.563	0.75	1.98	76	56	74	62	69	66	67	65	61	57	48	Level 2 <sup>4)</sup>
VRE 315/733W1450	1,450	2.0	2.2	4.60	85	65	83	69	74	79	76	74	69	64	56	Level 2 <sup>4)</sup>
VRE 315/733W2900	2,900	16.0	18.5	32.00	170	80	98	86	90	95	91	89	83	78	70	Level 2 <sup>5)</sup>
VRE 315/733W2900	3,225 <sup>1)</sup>	22.0	22.0	38.00	218	83	101	89	93	98	94	91	86	80	72	Level 2 <sup>6)</sup>
VRE 315/734W710	710	1.05	1.1	3.00	83	55	72	57	60	65	69	64	59	55	43	Level 2
VRE 315/734W950	950	2.51	3.0	7.00	102	61	78	63	66	71	76	68	63	57	47	Level 2 <sup>4)</sup>
VRE 315/734W1450	1,450	7.37	7.5	14.30	128	68	87	71	75	77	81	82	76	72	59	Level 2 <sup>5)</sup>
VRE 315/734W1450	1,955 <sup>1)</sup>	18.3	18.5	35.00	238	78	94	79	84	85	89	90	84	80	66	Level 2 <sup>5)</sup>
VRE 315/673W710	710	0.172	0.18	0.78	67	48	65	55	60	59	58	57	50	44	36	- <sup>3)</sup>
VRE 315/673W950	950	0.413	0.55	1.59	68	54	71	61	65	65	64	63	56	50	42	Level 2
VRE 315/673W1450	1,450	1.47	1.5	3.40	77	62	80	70	73	75	72	69	66	58	50	Level 2 <sup>4)</sup>
VRE 315/673W2900	2,900	11.7	15.0	27.00	156	78	96	81	90	91	90	86	81	76	66	Level 2 <sup>4)</sup>
VRE 315/673W2900	3,575 <sup>1)</sup>	22.0	22.0	38.00	218	83	101	84	94	96	96	91	86	81	71	Level 2 <sup>6)</sup>

1) - during operation with frequency converter > 50 Hz

2) - Fan does not fall within scope of ErP directive

3) - Fan for moving aggressive media

4) - When using IE2 motors

5) - When using IE3 motors

6) - When using IE4 motors

L<sub>A3m</sub> = A - evaluated noise level at a distance of 3 m

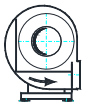
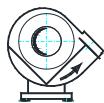


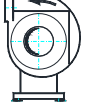
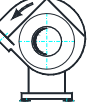
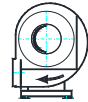
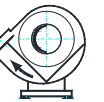


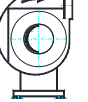

L<sub>WA</sub> = A - evaluated noise level in the channel

### CASING POSITIONS

The fan is available in casing positions **L** (left) and **R** (right), each in 6 different casing positions.

The position of the casing is set by the manufacturer and requires significant effort to change subsequently. The axle height specified with casing position 090R in the dimension drawing remains unchanged.

Corresponding drawings in dxf format are available on the MIETZSCH CD.

					
000L	045L	090L	135L	180L	225L
					
000R	045R	090R	135R	180R	225R

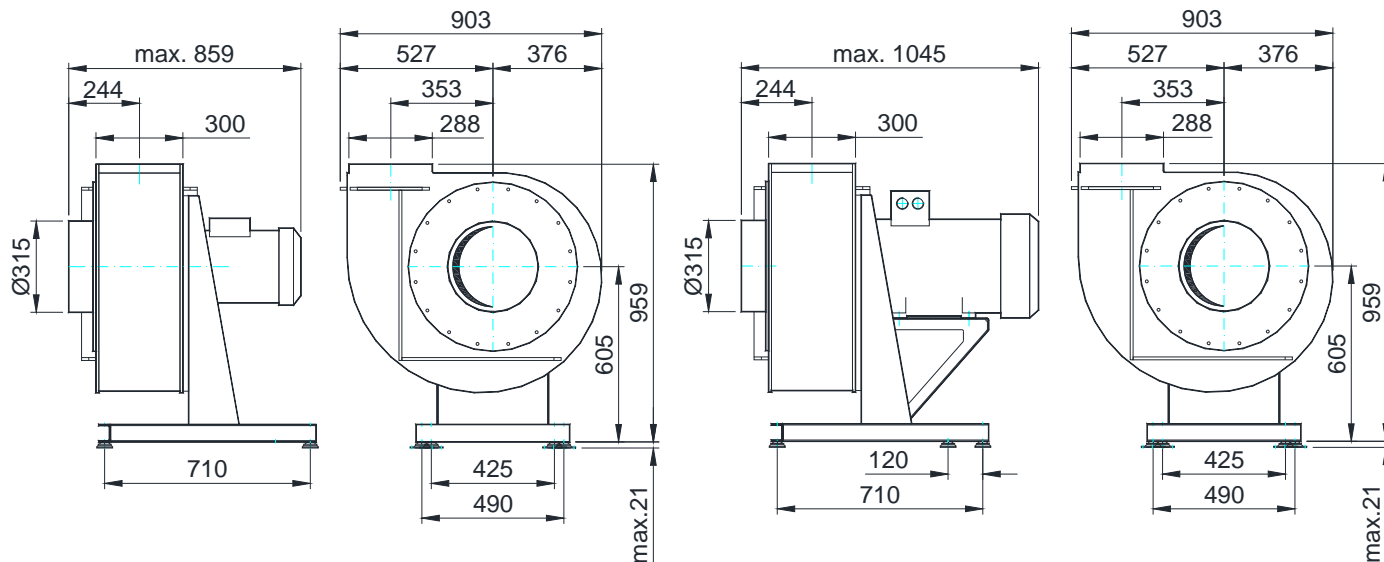
### MAIN DIMENSIONS

#### Casing position 090R

Casing material: PPs, PVC, PE, PEX, PP, PPsX, PVDF

for drive power:  $\leq 15$  kW

$> 15$  kW bis 22 kW

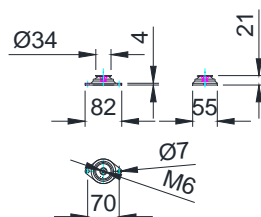


### VIBRATION ISOLATION

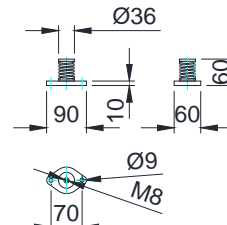
The manufacturer equips all fans with a set of rubber insulators of type 50-50SF that is designed for the size, speed and drive power of the fan.

Stainless steel spring insulators as e.g. type MFI40 can be exploited on special demand if natural frequency and isolation effectiveness require particularly high demands on vibration isolation. Due to the materials used (stainless steel A2 and PE-HD) stainless steel spring insulators can be used in areas sensitive to corrosion and hygiene.

#### Type 50-50 SF



#### Type MFI 40 M8



### FRAME / FLANGE

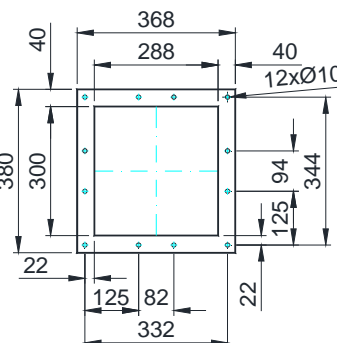
Frame and flange are designed according to MIETZSCH standard MWS 54030 or MWS 53030.

Drilling pattern:

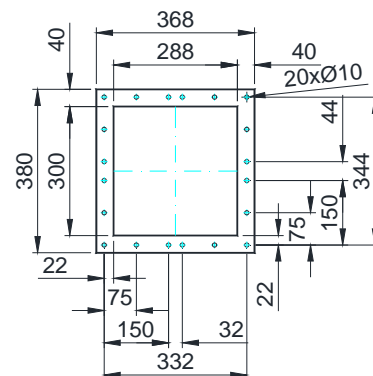
- 0 – undrilled (e.g. F0, KOF0)
- 1 – hole pattern 1 for normal requirements (e.g. KOF1)
- 2 – hole pattern 2 (double the number of screws) for high positive pressures and strong condensation (e.g. F2, KOF2)

Models according to other standards or special designs are possible on request.

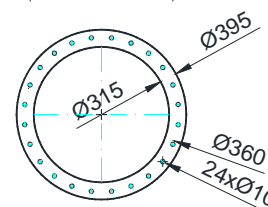
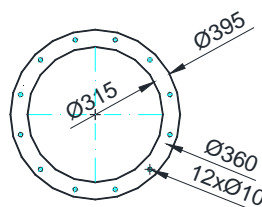
#### Hole pattern 1



#### Hole pattern 2



#### Flange F

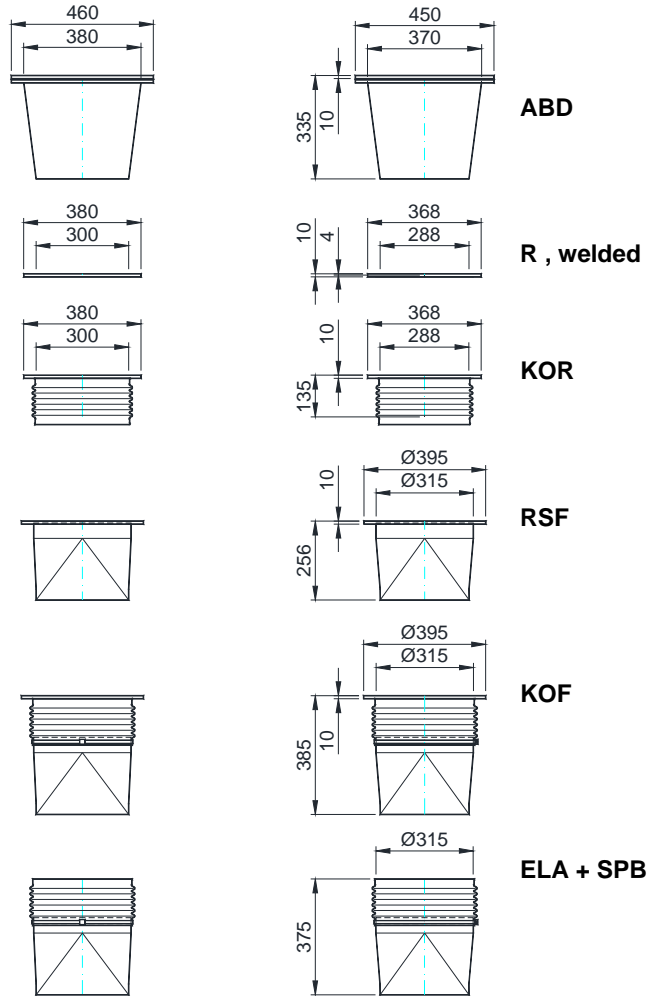


### CASING CONNECTIONS

The basic model of the fan depicted under MAIN DIMENSIONS can be supplemented with a range of accessories and thus adapted optimally to the specific operating conditions. In addition to the standard range, special models and even special designs are possible on request. The variants shown in the dimension drawing therefore only cover the most frequently used casing connections and condensate drains. For detailed information, refer to the SPECIAL DESIGNS and ACCESSORIES sections.

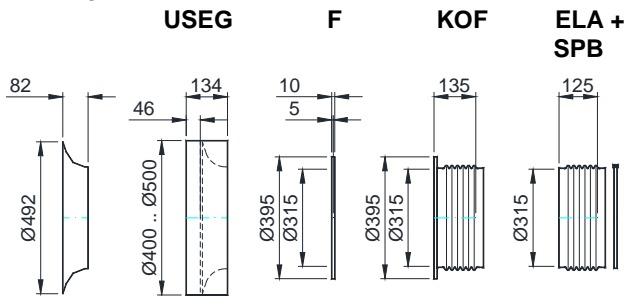
### Pressure side casing connection

Casing material: PPs, PVC, PE, PEX, PP, PPsX, PVDF

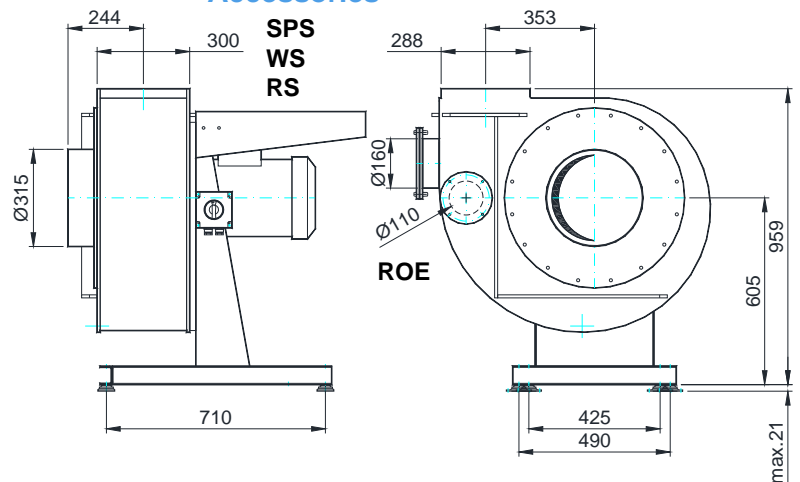


### Suction side casing connection

Casing material: all



### Accessories



### Condensate drain

Casing material: all

