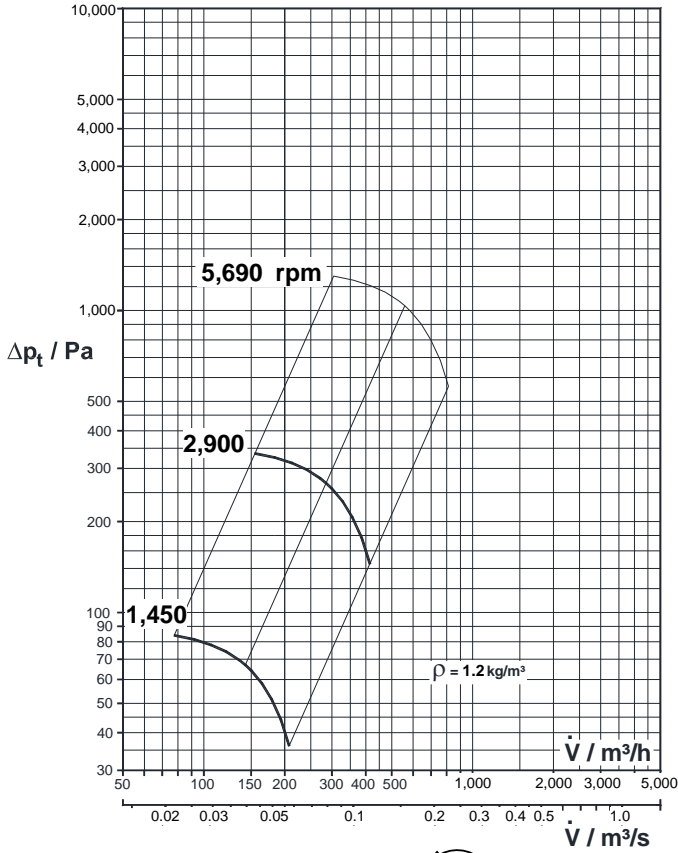
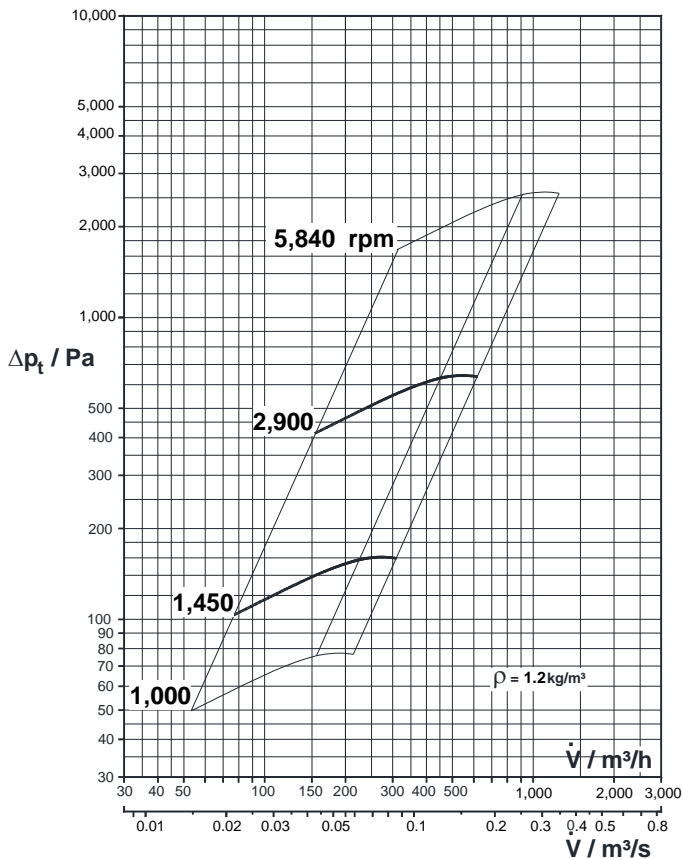




Impeller type 731



Impeller type 734



Impeller materials:

PPs, PPsX, PVC, PVDF



GFRP



CFRP



MOTOR VARIANTS for standard motor 3~400V/50Hz

(Data for other motor types e.g. single phase motors, pole changing motors or Ex motors on request)

Fan type	Speed rpm	Power require- ment kW	Nominal motor power kW	Nominal motor current A	Weight with Motor kg	L _{A3m} dB(A)	L _{WA} dB(A)	Octave level L _{WA} -Okt / dB(A)								ErP cate- gory D-total
								63	125	250	500	1000	2000	4000	8000	
VRE 100/731W1450	1,450	0.004	0.12	0.50	9	45	62	39	43	58	54	54	55	44	37	- ²⁾
VRE 100/731W2900	2,900	0.032	0.18	0.50	9	51	68	52	60	62	63	61	55	46	36	- ²⁾
VRE 100/731W2900	5,690 ¹⁾	0.243	0.25	0.65	10	66	83	61	77	78	78	76	69	60	47	Level 2 ⁴⁾
VRE 100/734W1450	1,450	0.024	0.12	0.43	9	45	61	42	56	56	53	56	47	39	23	- ²⁾
VRE 100/734W2900	2,900	0.180	0.18	0.50	10	55	73	58	66	68	64	67	65	52	43	Level 2 ⁴⁾
VRE 100/734W2900	5,840 ¹⁾	1.550	2.20	4.40	25	70	88	67	77	84	80	82	80	66	57	Level 2 ⁴⁾

¹⁾ - during operation with frequency converter > 50 Hz

²⁾ - Fan does not fall within scope of ErP directive

³⁾ - Fan for moving aggressive media

⁴⁾ - When using IE2 motors

⁵⁾ - When using IE3 motors

⁶⁾ - When using IE4 motors

L_{A3m} = A - evaluated noise level at a distance of 3 m

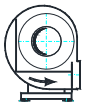
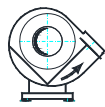
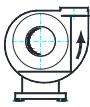

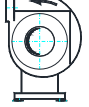
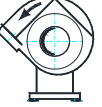
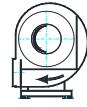
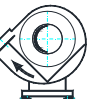


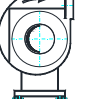
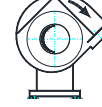
L_{WA} = A - evaluated noise level in the channel

CASING POSITIONS

The fan is available in casing positions **L** (left) and **R** (right), each in 6 different casing positions.

The position of the casing is set by the manufacturer and requires significant effort to change subsequently. The axle height specified with casing position 090R in the dimension drawing remains unchanged.

Corresponding drawings in dxf format are available on the MIETZSCH CD.

					
000L	045L	090L	135L	180L	225L
					
000R	045R	090R	135R	180R	225R

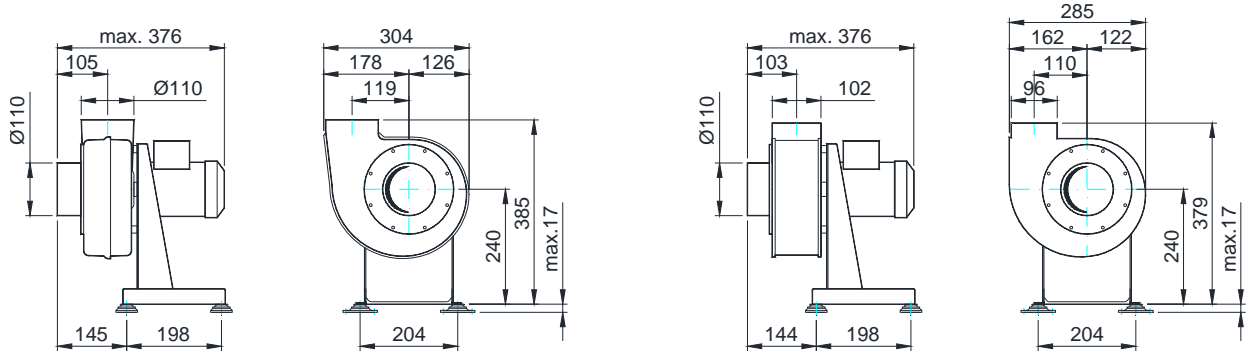
Technical data

MAIN DIMENSIONS

for drive power $\leq 0,55$ kW – Casing position 090R

Casing material: PPs, PVC

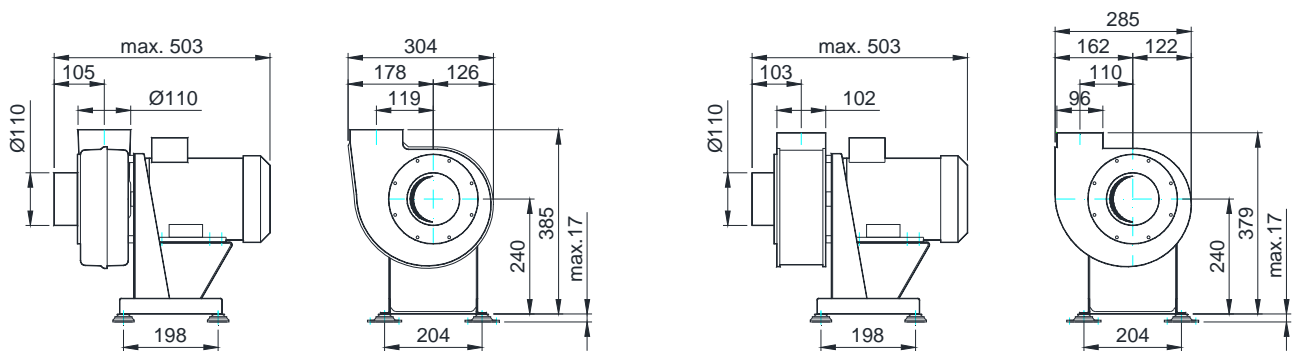
Casing material: PE, PEX, PP, PPsX, PVDF



for drive power $> 0,55$ kW bis 2,2 kW – Casing position 090R

Casing material: PPs, PVC

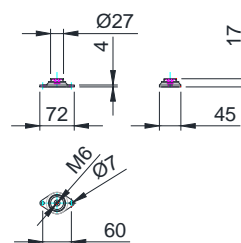
Casing material: PE, PEX, PP, PPsX, PVDF



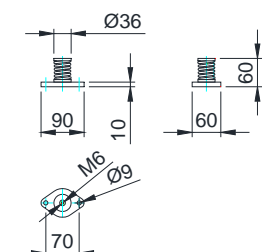
VIBRATION ISOLATION

The manufacturer equips all fans with a set of rubber insulators of type 40-25SF that is designed for the size, speed and drive power of the fan. Stainless steel spring insulators as e.g. type MFI20 can be exploited on special demand as if natural frequency and isolation effectiveness require particularly high demands on vibration isolation. Due to the materials used (stainless steel A2 and PE-HD) stainless steel spring insulators can be used in areas sensitive to corrosion and hygiene.

Type 40-25 SF



Type MFI 20 M6



FRAME / FLANGE

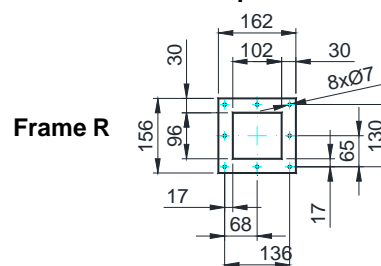
Frame and flange are designed according to MIETZSCH standard MWS 54030 or MWS 53030.

Drilling pattern:

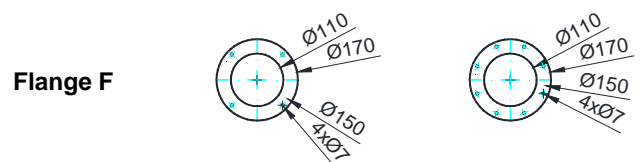
- 0 – undrilled (e.g. F0, KOF0)
- 1 – hole pattern 1 for normal requirements (e.g. KOF1)
- 2 – hole pattern 2 (double the number of screws) for high positive pressures and strong condensation (e.g. F2, KOF2)

Models according to other standards or special designs are possible on request.

Hole pattern 1



Hole pattern 2



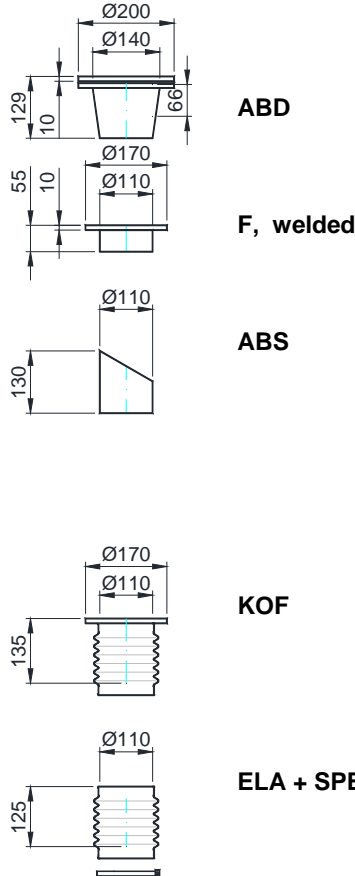
Flange F

CASING CONNECTIONS

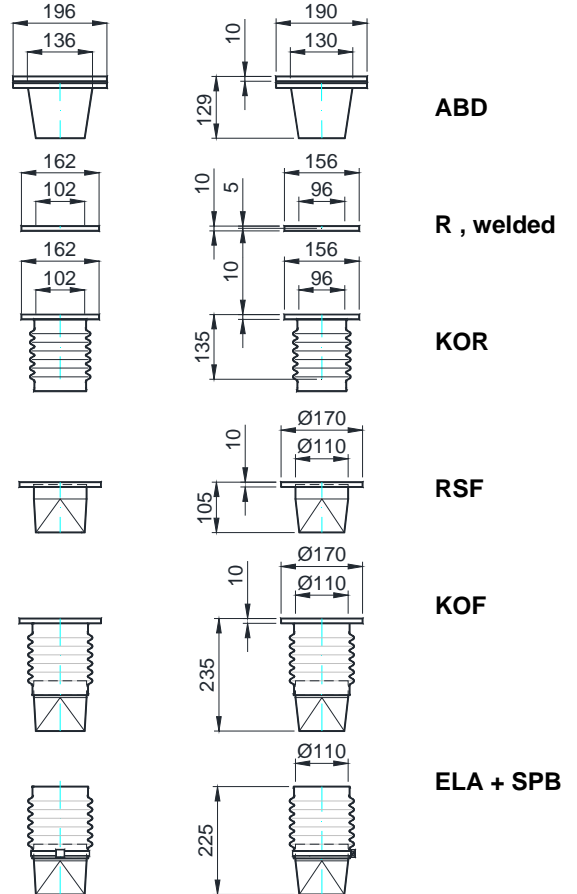
The basic model of the fan depicted under MAIN DIMENSIONS can be supplemented with a range of accessories and thus adapted optimally to the specific operating conditions. In addition to the standard range, special models and even special designs are possible on request. The variants shown in the dimension drawing therefore only cover the most frequently used casing connections and condensate drains. For detailed information, refer to the SPECIAL DESIGNS and ACCESSORIES sections.

Pressure side casing connection

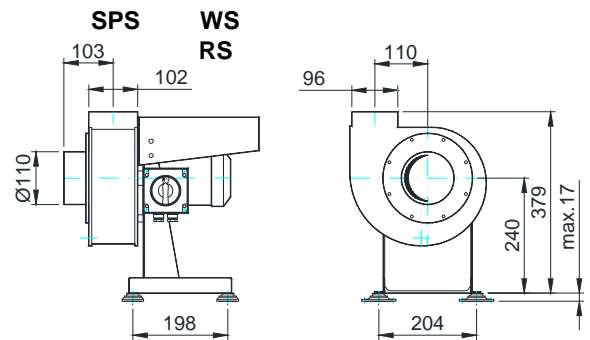
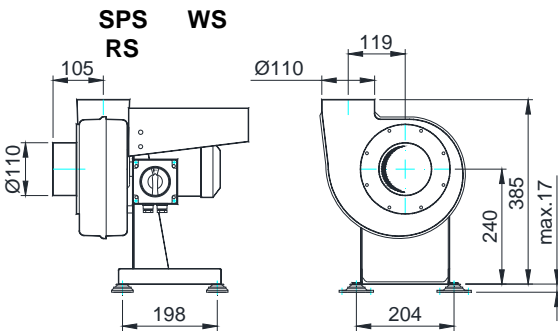
Casing material: PPs, PVC



Casing material: PE, PEX, PP, PPsX, PVDF

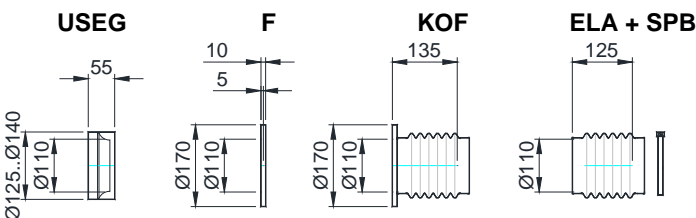


Accessories



Suction side casing connection

Casing material: all



Condensate drain

Casing material: all

