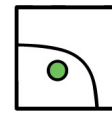
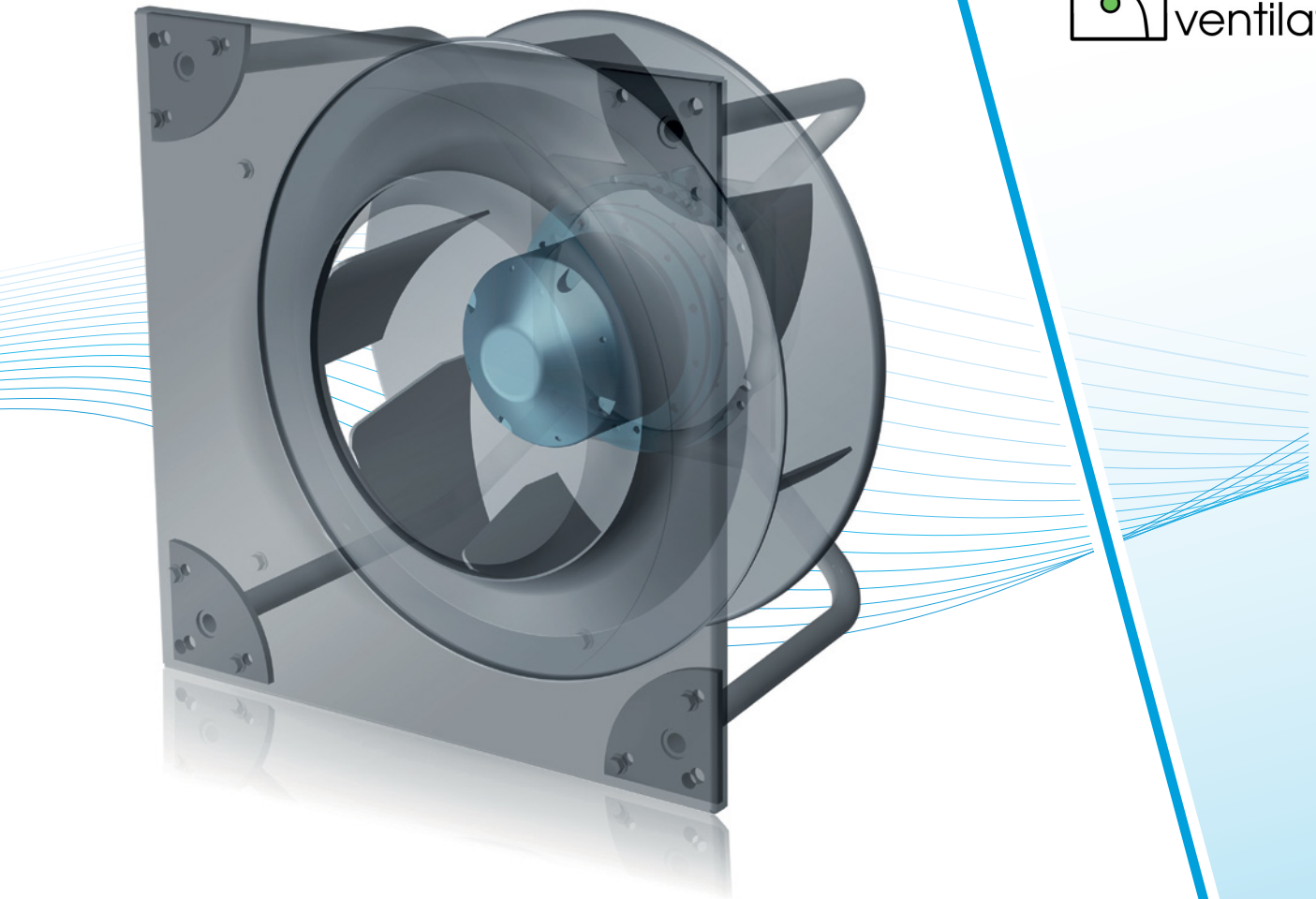


NICOTRA|Gebhardt®



DE WIT  
ventilatoren



# PFP (RLE)

THE COMPACT LIGHTWEIGHT



[www.dewitventilatoren.nl](http://www.dewitventilatoren.nl)



Official Supplier Nicotra Gebhardt

# THE COMPACT LIGHTWEIGHT

## THE ULTRA COMPACT (EC) PLUG FAN WITH FORWARD CURVED BLADES (PFP) COMPLETES THE NICOTRA GEBHARDT LINE OF FANS.

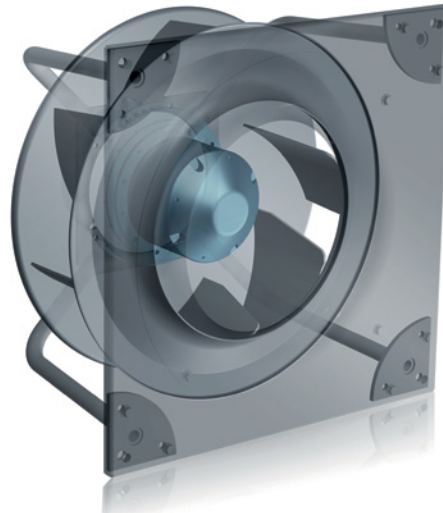
Beyond the existing plug fan range with backward curved hollow profile blades (RLE), Regal has developed an additional range of permanent magnet external-rotor motor (EC) plug fans.

The PFP, with outstanding combination of efficient drive system and aerodynamics, is the ideal solution for medium-pressure applications. The PFP range completes the offer of existing low pressure and high pressure high efficiency fan ranges RLM, RLE and RQM.

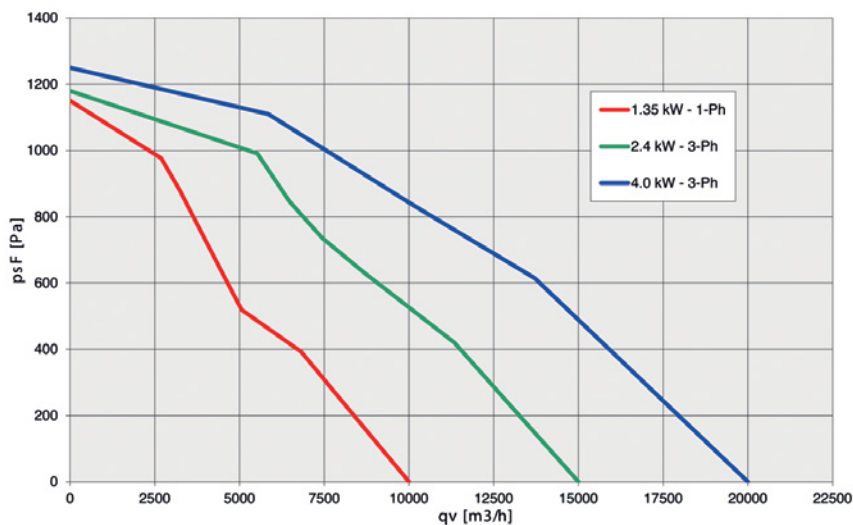
There now is a perfect solution from the Nicotra Gebhardt product range for any fan application.

## THE NEW IMPELLER IS SPECIFICALLY SELECTED FOR OPTIMUM PERFORMANCE IN THE PFP APPLICATION:

- Lightweight high-efficiency aluminium impeller.
- Optimised for medium pressure applications.
- Reduced losses due to motor influence.
- Low interference loss with fan enclosure.



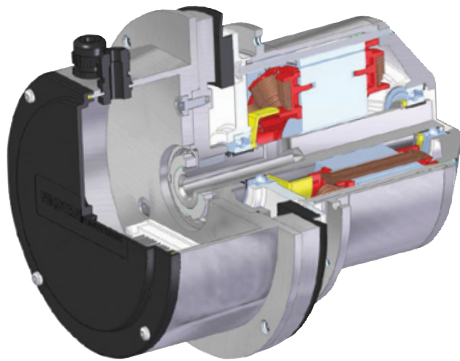
## PFP RANGE - PLANNED EXPANSION OF THE PERFORMANCE ENVELOPE



# THE COMPACT LIGHTWEIGHT

## THE NEW MOTOR COMBINES A NUMBER OF OUTSTANDING FEATURES:

- Compact external-rotor motor.
- Aerodynamically optimised.
- High-efficiency motor with rare-earth magnets.
- Integrated controller.

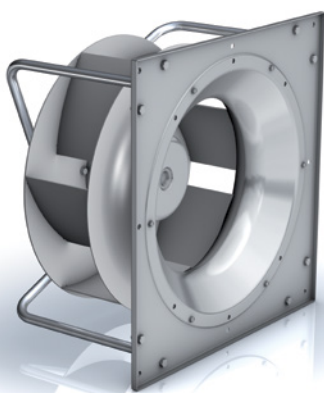


## THE NEW ADVANCED CONTROLLER CHARACTERISTICS:

- All single-phase models comply with EMC emission requirements for EN 61800-3 class C1; three-phase models comply with the emission requirements for class C2; both types comply with immunity requirements for class C3.
- Can operate in PID mode, adjusting fan speed to keep the measurement of a system parameter to the desired value, via 2 analogue inputs, and an external transducer.
- Operation at constant flow-rate can be achieved using the PID mode and a pressure transducer, connected with the pressure probe provided on the inlet nozzle.
- Speed control via external voltage signal.
- ModBus / RS485 serial interface.
- 10V and 24V power supply for external transducers.
- Master & slave mode, for stable operation in parallel.

## PPF RANGE

Motor \ Size	280	315	355	400	450	500	560	630
1.35 kW / 1 Ph	In production							
2.4 kW / 3 Ph	In production							
4 kW / 3 Ph				Available Q2/2019		Available Q4/2018		Q2/2019



## ALSO AVAILABLE RLE EVO

- External rotor motor (EC)
- Controlled with integrated electronics
- Impeller sizes 250 - 630 mm
- Max. motor input 3.5 kW