



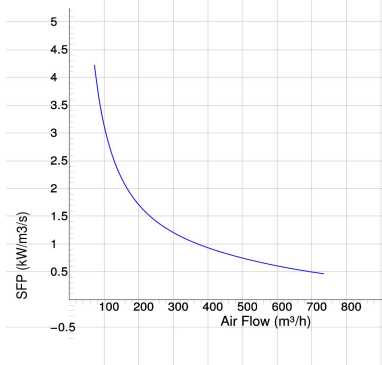
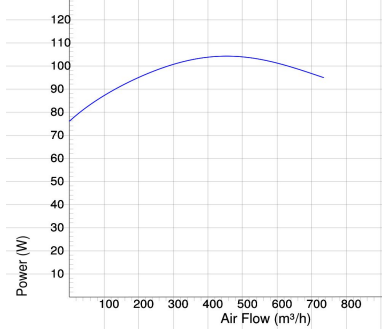
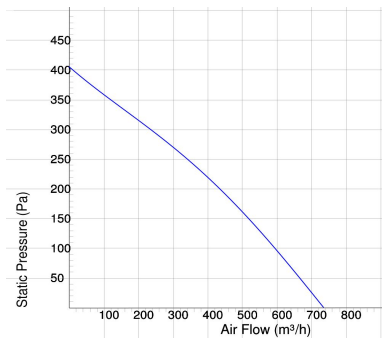
# RS 160 C

RS

- Exhaust wall fan with circular inlet connection.
- Designed for mounting on external wall.
- Impeller with backward curved blades.
- The external rotor motor has maintenance-free sealed ball-bearings.
- Integrated motor protection.
- Junction box has enclosure class IP 54.
- For speed control a transformer or electronic speed controller can be connected.
- Fan housing is manufactured from galvanized sheet steel.
- Black painted for high durability.

## Accessories

- VRDE 1,5
- VRS 1.0
- VRTE C
- LDC 160



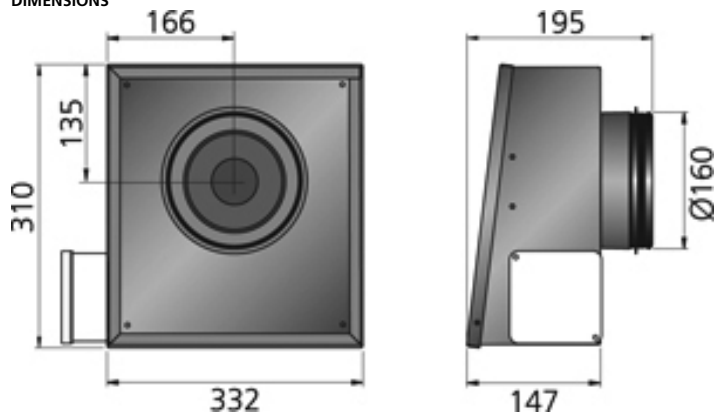
## TECHNICAL DATA

	7400010 RS 160 C man tp	7400012 RS 160 C aut tp
Voltage	230 V	230 V
Phase	1 ~	1 ~
Frequency	50 Hz	50 Hz
Power	104 W	104 W
Current	0.46 A	0.46 A
Speed	2480 r.p.m.	2480 r.p.m.
Max. temperature of transported air	65 °C	65 °C
Max. temperature of transported air when speed controlled	65 °C	65 °C
Sound pressure level at 3 m	64 dB(A)	64 dB(A)
Weight	5.2 kg	5.2 kg
Enclosure class	44 IP	44 IP
Insulation class, motor	F	F
Capacitor	3 µF	3 µF
Duct connection	160 mm	160 mm
Max. flow	734 m³/h	734 m³/h
Max. pressure	402 Pa	402 Pa
Voltage range	220-240 V	220-240 V

## SOUND DATA

	Flow (m³/h)	L <sub>wa</sub> tot dB (A)	63Hz	125Hz	250Hz	500Hz	1KHz	2KHz	4KHz	8KHz
1. Surrounding L <sub>w</sub> dB(A) 230V	493	71	47	44	60	67	66	64	58	46
1. Inlet L <sub>w</sub> dB(A) 230V	493	73	52	60	66	70	68	59	55	41

## DIMENSIONS



## Voltage steps

1
230V