



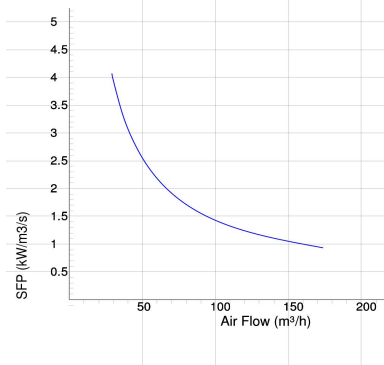
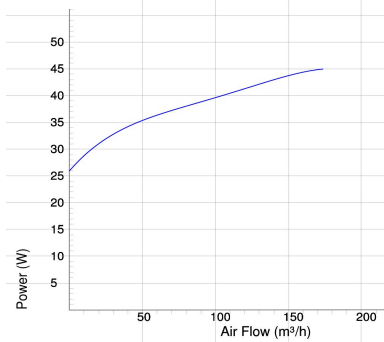
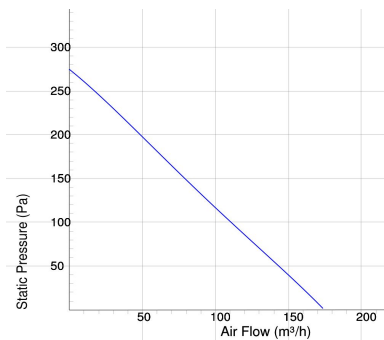
# RS 125 A

RS

- Exhaust wall fan with circular inlet connection.
- Designed for mounting on external wall.
- Impeller with backward curved blades.
- The external rotor motor has maintenance-free sealed ball-bearings.
- Integrated motor protection.
- Junction box has enclosure class IP 54.
- For speed control a transformer or electronic speed controller can be connected.
- Fan housing is manufactured from galvanized sheet steel.
- Black painted for high durability.

## Accessories

- VRDE 1,5
- VRS 0,5
- VRTE C
- LDC 125



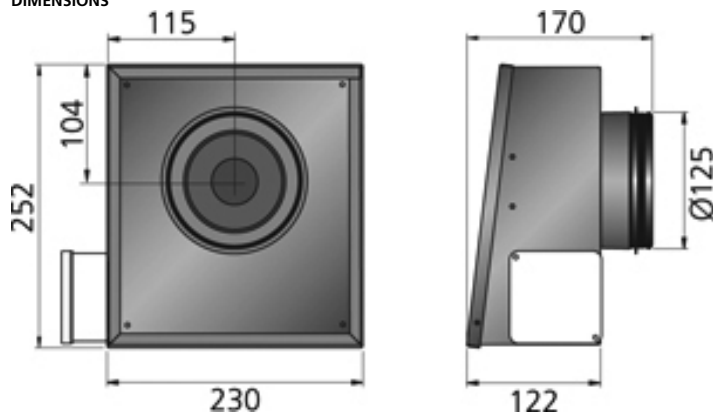
## TECHNICAL DATA

	7400001 RS 125 A man tp	7400003 RS 125 A aut tp
Voltage	230 V	230 V
Phase	1 ~	1 ~
Frequency	50 Hz	50 Hz
Power	45 W	45 W
Current	0.2 A	0.2 A
Speed	1400 r.p.m.	1400 r.p.m.
Max. temperature of transported air	60 °C	60 °C
Max. temperature of transported air when speed controlled	60 °C	60 °C
Sound pressure level at 3 m	55 dB(A)	55 dB(A)
Weight	3.4 kg	3.4 kg
Enclosure class	44 IP	44 IP
Insulation class, motor	F	F
Capacitor	3 µF	3 µF
Duct connection	125 mm	125 mm
Max. flow	180 m³/h	180 m³/h
Max. pressure	274 Pa	274 Pa
Voltage range	220-240 V	220-240 V

## SOUND DATA

	Flow (m³/h)	L <sub>wa</sub> tot dB (A)	63Hz	125Hz	250Hz	500Hz	1KHz	2KHz	4KHz	8KHz
1. Surrounding L <sub>w</sub> dB(A) 230V	126	63	47	41	50	57	59	56	46	38
1. Inlet L <sub>w</sub> dB(A) 230V	126	65	50	55	59	60	58	52	43	32

## DIMENSIONS



## Voltage steps

1
230V