



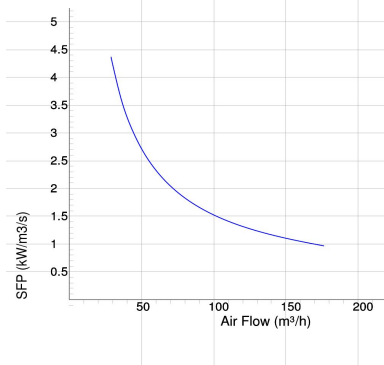
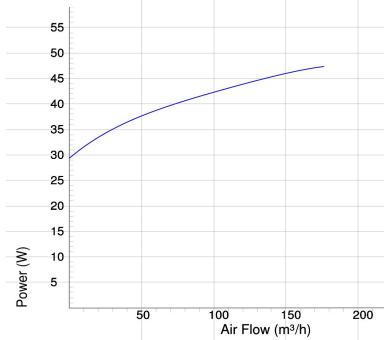
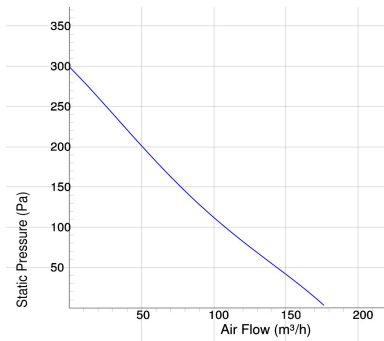
RS 100 A

RS

- Exhaust wall fan with circular inlet connection.
- Designed for mounting on external wall.
- Impeller with backward curved blades.
- The external rotor motor has maintenance-free sealed ball-bearings.
- Integrated motor protection.
- Junction box has enclosure class IP 54.
- For speed control a transformer or electronic speed controller can be connected.
- Fan housing is manufactured from galvanized sheet steel.
- Black painted for high durability.

Accessories

- VRDE 1,5
- VRS 0.5
- VRTE C
- LDC 100



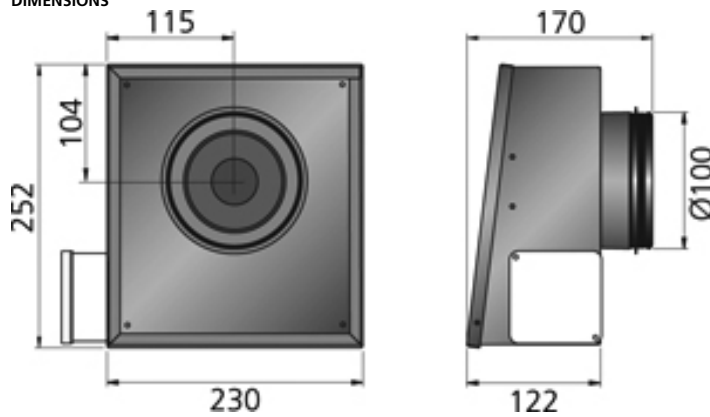
TECHNICAL DATA

	7400021 RS 100 A aut tp	7400026 RS 100 A man tp
Voltage	230 V	230 V
Phase	1 ~	1 ~
Frequency	50 Hz	50 Hz
Power	48 W	48 W
Current	0.21 A	0.21 A
Speed	1830 r.p.m.	1830 r.p.m.
Max. temperature of transported air	60 °C	60 °C
Max. temperature of transported air when speed controlled	60 °C	60 °C
Sound pressure level at 3 m	56 dB(A)	56 dB(A)
Weight	3.4 kg	3.4 kg
Enclosure class	44 IP	44 IP
Insulation class, motor	F	F
Capacitor	3 µF	3 µF
Duct connection	100 mm	100 mm
Max. flow	180 m³/h	180 m³/h
Max. pressure	298 Pa	298 Pa
Voltage range	220-240 V	220-240 V

SOUND DATA

	Flow (m³/h)	L _{wa} tot dB (A)	63Hz	125Hz	250Hz	500Hz	1KHz	2KHz	4KHz	8KHz
1. Surrounding Lw dB(A) 230V	104	64	30	39	49	57	61	57	51	43
1. Inlet Lw dB(A) 230V	104	69	60	62	63	63	62	56	51	45

DIMENSIONS



Voltage steps

1
230V