



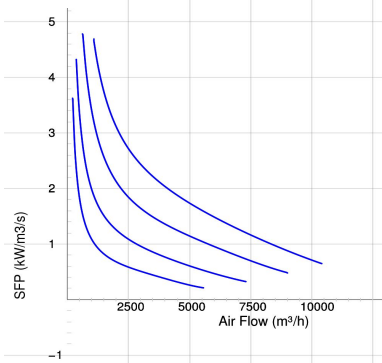
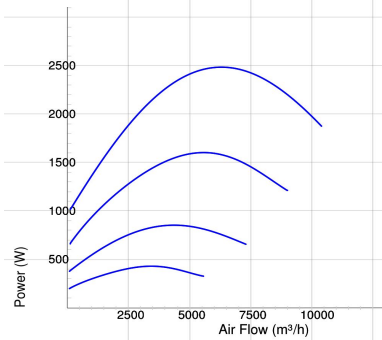
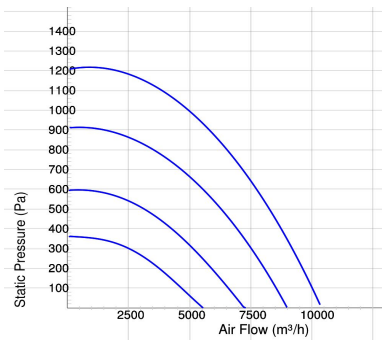
# RKB 800x500 E3 EC

## RKB EC

- Duct fan with rectangular connections.
- Proven performance and reliability.
- High capacity and very good efficiency.
- Impeller with backward curved blades.
- The external rotor motor has maintenance-free sealed ball-bearings and is very energy efficient.
- Speed controlling can be done with the built-in potentiometer, 0-10 V alt. external control.
- Integrated motor protection.
- Junction box has enclosure class IP 54.
- Fan housing is manufactured from galvanized sheet steel.
- Swing-out design to simplify the maintenance and cleaning of the impeller.
- The fan is intended to be installed in a duct system.
- When duct connected the fan can be installed outside or in damp environments.
- Easy installation in any position.

## Accessories

- Speed controller MS EC
- Pressure regulator CALAIR-PR-230V
- Pressure regulator FKP-R
- Dukstos 800x500



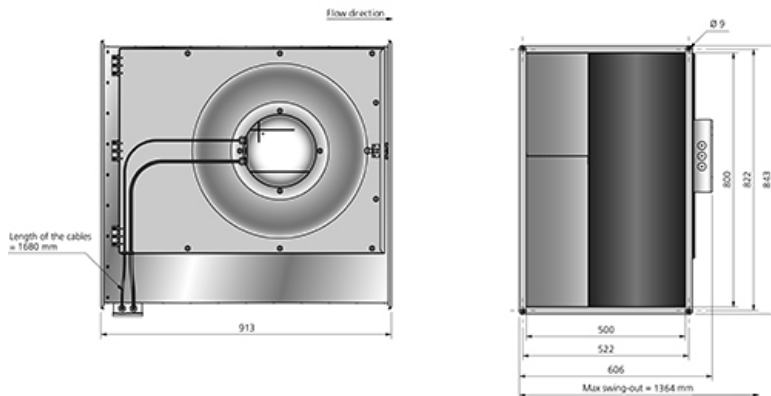
## TECHNICAL DATA

7480107 RKB 800x500 E3 EC	
Voltage	400 V
Phase	3 ~
Frequency	50/60 Hz
Power	2570 W
Current	3.92 A
Speed	1800 r.p.m.
Max. temperature of transported air	60 °C
Max. temperature of transported air when speed controlled	60 °C
Weight	65.3 kg
Enclosure class	54 IP
Insulation class, motor	F
Duct connection	800x500 mm
Max. flow	10404 m³/h
Max. pressure	1224 Pa
Voltage range	380-480 V

## SOUND DATA

	Flow (m³/h)	L <sub>WA</sub> tot dB (A)	63Hz	125Hz	250Hz	500Hz	1KHz	2KHz	4KHz	8KHz
4. Surrounding Lw dB(A) 10V	7945	80	57	70	78	70	64	55	53	50
4. Outlet Lw dB(A) 10V	7945	93	74	83	90	85	85	82	78	73
4. Inlet Lw dB(A) 10V	7945	88	69	80	86	78	74	71	68	68
3. Inlet Lw dB(A) 8.5V	7016	83	66	80	77	73	73	69	67	67
2. Inlet Lw dB(A) 7V	5680	78	62	75	70	67	67	64	62	63
1. Inlet Lw dB(A) 5.5V	4262	72	59	70	64	60	60	57	58	55

## DIMENSIONS



## Voltage steps

1	2	3	4
5.5V	7V	8.5V	10V