

RS 80 A

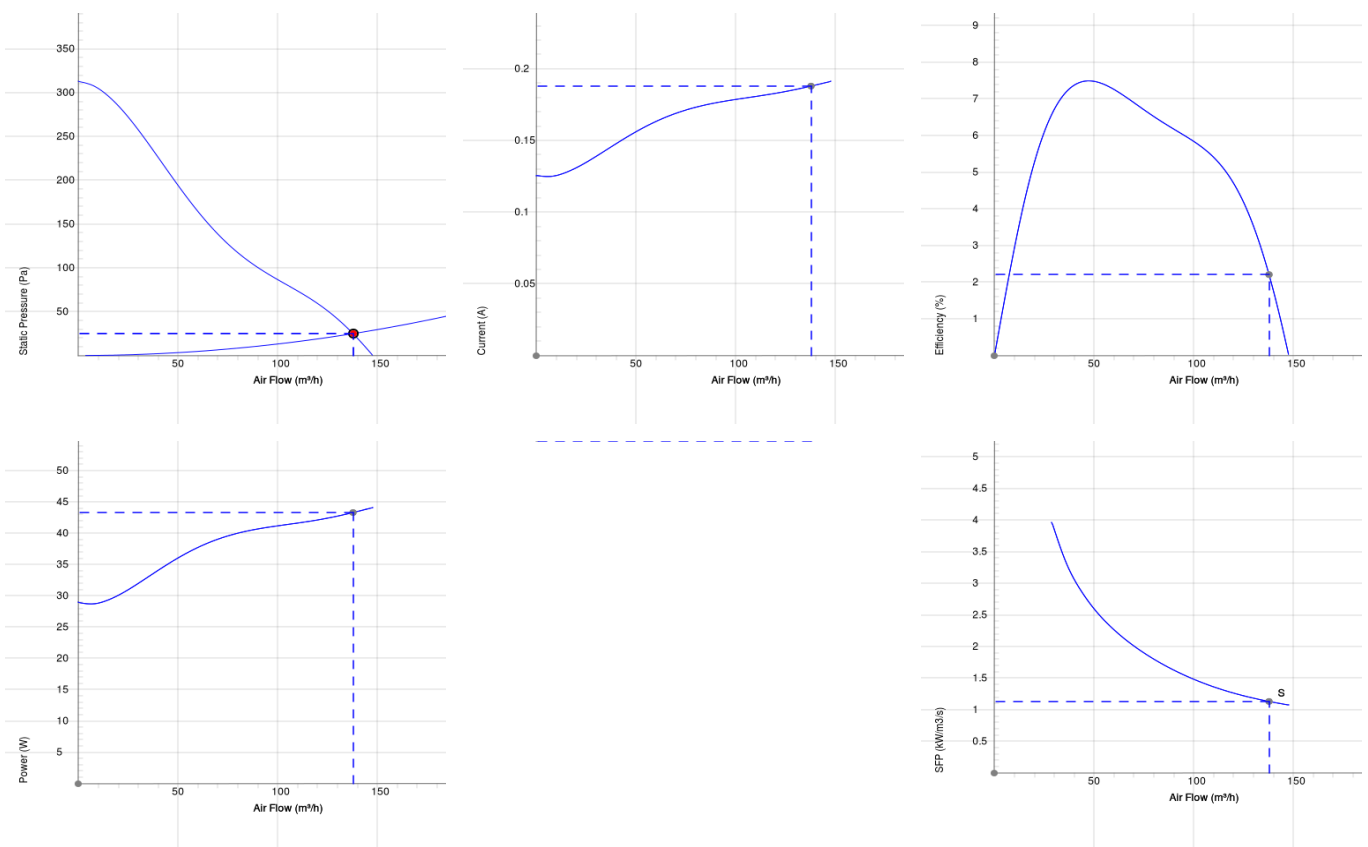


RS

- Exhaust wall fan with circular inlet connection.
- Designed for mounting on external wall.
- Impeller with backward curved blades.
- The external rotor motor has maintenance-free sealed ball-bearings.
- Integrated motor protection.
- Junction box has enclosure class IP 54.
- For speed control a transformer or electronic speed controller can be connected.
- Fan housing is manufactured from galvanized sheet steel.
- Black painted for high durability.



DIAGRAMS



Work Point

| Air Flow (m³/h) | Static Pressure (Pa) | Power (W) | Speed (r.p.m.) | Current (A) | Efficiency (%) | SFP (kW/m³/s) | Voltage (V) |
|-----------------|----------------------|-----------|----------------|-------------|----------------|---------------|-------------|
| 138 | 25 | 43.3 | 0 | 0.188 | 2.21 | 1.13 | 230 |

TECHNICAL DATA

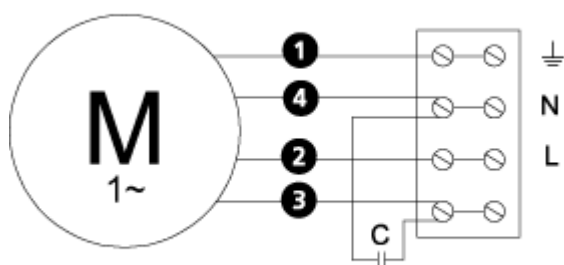
| Parameter | RS 80 A aut tp 7400019 | | RS 80 A man tp 7400024 | |
|---|---------------------------|-------------------|---------------------------|-------------------|
| | Value | Unit | Value | Unit |
| Voltage | 230 | V | 230 | V |
| Phase | 1 | ~ | 1 | ~ |
| Frequency | 50 | Hz | 50 | Hz |
| Power | 45 | W | 45 | W |
| Current | 0.2 | A | 0.2 | A |
| Speed | 1850 | r.p.m. | 1850 | r.p.m. |
| Max. temperature of transported air | 60 | °C | 60 | °C |
| Max. temperature of transported air when speed controlled | 60 | °C | 60 | °C |
| Sound pressure level at 3 m | 57 | dB(A) | 57 | dB(A) |
| Weight | 3.4 | kg | 3.4 | kg |
| Enclosure class | 44 | IP | 44 | IP |
| Insulation class, motor | F | | F | |
| Capacitor | 3 | µF | 3 | µF |
| Duct connection | 80 | mm | 80 | mm |
| Max. flow | 148 | m ³ /h | 148 | m ³ /h |
| Max. pressure | 313 | Pa | 313 | Pa |
| Voltage range | 220-240 | V | 220-240 | V |

ECODESIGN

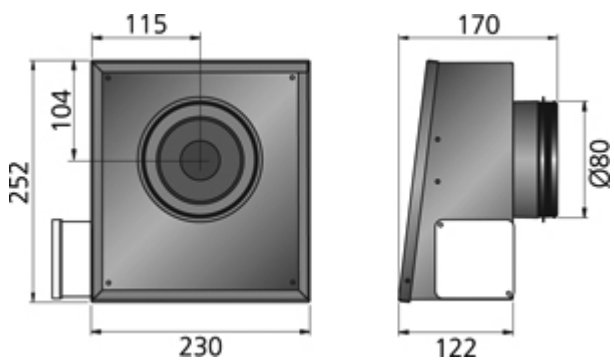
| Parameter | Value | Unit |
|---|--|-----------------------|
| (a) Manufacturer | Östberg | - |
| (b) Model code | RS 80 A | - |
| (c) SEC value | -2.9 | kWh/m ² |
| SEC class | F | - |
| (d) Declared type | RVU / UVU | - |
| (e) Type of drive | Multi-speed drive (accessory) | - |
| (f) Type of heat recovery | N/A | - |
| (g) Thermal efficiency | N/A | % |
| (h) Max. flow rate (@100Pa) | 90 | m ³ /h |
| (i) Power at max. flow rate | 41 | kW |
| (j) Sound power level | 64 | dB LwA |
| (k) Reference flow rate | 0.025 | m ³ /s |
| (l) Reference pressure difference | 100 | Pa |
| (m) SPI | 0.46 | W/(m ³ /h) |
| (n) Type of control | Manual control | - |
| (o) External (internal) leakage rate | N/A | % |
| (p) Mixing rate | N/A | - |
| (q) Visual filter warning | N/A | - |
| (r) Instruction supply/exhaust grilles | See manual | - |
| (s) Disassembly instructions | www.ostberg.com | - |
| (t) Airflow sensitivity | N/A | - |
| (u) Air tightness | N/A | m/s |
| (v) AEC | 1472 | kWh |
| (w) AHS average | 2005 | kWh |
| AHS warm | 907 | kWh |
| AHS cold | 3922 | kWh |

WIRING DIAGRAM

4040002



DIMENSIONS



ACCESSORIES

Electrical accessories



VRDE 1,5



VRS 0.5



VRTE C