

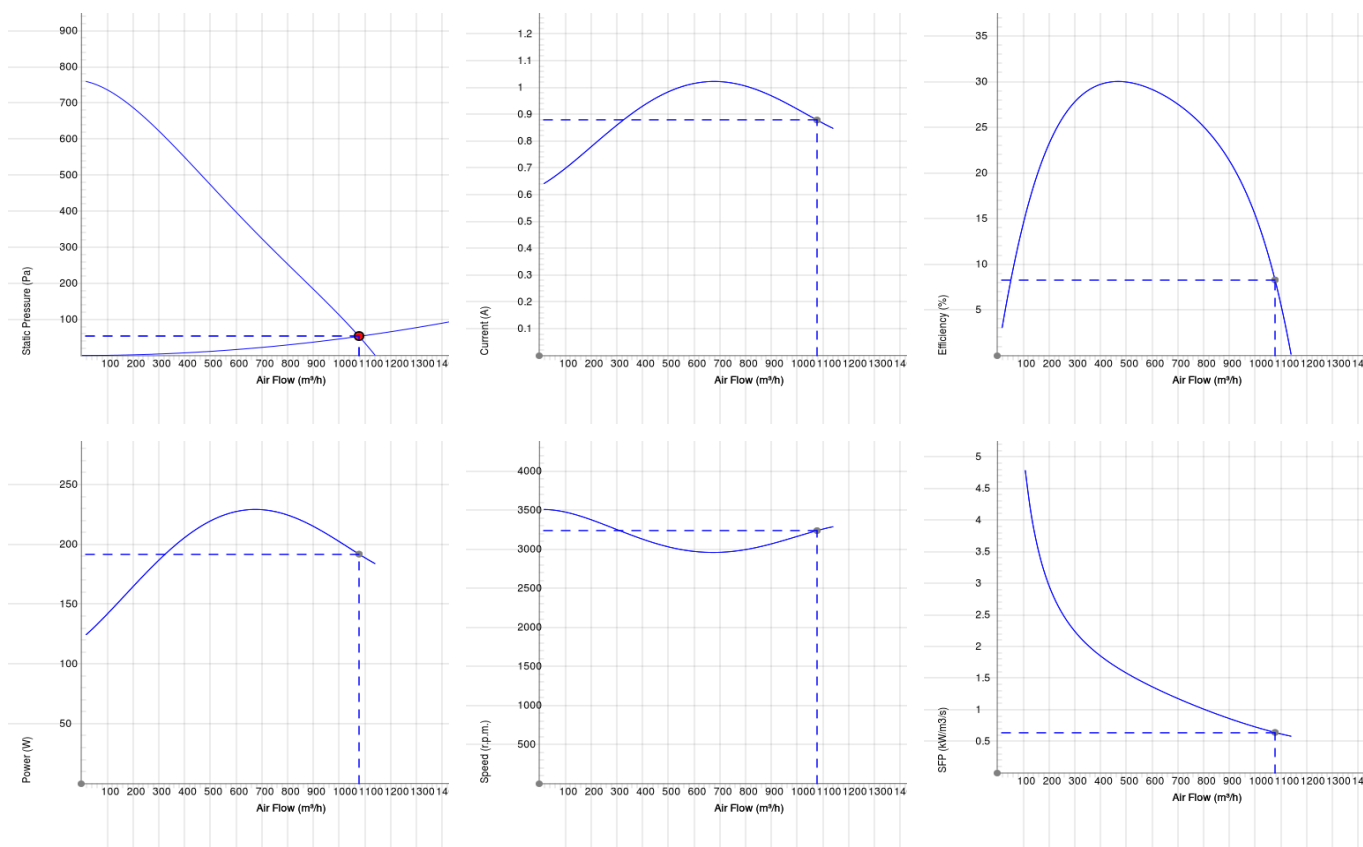
## CK 250 B ERP (50)/60HZ



### CK

- Duct fan with circular connection.
- Proven performance and reliability.
- Compact with high capacity and efficiency.
- Low sound levels.
- Impeller with backward curved blades.
- The external rotor motor has maintenance-free sealed ball-bearings.
- Integrated motor protection.
- Junction box has enclosure class IP 54.
- For speed control a transformer or electronic speed controller can be connected.
- Fan housing is manufactured from galvanized sheet steel.
- The fan is intended to be installed in a duct system.
- When duct connected the fan can be installed outside or in damp environments.
- Easy installation in any position.

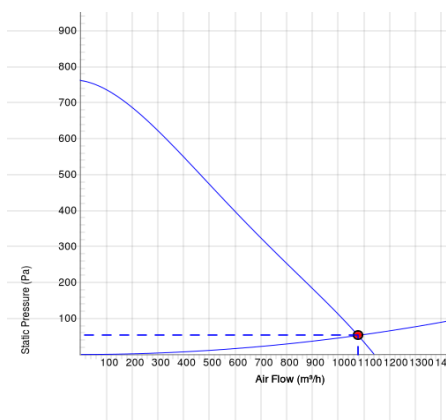
## DIAGRAMS



## Work Point

Air Flow (m³/h)	Static Pressure (Pa)	Power (W)	Speed (r.p.m.)	Current (A)	Efficiency (%)	SFP (kW/m³/s)	Voltage (V)
1077	53.1	192	3238	0.879	8.28	0.641	230

## SOUND DATA



	Tot	63	125	250	500	1k	2k	4k	8k
<span style="color: blue;">■</span> Inlet Lw dB(A)	79.1	55.9	62.6	70.0	72.2	73.7	70.5	68.0	70.3
<span style="color: blue;">■</span> Outlet Lw dB(A)	78.7	59.3	63.0	71.1	71.5	72.3	71.2	69.3	67.4
<span style="color: red;">■</span> Surrounding Lw dB(A)	57.3	28.8	35.1	44.4	51.9	52.1	49.8	48.7	42.6

## Work Point

Air Flow (m³/h) 1077	Static Pressure (Pa) 53.1	Power (W) 192	Speed (r.p.m.) 3238	Current (A) 0.879	Efficiency (%) 8.28	SFP (kW/m³/s) 0.641	Voltage (V) 230
-------------------------	------------------------------	------------------	------------------------	----------------------	------------------------	------------------------	--------------------

## TECHNICAL DATA

### CK 250 B ErP aut tp 7000066 (50)/60Hz

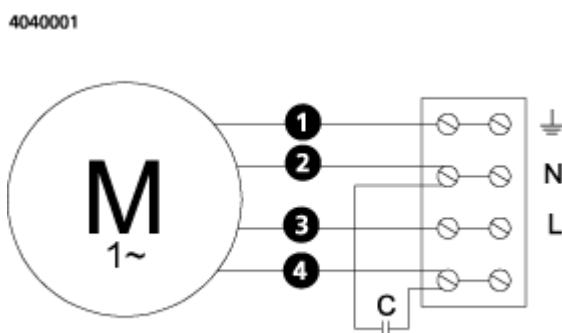
Parameter	Value	Unit
Voltage	230	V
Phase	1	~
Frequency	60	Hz
Optional frequency	50	Hz
Power	230	W
Current	1.03	A
Speed	2950	r.p.m.
Max. temperature of transported air	60	°C
Sound pressure level at 3 m	49	dB(A)
Weight	4.6	kg
Enclosure class	44	IP
Insulation class, motor	F	
Capacitor	5	μF
Duct connection	250	mm
Max. flow	1138	m <sup>3</sup> /h
Max. pressure	762	Pa
Voltage range	220-240	V

## ECODESIGN

Parameter	Value	Unit
(a) Manufacturer	Östberg	-
(b) Model code	CK 250 B ErP (50)/60Hz	-
(c) Declared type	NRVU / UVU	-
(d) Type of drive	Multi-speed drive	-
(e) Type of HRS	N/A	-
(f) Thermal efficiency	N/A	%
(g) Nominal flow rate	0.157	m <sup>3</sup> /s
(h) Effective power input	0.143	kW
(i) SFP int	N/A	W/(m <sup>3</sup> /s)
(j) Face velocity	3.2	m/s
(k) Nominal external pressure	337	Pa
(l) Internal pressure drop	N/A	Pa
(n) Static efficiency	43.0	%
(o) External (internal) leakage rate	0.23	%
(p) Filter classification	N/A	%
(q) Visual filter warning	N/A	-
(r) Sound power level	53	dB LwA
(s) Disassembly instructions	<a href="http://www.ostberg.com">www.ostberg.com</a>	-

## WIRING DIAGRAM

- Ⓜ = Fan Motor
- Ⓜ1 = Fan Motor
- Ⓜ2 = Fan Motor
- Ⓜ3 = Rotor Motor
- ① = Yellow/Green
- ② = Black
- ③ = Blue
- ④ = Brown
- ⑤ = White
- ⑥ = Orange
- ⑦ = Grey
- ⑧ = Red
- ⑨ = Green
- ⑩ = Violet
- ⑪ = Quick switch
- ⑫ = Yellow



## DIMENSIONS

