

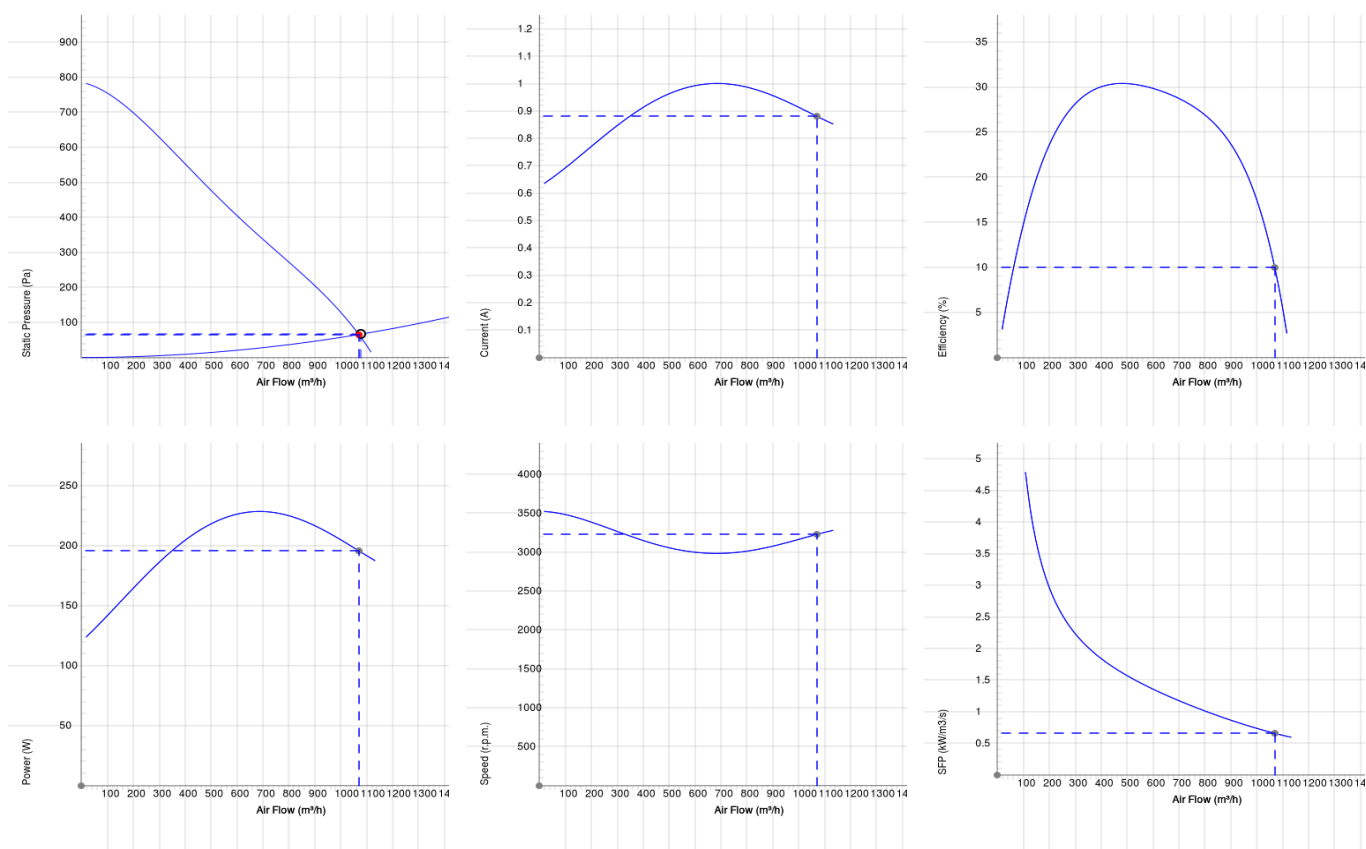
## CK 200 B ERP (50)/60HZ



### CK

- Duct fan with circular connection.
- Proven performance and reliability.
- Compact with high capacity and efficiency.
- Low sound levels.
- Impeller with backward curved blades.
- The external rotor motor has maintenance-free sealed ball-bearings.
- Integrated motor protection.
- Junction box has enclosure class IP 54.
- For speed control a transformer or electronic speed controller can be connected.
- Fan housing is manufactured from galvanized sheet steel.
- The fan is intended to be installed in a duct system.
- When duct connected the fan can be installed outside or in damp environments.
- Easy installation in any position.

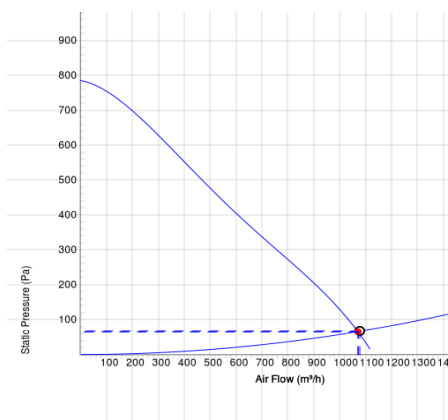
## DIAGRAMS



## Work Point

Air Flow (m³/h)	Static Pressure (Pa)	Power (W)	Speed (r.p.m.)	Current (A)	Efficiency (%)	SFP (kW/m³/s)	Voltage (V)
1070	65.6	196	3228	0.881	9.97	0.658	230

## SOUND DATA



	Tot	63	125	250	500	1k	2k	4k	8k
<span style="color: blue;">■</span> Inlet Lw dB(A)	78.4	56.4	65.3	71.9	73.8	71.1	67.0	65.9	65.8
<span style="color: blue;">■</span> Outlet Lw dB(A)	80.4	62.2	66.2	73.3	76.1	71.5	71.0	69.9	66.7
<span style="color: red;">■</span> Surrounding Lw dB(A)	57.0	37.4	41.1	46.0	49.9	52.3	48.8	49.1	41.7

## Work Point

Air Flow (m³/h) 1070	Static Pressure (Pa) 65.6	Power (W) 196	Speed (r.p.m.) 3228	Current (A) 0.881	Efficiency (%) 9.97	SFP (kW/m³/s) 0.658	Voltage (V) 230
-------------------------	------------------------------	------------------	------------------------	----------------------	------------------------	------------------------	--------------------

## TECHNICAL DATA

### CK 200 B ErP aut tp 7000057 (50)/60Hz

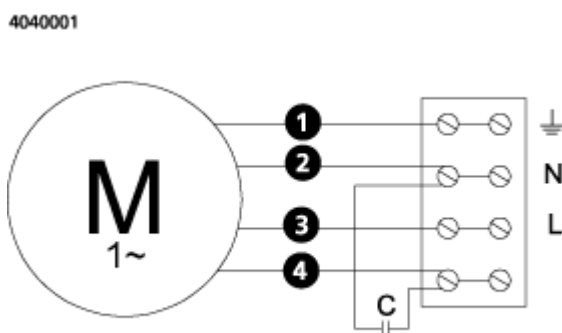
Parameter	Value	Unit
Voltage	230	V
Phase	1	~
Frequency	60	Hz
Optional frequency	50	Hz
Power	228	W
Current	1	A
Speed	2990	r.p.m.
Max. temperature of transported air	60	°C
Sound pressure level at 3 m	48	dB(A)
Weight	4.7	kg
Enclosure class	44	IP
Insulation class, motor	F	
Capacitor	5	μF
Duct connection	200	mm
Max. flow	1130	m <sup>3</sup> /h
Max. pressure	786	Pa
Voltage range	220-240	V

## ECODESIGN

Parameter	Value	Unit
(a) Manufacturer	Östberg	-
(b) Model code	CK 200 B ErP (50)/60Hz	-
(c) Declared type	NRVU / UVU	-
(d) Type of drive	Multi-speed drive	-
(e) Type of HRS	N/A	-
(f) Thermal efficiency	N/A	%
(g) Nominal flow rate	0.115	m <sup>3</sup> /s
(h) Effective power input	0.133	kW
(i) SFP int	N/A	W/(m <sup>3</sup> /s)
(j) Face velocity	3.7	m/s
(k) Nominal external pressure	397	Pa
(l) Internal pressure drop	N/A	Pa
(n) Static efficiency	43.0	%
(o) External (internal) leakage rate	0.24	%
(p) Filter classification	N/A	%
(q) Visual filter warning	N/A	-
(r) Sound power level	52	dB LwA
(s) Disassembly instructions	<a href="http://www.ostberg.com">www.ostberg.com</a>	-

## WIRING DIAGRAM

- Ⓜ = Fan Motor
- Ⓜ1 = Fan Motor
- Ⓜ2 = Fan Motor
- Ⓜ3 = Rotor Motor
- ① = Yellow/Green
- ② = Black
- ③ = Blue
- ④ = Brown
- ⑤ = White
- ⑥ = Orange
- ⑦ = Grey
- ⑧ = Red
- ⑨ = Green
- ⑩ = Violet
- ⑪ = Quick switch
- ⑫ = Yellow



## DIMENSIONS

