

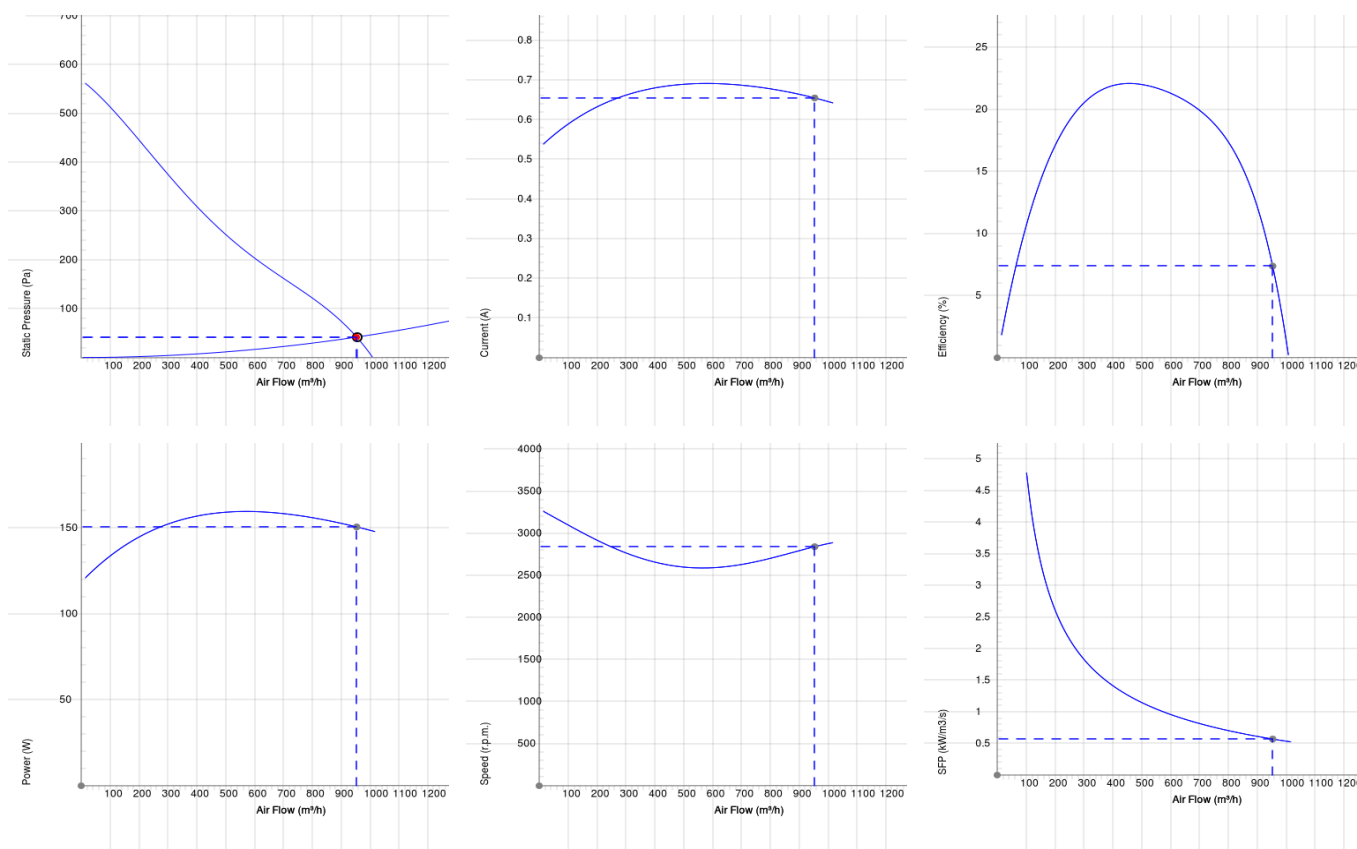
## CK 160 C (50)/60HZ



### CK

- Duct fan with circular connection.
- Proven performance and reliability.
- Compact with high capacity and efficiency.
- Low sound levels.
- Impeller with backward curved blades.
- The external rotor motor has maintenance-free sealed ball-bearings.
- Integrated motor protection.
- Junction box has enclosure class IP 54.
- For speed control a transformer or electronic speed controller can be connected.
- Fan housing is manufactured from galvanized sheet steel.
- The fan is intended to be installed in a duct system.
- When duct connected the fan can be installed outside or in damp environments.
- Easy installation in any position.

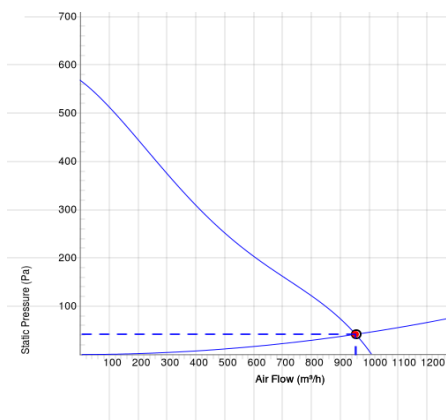
## DIAGRAMS



## Work Point

Air Flow (m³/h)	Static Pressure (Pa)	Power (W)	Speed (r.p.m.)	Current (A)	Efficiency (%)	SFP (kW/m³/s)	Voltage (V)
953	41.8	150	2839	0.654	7.36	0.568	230

## SOUND DATA



## Work Point

Air Flow (m <sup>3</sup> /h) 953	Static Pressure (Pa) 41.8	Power (W) 150	Speed (r.p.m.) 2839	Current (A) 0.654	Efficiency (%) 7.36	SFP (kW/m <sup>3</sup> /s) 0.568	Voltage (V) 230
--	---------------------------------	------------------	------------------------	----------------------	------------------------	-------------------------------------	--------------------

## TECHNICAL DATA

Parameter	CK 160 C aut tp 7000086		CK 160 C aut tp 7000050 (50)/60Hz	
	Value	Unit	Value	Unit
Voltage	230	V	230	V
Phase	1	~	1	~
Frequency	60	Hz	60	Hz
Optional frequency	50	Hz	50	Hz
Power	159	W	159	W
Current	0.69	A	0.69	A
Speed	2610	r.p.m.	2610	r.p.m.
Max. temperature of transported air	60	°C	60	°C
Max. temperature of transported air when speed controlled	60	°C	60	°C
Sound pressure level at 3 m	49	dB(A)	49	dB(A)
Weight	3.9	kg	3.9	kg
Enclosure class	44	IP	44	IP
Insulation class, motor	F		F	
Capacitor	3	µF	3	µF
Duct connection	160	mm	160	mm
Max. flow	1015	m <sup>3</sup> /h	1015	m <sup>3</sup> /h
Max. pressure	571	Pa	571	Pa
Voltage range	220-240	V	220-240	V

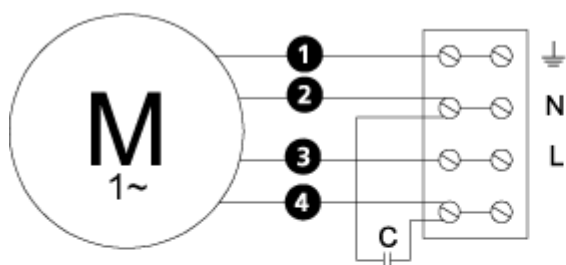
## ECODESIGN

Parameter	Value	Unit
(a) Manufacturer	Östberg	-
(b) Model code	CK 160 C (50)/60Hz	-
(c) Declared type	NRVU / UVU	-
(d) Type of drive	Multi-speed drive	-
(e) Type of HRS	N/A	-
(f) Thermal efficiency	N/A	%
(g) Nominal flow rate	0.094	m <sup>3</sup> /s
(h) Effective power input	0.105	kW
(i) SFP int	N/A	W/(m <sup>3</sup> /s)
(j) Face velocity	4.7	m/s
(k) Nominal external pressure	261	Pa
(l) Internal pressure drop	N/A	Pa
(n) Static efficiency	25.2	%
(o) External (internal) leakage rate	0.26	%
(p) Filter classification	N/A	%
(q) Visual filter warning	N/A	-
(r) Sound power level	56	dB LwA
(s) Disassembly instructions	<a href="http://www.ostberg.com">www.ostberg.com</a>	-

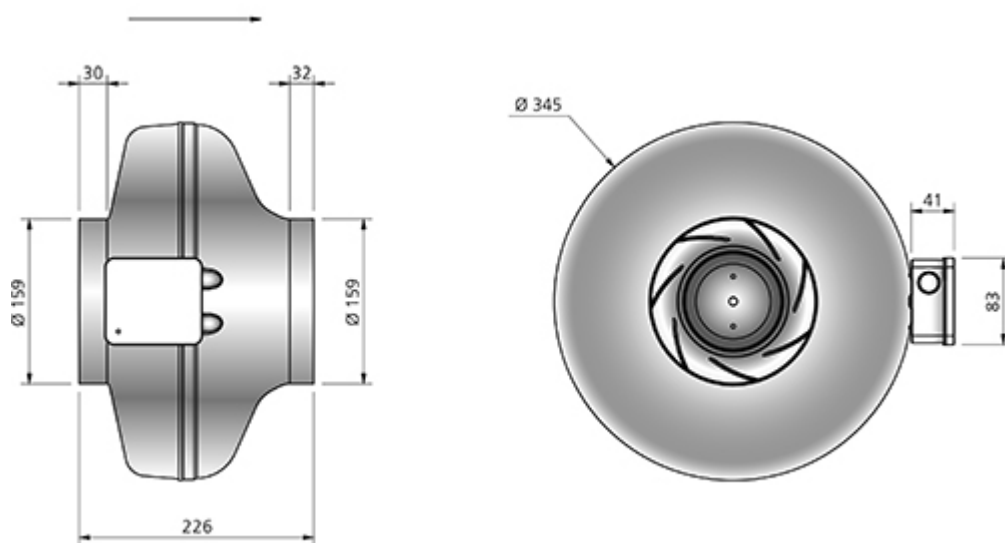
## WIRING DIAGRAM

- Ⓜ = Fan Motor
- Ⓜ1 = Fan Motor
- Ⓜ2 = Fan Motor
- Ⓜ3 = Rotor Motor
- ① = Yellow/Green
- ② = Black
- ③ = Blue
- ④ = Brown
- ⑤ = White
- ⑥ = Orange
- ⑦ = Grey
- ⑧ = Red
- ⑨ = Green
- ⑩ = Violet
- ⑪ = Quick switch
- ⑫ = Yellow

4040001



## DIMENSIONS





## ACCESSORIES

### Mechanical accessories



FLF 160



FLK 160



BSV 160



MK 160



VK 160



YG 160



LDC 160