

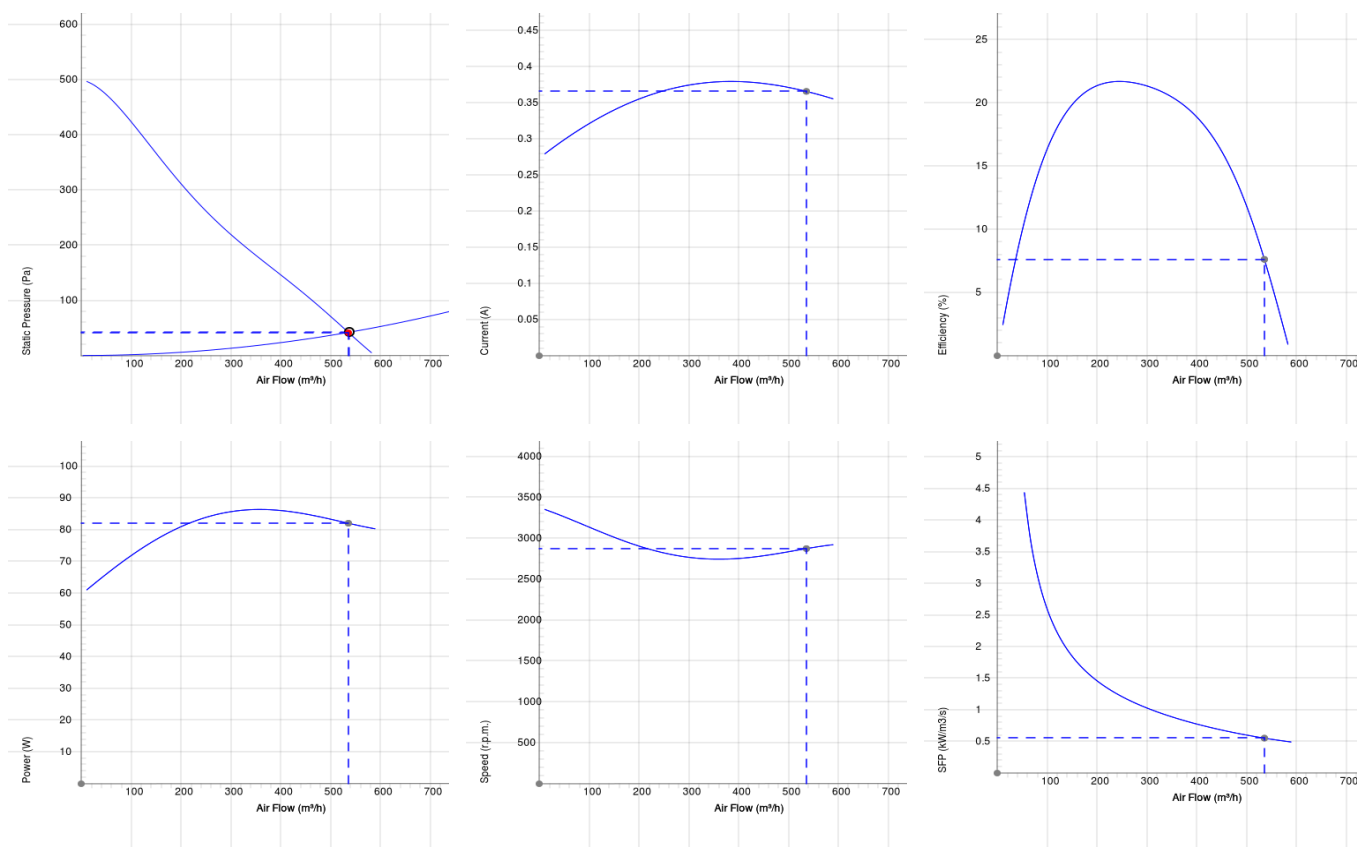
CK 160 B (50)/60HZ



CK

- Duct fan with circular connection.
- Proven performance and reliability.
- Compact with high capacity and efficiency.
- Low sound levels.
- Impeller with backward curved blades.
- The external rotor motor has maintenance-free sealed ball-bearings.
- Integrated motor protection.
- Junction box has enclosure class IP 54.
- For speed control a transformer or electronic speed controller can be connected.
- Fan housing is manufactured from galvanized sheet steel.
- The fan is intended to be installed in a duct system.
- When duct connected the fan can be installed outside or in damp environments.
- Easy installation in any position.

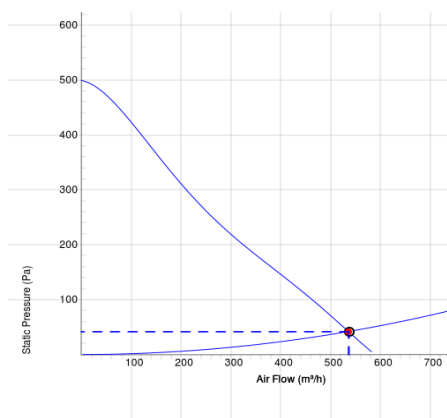
DIAGRAMS



Work Point

Air Flow (m³/h)	Static Pressure (Pa)	Power (W)	Speed (r.p.m.)	Current (A)	Efficiency (%)	SFP (kW/m³/s)	Voltage (V)
536	41.9	82	2872	0.366	7.6	0.551	230

SOUND DATA



	Tot	63	125	250	500	1k	2k	4k	8k
■ Inlet Lw dB(A)	70.0	43.7	56.6	63.0	66.3	63.0	59.8	53.6	47.7
■ Outlet Lw dB(A)	72.0	50.4	65.4	67.8	64.9	62.4	59.5	56.7	47.9
■ Surrounding Lw dB(A)	52.5	22.2	36.7	38.2	42.0	49.0	47.8	39.7	29.3

Work Point

Air Flow (m³/h) 536	Static Pressure (Pa) 41.9	Power (W) 82	Speed (r.p.m.) 2872	Current (A) 0.366	Efficiency (%) 7.6	SFP (kW/m³/s) 0.551	Voltage (V) 230
------------------------	------------------------------	-----------------	------------------------	----------------------	-----------------------	------------------------	--------------------

TECHNICAL DATA

CK 160 B aut tp 7000048 (50)/60Hz

Parameter	Value	Unit
Voltage	230	V
Phase	1	~
Frequency	60	Hz
Optional frequency	50	Hz
Power	86	W
Current	0.38	A
Speed	2760	r.p.m.
Max. temperature of transported air	60	°C
Max. temperature of transported air when speed controlled	60	°C
Sound pressure level at 3 m	46	dB(A)
Weight	2.7	kg
Enclosure class	44	IP
Insulation class, motor	F	
Capacitor	2	μF
Duct connection	160	mm
Max. flow	590	m ³ /h
Max. pressure	499	Pa
Voltage range	220-230	V

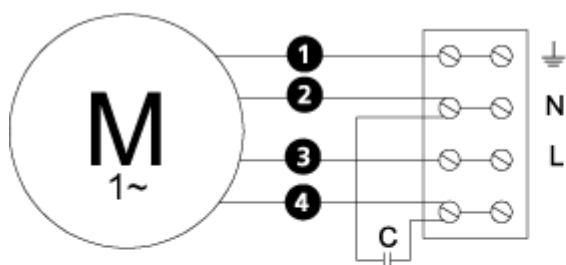
ECODESIGN

Parameter	Value	Unit
(a) Manufacturer	Östberg	-
(b) Model code	CK 160 B (50)/60Hz	-
(c) Declared type	NRVU / UVU	-
(d) Type of drive	Multi-speed drive	-
(e) Type of HRS	N/A	-
(f) Thermal efficiency	N/A	%
(g) Nominal flow rate	0.068	m ³ /s
(h) Effective power input	0.061	kW
(i) SFP int	N/A	W/(m ³ /s)
(j) Face velocity	3.4	m/s
(k) Nominal external pressure	208	Pa
(l) Internal pressure drop	N/A	Pa
(n) Static efficiency	20.8	%
(o) External (internal) leakage rate	0.46	%
(p) Filter classification	N/A	%
(q) Visual filter warning	N/A	-
(r) Sound power level	49	dB LwA
(s) Disassembly instructions	www.ostberg.com	-

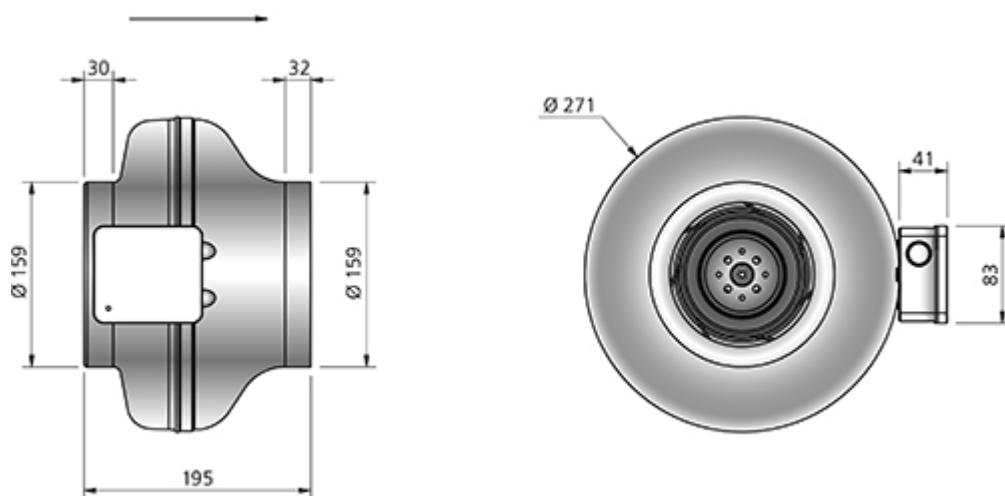
WIRING DIAGRAM

- Ⓜ = Fan Motor
- Ⓜ1 = Fan Motor
- Ⓜ2 = Fan Motor
- Ⓜ3 = Rotor Motor
- ① = Yellow/Green
- ② = Black
- ③ = Blue
- ④ = Brown
- ⑤ = White
- ⑥ = Orange
- ⑦ = Grey
- ⑧ = Red
- ⑨ = Green
- ⑩ = Violet
- ⑪ = Quick switch
- ⑫ = Yellow

4040001



DIMENSIONS



ACCESSORIES

Mechanical accessories



FLF 160



FLK 160



BSV 160



MK 160



VK 160



YG 160



LDC 160